

ERSATZTEILLISTE

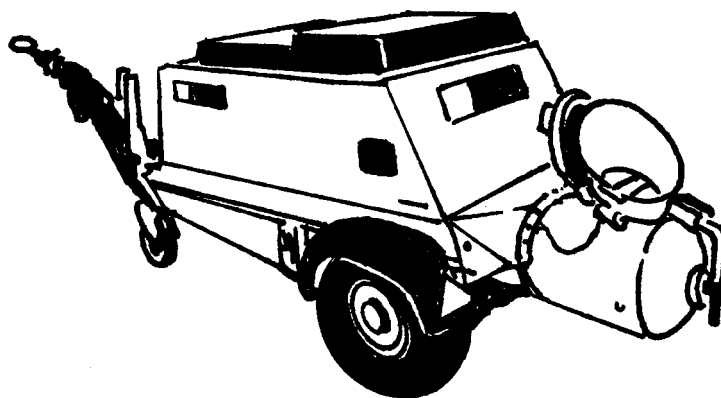
LISTE DE PIÈCES DÉTACHÉES

SPARE PART LIST



ESTRICH BOY

TRANS MIX



DC 260/22 – DC 260/54

M-300 000 1102

ERSATZTEILLISTE

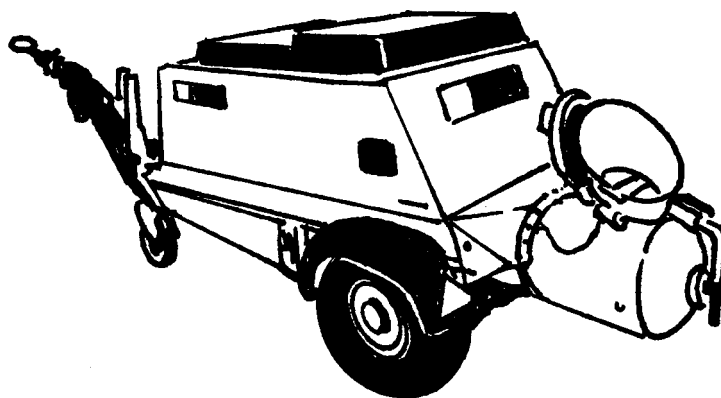
LISTE DE PIÈCES DÉTACHÉES

SPARE PART LIST



ESTRICH BOY

TRANS MIX

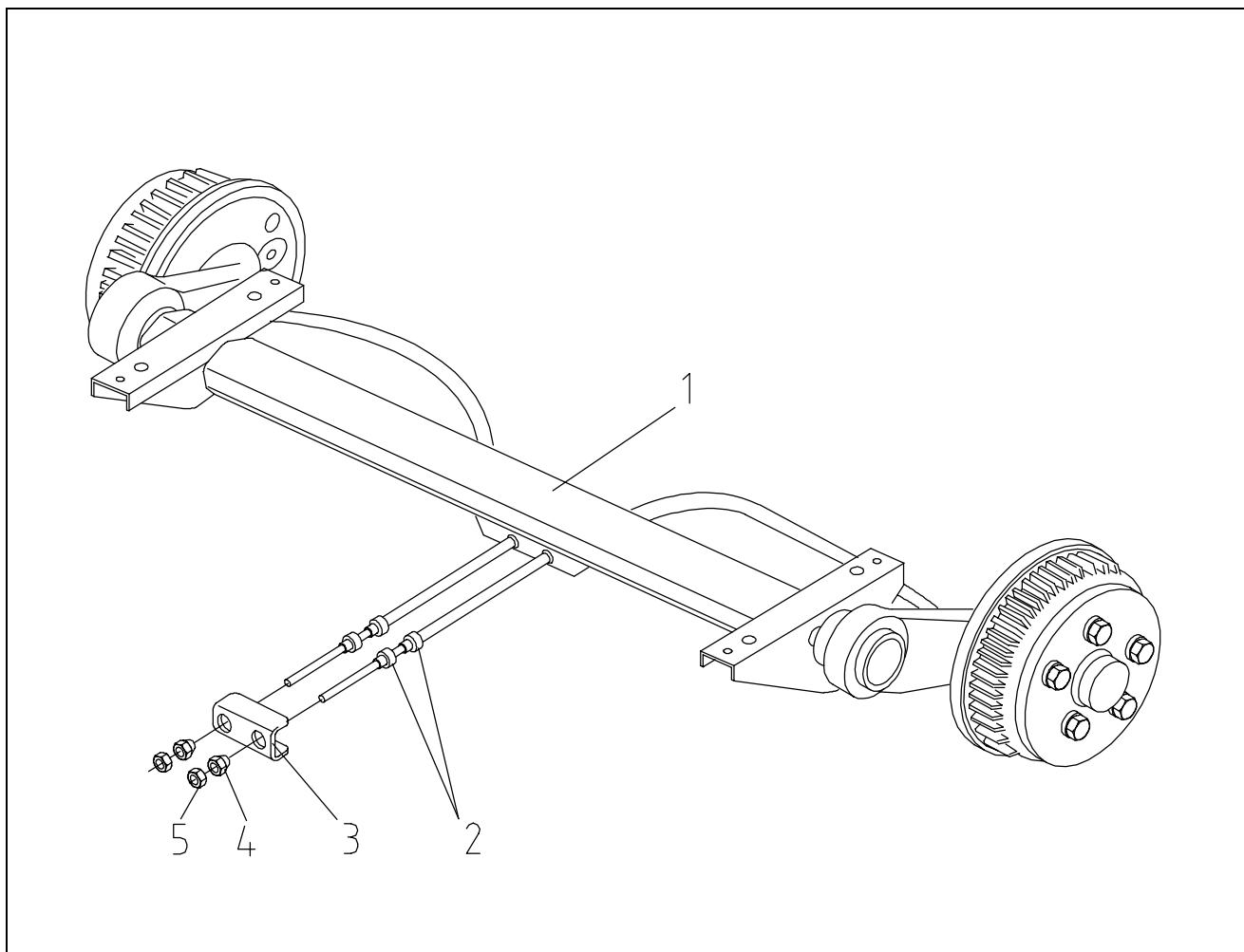


DC 260/22 – DC 260/54

M-300 000 1102

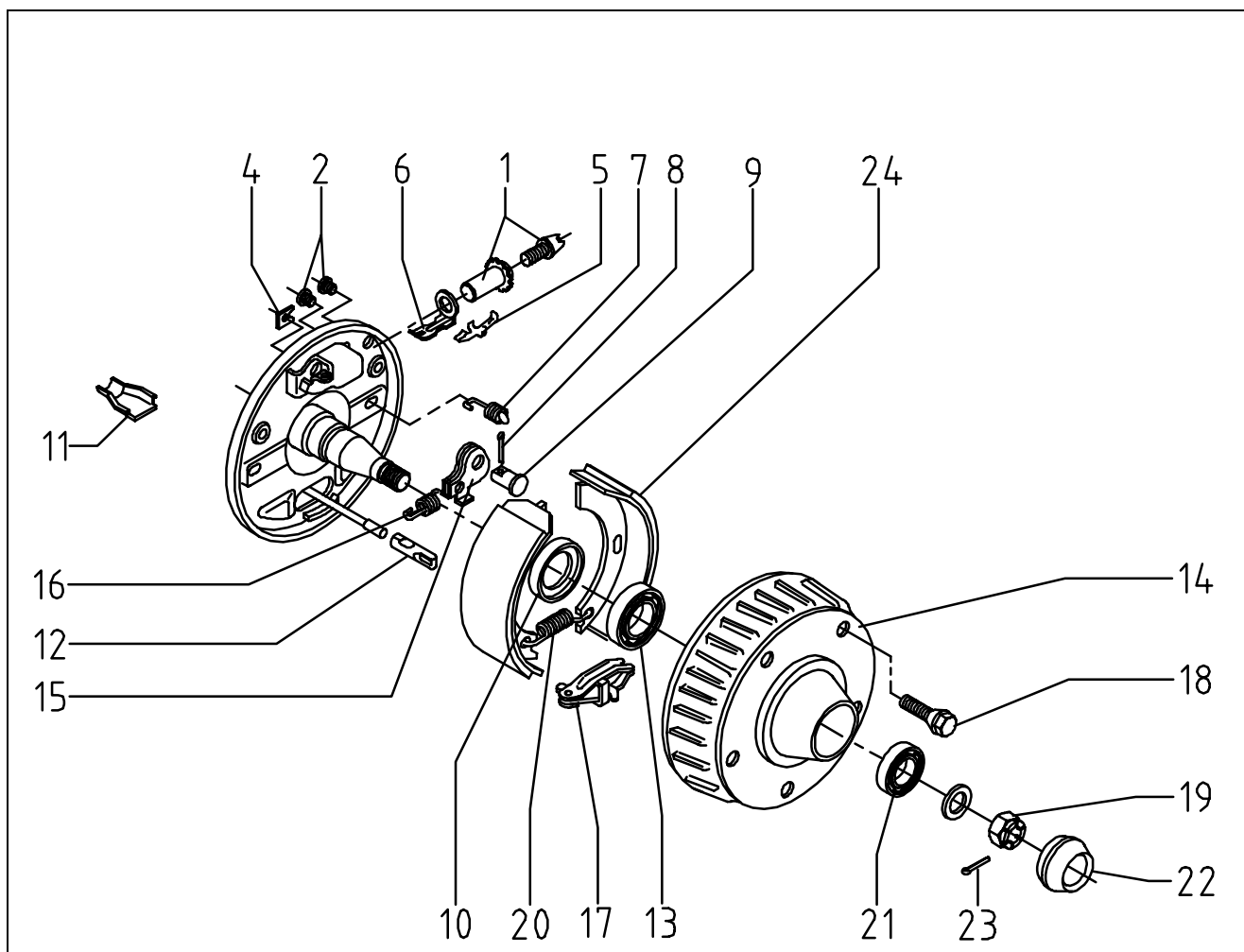


| BEZEICHNUNG DÉSIGNATION DESCRIPTION | DEUTSCH | FRANCAIS | ENGLISH |
|--|---|---|--|
| ARM | STANDARD-MASCHINE | TYPE STANDARD | STANDARD TYPE |
| ARMB | MASCHINE MIT BESCHICKER | MACHINE AVEC SKIP | MACHINE WITH FEEDER |
| ARMBS | MASCHINE MIT BESCHICKER UND SCHRAPPER | MACHINE AVEC SKIP ET SCRAPETTE | MACHINE WITH FEEDER AND SCRAPER |
| ↓06/95 | VERWENDET BIS 06/95 | UTILISE JUSQU' A 06/95 | USED TILL 06/95 |
| ↑08/95 | VERWENDET AB 08/95 | UTILISE A PARTIR DE 08/95 | USED AS FROM 08/95 |
| A1 A3 | KESSELVERSCHLUSS OEFFNET ZUR HAUBE | FERMETURE DE LA CUVE OUVRIE VERS LE CAPOT | SEAL FOR VESSEL OPENS IN DIRECTION OF HOOD |
| A2 | KESSELVERSCHLUSS OEFFNET ZUR SEITE | FERMETURE DE LA CUVE OUVRIE SUR LE COTE | SEAL FOR VESSEL OPENS LATERAL |
| M | MITTENABGANG DES KESSELS | SORTIE MEDIANE DE LA CUVE | OUTLET CENTRICAL OF VESSEL |



BILD, DESSIN, PICTURE: 43003.WMF

| POS | ART-NR | BEZEICHNUNG | ST | POS | ART-NR. | BEZEICHNUNG | ST |
|-----|--------------|---------------------------------|-----|-----|--------------|---------------------------------|-----|
| POS | NO.D'ARTICLE | DÉSIGNATION | QTÉ | POS | NO.D'ARTICLE | DÉSIGNATION | QTÉ |
| REF | ARTICLE NO | DESCRIPTION | QTY | REF | ARTICLE NO | DESCRIPTION | QTY |
| 1 | M2244685000 | ACHSE B1600-1 DC260/22-43 O.B/S | 1 | 1 | M2244685000 | AXE B1600-1 ARM | 1 |
| 2 | M2299709000 | R-BREMSSEIL 770/980 M8-SKH | 2 | 2 | M2299709000 | CABLE DE FREIN 770/980 M8-SKH | 2 |
| 3 | M2208889002 | ANSCHLUSSPROFIL F. R-BREMSSEIL | 1 | 3 | M2208889002 | ENTRETOISE | 1 |
| 4 | M2208889005 | KUGELMUTTER M8 F. R-BREMSSEIL | 2 | 4 | M2208889005 | ECROU ARRONDI M8 | 2 |
| 5 | M5234080002 | MUTTER D 934-8 M 8 VERZINKT | 2 | 5 | M5234080002 | ECROU, D 934-8 M 8 GALV | 2 |
| 1 | M2244685000 | AXE B1600-1 ARM | 1 | 1 | M2244685000 | AXLE B1600-1 ARM | 1 |
| 2 | M2299709000 | WHEEL BRAKE ROPE 770/980 M8-SKH | 2 | 2 | M2299709000 | WHEEL BRAKE ROPE 770/980 M8-SKH | 2 |
| 3 | M2208889002 | CONNECTING PROFILE | 1 | 3 | M2208889002 | CONNECTING PROFILE | 1 |
| 4 | M2208889005 | DOME NUT | 2 | 4 | M2208889005 | DOME NUT | 2 |
| 5 | M5234080002 | NUT, GALV. D 934-8 M8 | 2 | 5 | M5234080002 | NUT, GALV. D 934-8 M8 | 2 |



BILD, DESSIN, PICTURE: 43040.WMF

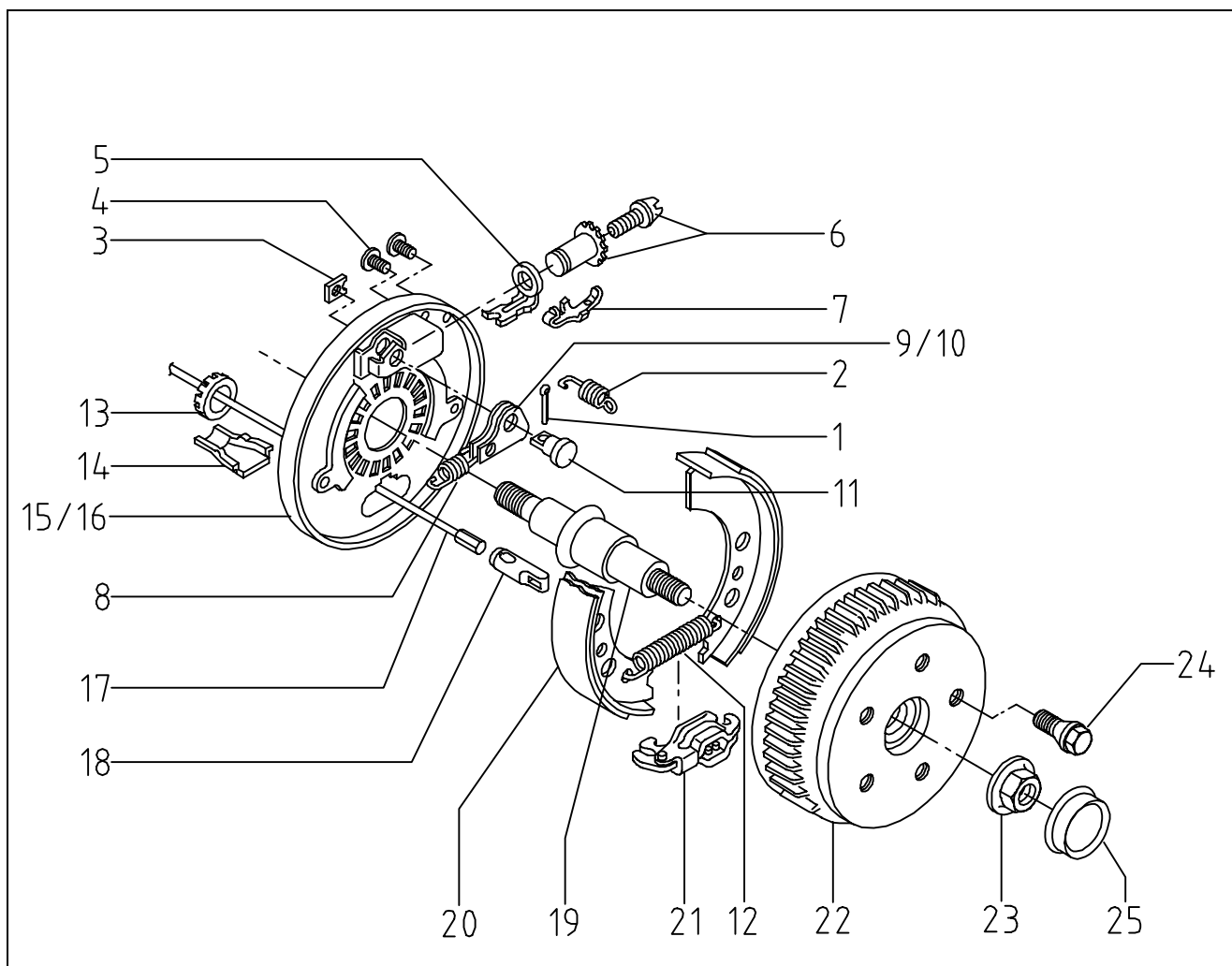
| POS | ART-NR | BEZEICHNUNG | ST | POS | ART-NR. | BEZEICHNUNG | ST |
|-----|--------------|--|-----|-----|--------------|--|-----|
| POS | NO.D'ARTICLE | DÉSIGNATION | QTÉ | POS | NO.D'ARTICLE | DÉSIGNATION | QTÉ |
| REF | ARTICLE NO | DESCRIPTION | QTY | REF | ARTICLE NO | DESCRIPTION | QTY |
| 1 | M2218737080 | NACHSTELL-MUTTER KPL. 2-TEILIG | 1 | 24 | M2384509000 | BREMSBACKE 2361 STARK F. B1600-1 ACHSE | 2 |
| 2 | M2270090411 | STOPFEN 10MM | 2 | 1 | M2218737080 | ECROU DE BLOCAGE CPL | 1 |
| 4 | M2238261002 | ABDECKBLECH ARM/SVAC 3,0+4,0 | 2 | 2 | M2270090411 | BOUCHON 10MM | 2 |
| 5 | M2368405000 | BLATTFEDER ARM/DC 260/3 + 4 | 1 | 4 | M2238261002 | TOLE DE RECOUVREMENT | 2 |
| 6 | M2368361000 | DRUCKBÜGEL ARM | 1 | 5 | M2368405000 | RESSORT A LAME ARM | 1 |
| 7 | M2208880003 | DRUCKFEDER SVAC 3,0+4,0A/RM | 2 | 6 | M2368361000 | ETRIER DE PRESSION | 1 |
| 8 | M5394040202 | SPLINT D 94 4,0X20 VERZ. | 1 | 7 | M2208880003 | RESSORT A PRESSION | 2 |
| 9 | M2368651000 | LAGERBOLZEN ARM/DC 260/3+4 | 1 | 8 | M5394040202 | GOUPILLE D94 4,0X20 GALV. | 1 |
| 10 | M4305507510 | SIMMERRING BA 55X 75X 10 | 1 | 9 | M2368651000 | BOULON DE PALIER | 1 |
| 11 | M2371387000 | SCHALE ARM/DC 260/3+4 | 2 | 10 | M4305507510 | JOINT D'ARBRE | 1 |
| 12 | M2371388000 | EINHÄNGEÖSE ARM/AC 3,0+4,0 | 1 | 11 | M2371387000 | COUPELLE ARM | 2 |
| 13 | M5420320063 | KEGEL-ROLLENLAGER 32006 X | 1 | 12 | M2371388000 | OREILLE | 1 |
| 14 | M2368732000 | BREMSTRO.AC/ARM 3+4,0/22+33+43 | 1 | 13 | M5420320063 | PALIER A ROULEAUX CONIQUES | 1 |
| 15 | M2218737070 | ÜBERSETZUNGSHABEL/F+A3,0+4,0 | 1 | 14 | M2368732000 | TAMBOUR DE FREIN | 1 |
| 16 | M2218737003 | ZUGFEDER / SVAC 3,0+4,0 | 1 | 15 | M2218737070 | LEVIER DE TRANSMISSION | 1 |
| 17 | M2218737040 | SPREIZSCHLOSS AUSF.A FUER TYP 2361 STARK | 1 | 16 | M2218737003 | RESSORT DE TRACTION | 1 |
| 18 | M2208167020 | KUGELRADSCHRAUBE M12X1,5 | 5 | 17 | M2218737040 | SERRURE A SEGMENTS EXTENSIBLES | 1 |
| 19 | M5237240150 | KRONENMUTTER FLA D 937 M24X1,5 | 1 | 18 | M2208167020 | BOULON DE ROUE | 5 |
| 20 | M2208200007 | ZUGFEDER DE 2,4G | 1 | 19 | M5237240150 | ECROU CRENELE | 1 |
| 21 | M5425013497 | KEGELROLLENLAGER KLM | 1 | 20 | M2208200007 | RESSORT DE TRACTION | 1 |
| 22 | M2268781004 | FETTKAPPE 1600KG/ARM | 1 | 21 | M5425013497 | PALIER A ROULEAUX CONIQUES KLM | 1 |
| 23 | M5394050450 | SPLINT D 94 5,0X45 | 1 | 22 | M2268781004 | CHAPE DE FREIN | 1 |

Ersatzteilliste, liste des pièces détachées, spare part list

**H01 RADBREMSE / ROUE FREIN / WHEEL BRAKE
TYPE 2361 ALT, ANCIEN, OLD / DC 260/43 ARM ↓06/95**



| POS | ART-NR | BEZEICHNUNG | ST | POS | ART-NR. | BEZEICHNUNG | ST |
|-----|--------------|---------------------------------|-----|-----|--------------|-------------|-----|
| POS | NO.D'ARTICLE | DÉSIGNATION | QTÉ | POS | NO.D'ARTICLE | DÉSIGNATION | QTÉ |
| REF | ARTICLE NO | DESCRIPTION | QTY | REF | ARTICLE NO | DESCRIPTION | QTY |
| 23 | M5394050450 | CLAVETTE 5.0X45 DIN94 | 1 | | | | |
| 24 | M2384509000 | MACHOIRE DE FREIN | 2 | | | | |
| 1 | M2218737080 | ADJUSTING NUT CPL | 1 | | | | |
| 2 | M2270090411 | STOPPER, 10MM | 2 | | | | |
| 4 | M2238261002 | COVERPLATE | 2 | | | | |
| 5 | M2368405000 | LEAF SPRING ARM FOR WHEEL BRAKE | 1 | | | | |
| 6 | M2368361000 | PRESS BRACKET FOR WHEEL BRAKE | 1 | | | | |
| 7 | M2208880003 | COMPRESSION SPRING | 2 | | | | |
| 8 | M5394040202 | SPLIT-PIN D94 4.0X20 GALV. | 1 | | | | |
| 9 | M2368651000 | BEARING BOLT | 1 | | | | |
| 10 | M4305507510 | SHAFT SEAL | 1 | | | | |
| 11 | M2371387000 | SHELL ARM | 2 | | | | |
| 12 | M2371388000 | EYE | 1 | | | | |
| 13 | M5420320063 | TAPER ROLLER BEARING | 1 | | | | |
| 14 | M2368732000 | BRAKE DRUM | 1 | | | | |
| 15 | M2218737070 | TRANSMISSION LEVER | 1 | | | | |
| 16 | M2218737003 | TENSION SPRING | 1 | | | | |
| 17 | M2218737040 | SPREAD LOCK TYPE 2361 | 1 | | | | |
| 18 | M2208167020 | WHEEL SCREW, BALL HEAD | 5 | | | | |
| 19 | M5237240150 | CASTEL NUT | 1 | | | | |
| 20 | M2208200007 | DRIVING SPRING | 1 | | | | |
| 21 | M5425013497 | TAPERED ROLLER BEARING KML | 1 | | | | |
| 22 | M2268781004 | GREASE CAP | 1 | | | | |
| 23 | M5394050450 | SPLIT- PIN 5.0X45 DIN94 | 1 | | | | |
| 24 | M2384509000 | BRAKE SHOES | 2 | | | | |



BILD, DESSIN, PICTURE: 43041.WMF

| POS | ART-NR | BEZEICHNUNG | ST | POS | ART-NR. | BEZEICHNUNG | ST |
|-----|--------------|---------------------------------------|-----|-----|--------------|---|-----|
| POS | NO.D'ARTICLE | DÉSIGNATION | QTÉ | POS | NO.D'ARTICLE | DÉSIGNATION | QTÉ |
| REF | ARTICLE NO | DESCRIPTION | QTY | REF | ARTICLE NO | DESCRIPTION | QTY |
| 1 | M5394040202 | SPLINT D 94 4,0X20 VERZ. | 1 | 22 | M2257319400 | BREMSTROM. MONT.573194,2361 112X5 M12X1.5 | 1 |
| 2 | M2208880003 | DRUCKFEDER SVAC 3,0+4,0A/RM | 2 | 23 | M2258250600 | ACHSMUTTER M25 | 1 |
| 3 | M2238261002 | ABDECKBLECH ARM/SVAC 3,0+4,0 | 2 | 24 | M2208167020 | KUGELRADSCHRAUBE M12X1,5 | 5 |
| 4 | M2270090411 | STOPFEN 10MM | 2 | 25 | M2258250500 | FETTKAPPE 65MM DURCHM. | 1 |
| 5 | M2368361000 | DRUCKBÜGEL ARM | 1 | 1 | M5394040202 | GOUPILLE D94 4,0X20 GALV. | 1 |
| 6 | M2218737080 | NACHSTELL-MUTTER KPL. 2-TEILIG | 1 | 2 | M2208880003 | RESSORT A PRESSION | 2 |
| 7 | M2368405000 | BLATTFEDER ARM/DC 260/3 + 4 | 1 | 3 | M2238261002 | TOLE DE RECOUVREMENT | 2 |
| 8 | M2218737003 | ZUGFEDER / SVAC 3,0+4,0 | 1 | 4 | M2270090411 | BOUCHON 10MM | 2 |
| 9 | M2257138600 | RÜCKMATIKHEBEL LINKS | 1 | 5 | M2368361000 | ETRIER DE PRESSION | 1 |
| 10 | M2257138700 | RÜCKMATIKHEBEL RECHTS | 1 | 6 | M2218737080 | ECROU DE BLOCAGE CPL | 1 |
| 11 | M2368651000 | LAGERBOLZEN ARM/DC 260/3+4 | 1 | 7 | M2368405000 | RESSORT A LAME ARM | 1 |
| 12 | M2208200007 | ZUGFEDER DE 2,4G | 1 | 8 | M2218737003 | RESSORT DE TRACTION | 1 |
| 13 | M2371389000 | KAPPE | 1 | 9 | M2257138600 | LEVIER DE FREIN GAUCHE | 1 |
| 14 | M2371387000 | SCHALE ARM/DC 260/3+4 | 2 | 10 | M2257138700 | LEVIER DE FREIN, DROITE | 1 |
| 15 | M2257237200 | BREMSSCHILD LINKSGESCHWEISST | 1 | 11 | M2368651000 | BOULON DE PALIER | 1 |
| 16 | M2257237300 | BREMSSCHILD RECHTSGESCHWEISST | 1 | 12 | M2208200007 | RESSORT DE TRACTION | 1 |
| 17 | M2241107000 | RADBREMSEIL 800/1060 2,5 TO | 1 | 13 | M2371389000 | COUVERCLE | 1 |
| 18 | M2260426200 | EINHÄNGEÖSE | 1 | 14 | M2371387000 | COUPELLE ARM | 2 |
| 19 | M2258254100 | ACHSSTUMMEL | 1 | 15 | M2257237200 | BOUCLIER DE FREIN, SOUDE, GAUCHE | 1 |
| 20 | M2384509000 | BREMSSACK 2361 STARK F. B1600-1 ACHSE | 2 | 16 | M2257237300 | BOUCLIER DE FREIN, SOUDE, DROITE | 1 |
| 21 | M2257151000 | SPREIZSCHLOSS | 1 | 17 | M2241107000 | CABLE DE FREIN | 1 |
| | | | | 18 | M2260426200 | OREILLE | 1 |

Ersatzteilliste, liste des pièces détachées, spare part list
H01 RADBREMSE / ROUE FREIN / WHEEL BRAKE
TYPE 2361 NEU, NOUVEAU, NEW / DC 260/43 ARM ↑06/95



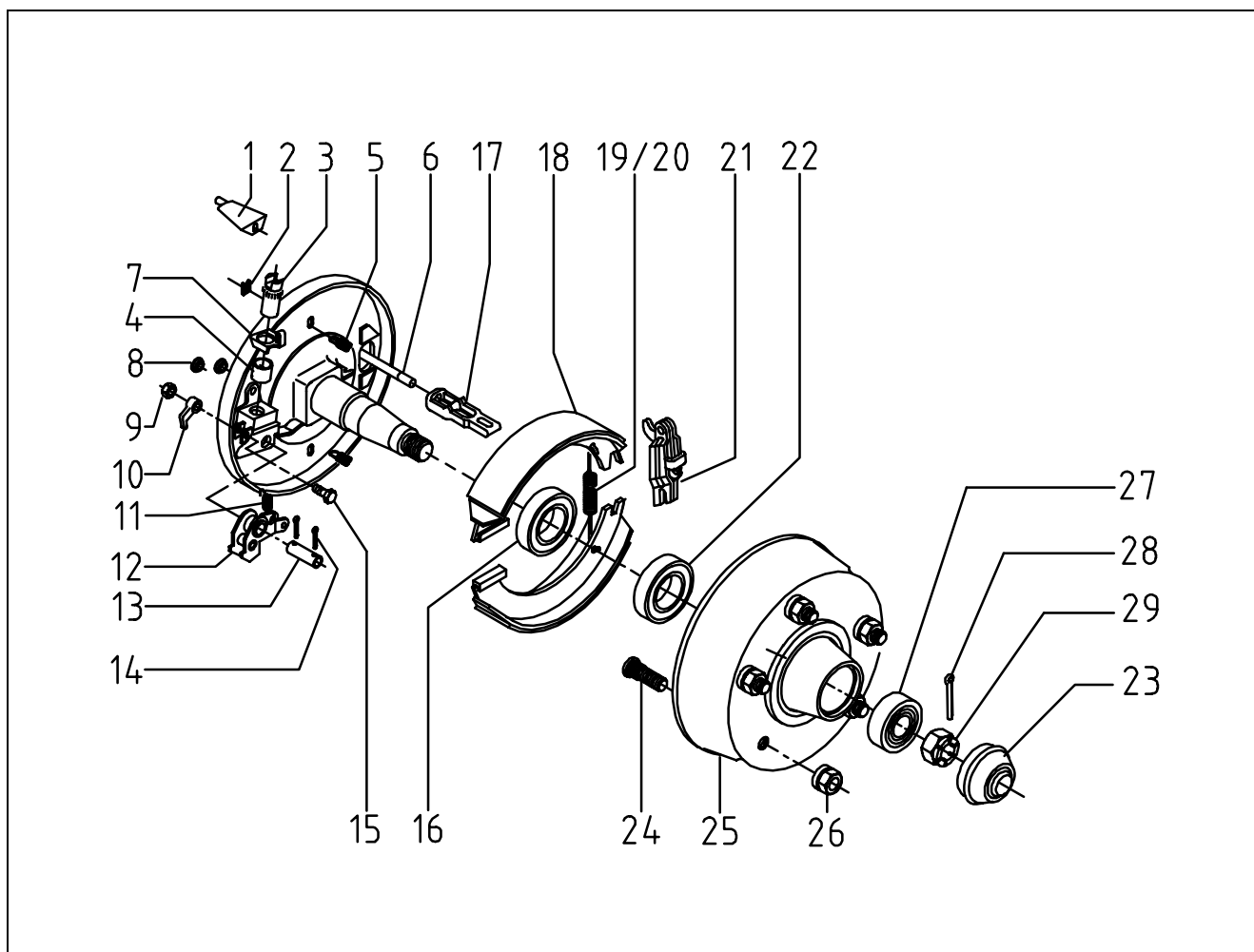
| POS | ART-NR | BEZEICHNUNG | ST | POS | ART-NR. | BEZEICHNUNG | ST |
|-----|--------------|---------------------------------|-----|-----|--------------|-------------|-----|
| POS | NO.D'ARTICLE | DÉSIGNATION | QTÉ | POS | NO.D'ARTICLE | DÉSIGNATION | QTÉ |
| REF | ARTICLE NO | DESCRIPTION | QTY | REF | ARTICLE NO | DESCRIPTION | QTY |
| 19 | M2258254100 | FUSEE DESSIEU | 1 | | | | |
| 20 | M2384509000 | MACHOIRE DE FREIN | 2 | | | | |
| 21 | M2257151000 | SERRURE A SEGMENTS EXTENSIBLES | 1 | | | | |
| 22 | M2257319400 | TAMBOUR DE FREIN | 1 | | | | |
| 23 | M2258250600 | ECROU DESSIEU | 1 | | | | |
| 24 | M2208167020 | BOULON DE ROUE | 5 | | | | |
| 25 | M2258250500 | CHAPE DE FREIN | 1 | | | | |
| 1 | M5394040202 | SPLIT-PIN D94 4.0X20 GALV. | 1 | | | | |
| 2 | M2208880003 | COMPRESSION SPRING | 2 | | | | |
| 3 | M2238261002 | COVERPLATE | 2 | | | | |
| 4 | M2270090411 | STOPPER, 10MM | 2 | | | | |
| 5 | M2368361000 | PRESS BRACKET FOR WHEEL BRAKE | 1 | | | | |
| 6 | M2218737080 | ADJUSTING NUT CPL | 1 | | | | |
| 7 | M2368405000 | LEAF SPRING ARM FOR WHEEL BRAKE | 1 | | | | |
| 8 | M2218737003 | TENSION SPRING | 1 | | | | |
| 9 | M2257138600 | BRAKE LEVER, LEFT | 1 | | | | |
| 10 | M2257138700 | BRAKE LEVER, RIGHT | 1 | | | | |
| 11 | M2368651000 | BEARING BOLT | 1 | | | | |
| 12 | M2208200007 | DRIVING SPRING | 1 | | | | |
| 13 | M2371389000 | CAP | 1 | | | | |
| 14 | M2371387000 | SHELL ARM | 2 | | | | |
| 15 | M2257237200 | BRAKE SHIELD, WELDED, LEFT | 1 | | | | |
| 16 | M2257237300 | BRAKE SHIELD, WELDED, RIGHT | 1 | | | | |
| 17 | M2241107000 | WHEEL BRAKE CABLE | 1 | | | | |
| 18 | M2260426200 | INSET EYE | 1 | | | | |
| 19 | M2258254100 | AXLE JOURNAL | 1 | | | | |
| 20 | M2384509000 | BRAKE SHOES | 2 | | | | |
| 21 | M2257151000 | EXPANDING LOCK | 1 | | | | |
| 22 | M2257319400 | BRAKE DRUM | 1 | | | | |
| 23 | M2258250600 | AXLE NUT | 1 | | | | |
| 24 | M2208167020 | WHEEL SCREW, BALL HEAD | 5 | | | | |
| 25 | M2258250500 | GREASE CAP | 1 | | | | |

Ersatzteilliste, liste des pièces détachées, spare part list

H01 RADBREMSE / ROUE FREIN / WHEEL BRAKE

TYPE 3081A DC 260/43 ARMB, ARMBS ↑06/93

TYPE 3081A DC 260/54 ARM, ARMB, ARMBS ↑09/95



BILD, DESSIN, PICTURE: 54006.WMF

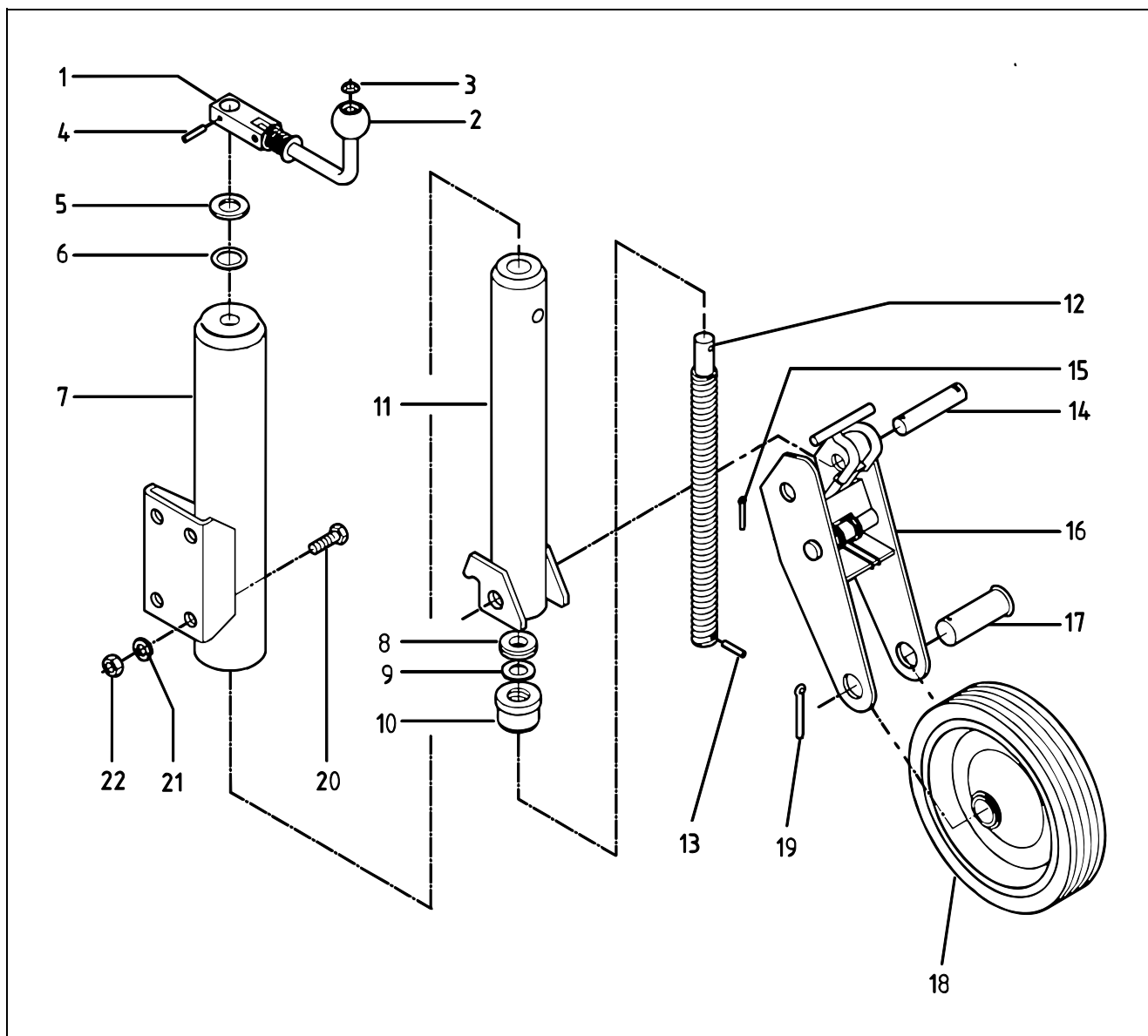
| POS | ART-NR | BEZEICHNUNG | ST | POS | ART-NR. | BEZEICHNUNG | ST |
|-----|--------------|----------------------------------|-----|-----|--------------|------------------------------|-----|
| POS | NO.D'ARTICLE | DÉSIGNATION | QTÉ | POS | NO.D'ARTICLE | DÉSIGNATION | QTÉ |
| REF | ARTICLE NO | DESCRIPTION | QTY | REF | ARTICLE NO | DESCRIPTION | QTY |
| 1 | M2372890000 | ABDECKBLECH 2200 KG/ARM | 2 | 25 | M2384423000 | BREMSTROMMEL KPL. 3081AUSF.A | 1 |
| 2 | M2372913000 | ABDECKBLECH | 2 | 26 | M2270120200 | RADMUTTER 18X1.5 KUG. | 5 |
| 3 | M2385175000 | NACHSTELLMUTTER FÜR RAD 3081A | 1 | 27 | M5420302081 | KEGELROLLENLAGER | 1 |
| 4 | M2368535000 | BUCHSE,NACHSTELLSCHR.BREMSBACKE1 | 1 | 28 | M5394063602 | SPLINT D94 6.3X60 VERZ. | 1 |
| 5 | M2372895000 | DRUCKFEDER,BREMSBACKE | 2 | 29 | M5237330150 | KRONENMUTTER F. ACHSE | 1 |
| 6 | M2241107000 | RADBREMSESEIL 800/1060 2,5 TO | 1 | 1 | M2372890000 | TOLE DE RECOUVREMENT | 2 |
| 7 | M2358259000 | SICHERUNGSBLECH, EINSTELLSCHR. | 1 | 2 | M2372913000 | TOLE DE RECOUVREMENT | 2 |
| 8 | M2270090411 | STOPFEN 10MM | 2 | 3 | M2385175000 | ECROU DE BLOCAGE CPL | 1 |
| 9 | M2270012100 | MUTTER M8,RADBREMSE | 1 | 4 | M2368535000 | BOISSEAU | 1 |
| 10 | M2368530000 | KLINKE | 1 | 5 | M2372895000 | RESSORT DE PRESSION | 2 |
| 11 | M2372894000 | ZUGFEDER,ÜBERSETZUNGSHEBEL | 1 | 6 | M2241107000 | CABLE DE FREIN | 1 |
| 12 | M2372892000 | ÜBERSETZUNGSHEBEL | 1 | 7 | M2358259000 | TOLE DE SURETE | 1 |
| 13 | M2270240000 | LAGERBOLZEN 16X65MM | 1 | 8 | M2270090411 | BOUCHON 10MM | 2 |
| 14 | M5394040320 | SPLINT D 94 4,0X32 | 2 | 9 | M2270012100 | ECROU | 1 |
| 15 | M2371543000 | SCHRAUBE,RADBREMSE | 1 | 10 | M2368530000 | LOQUET | 1 |
| 16 | M4306510013 | SIMMERING 65X100 F. RADB.3081 A | 1 | 11 | M2372894000 | RESSORT | 1 |
| 17 | M2372891000 | EINHÄNGEÖSE,RADBREMSESEIL | 1 | 12 | M2372892000 | LEVIER DE TRANSMISSION | 1 |
| 18 | M2387260000 | BREMSBACKE DC260/43+54BESCHICK | 2 | 13 | M2270240000 | BOULON DE PALIER | 1 |
| 19 | M2258925004 | RÜCKHOLFEDER BREMSBACKE LINKS | 1 | 14 | M5394040320 | GOUPILLE | 2 |
| 20 | M2355833000 | RÜCKHOLFEDER, BREMSBACKE RECHTS | 1 | 15 | M2371543000 | VIS | 1 |
| 21 | M2385165000 | SPREIZSCHLOß,RADBREMSE | 1 | 16 | M4306510013 | JOINT D'ARBRE | 1 |
| 22 | M5420302111 | KEGELROLLENLAGER | 1 | 17 | M2372891000 | OREILLE | 1 |
| 23 | M2368527000 | FETTKAPPE 170MM | 1 | 18 | M2387260000 | MACHOIRE DE FREIN | 2 |
| 24 | M2248794005 | RADBOLZEN | 5 | | | | |

Ersatzteilliste, liste des pièces détachées, spare part list

**H01 RADBREMSE / ROUE FREIN / WHEEL BRAKE
TYPE 3081A DC 260/43 ARMB, ARMBS ↑06/93
TYPE 3081A DC 260/54 ARM, ARMB, ARMBS ↑09/95**



| POS | ART-NR | BEZEICHNUNG | ST | POS | ART-NR. | BEZEICHNUNG | ST |
|-----|--------------|---|-----|-----|--------------|-------------|-----|
| POS | NO.D'ARTICLE | DÉSIGNATION | QTÉ | POS | NO.D'ARTICLE | DÉSIGNATION | QTÉ |
| REF | ARTICLE NO | DESCRIPTION | QTY | REF | ARTICLE NO | DESCRIPTION | QTY |
| 19 | M2258925004 | RESSORT DE REcul, MACHOIRE DE FREINGAUCHE..... | 1 | | | | |
| 20 | M2355833000 | RESSORT DE REcul, MACHOIRE DE FREINDROITE | 1 | | | | |
| 21 | M2385165000 | SERRURE A SEGMENTS EXTENSIBLES.... | 1 | | | | |
| 22 | M5420302111 | ROULEMENT A ROULEAUX CONIQUES.... | 1 | | | | |
| 23 | M2368527000 | CAPOT DE GRAISSE | 1 | | | | |
| 24 | M2248794005 | ARBRE DE BOULON | 5 | | | | |
| 25 | M2384423000 | TAMBOUR DE FREIN..... | 1 | | | | |
| 26 | M2270120200 | BOULON DE ROUE | 5 | | | | |
| 27 | M5420302081 | ROULEMENT A ROULEAUX CONIQUES.... | 1 | | | | |
| 28 | M5394063602 | GOUPILLE | 1 | | | | |
| 29 | M5237330150 | ECROU | 1 | | | | |
| 1 | M2372890000 | COVERING PLATE | 2 | | | | |
| 2 | M2372913000 | COVERING PLATE | 2 | | | | |
| 3 | M2385175000 | ADJUSTING NUT | 1 | | | | |
| 4 | M2368535000 | BUSHING..... | 1 | | | | |
| 5 | M2372895000 | COMPRESSION RING | 2 | | | | |
| 6 | M2241107000 | WHEEL BRAKE CABLE..... | 1 | | | | |
| 7 | M2358259000 | LOCKING PLATE | 1 | | | | |
| 8 | M2270090411 | STOPPER, 10MM..... | 2 | | | | |
| 9 | M2270012100 | SCREW..... | 1 | | | | |
| 10 | M2368530000 | CATCH..... | 1 | | | | |
| 11 | M2372894000 | TENSION SPRING | 1 | | | | |
| 12 | M2372892000 | REVERSING LEVER..... | 1 | | | | |
| 13 | M2270240000 | BEARING BOLT | 1 | | | | |
| 14 | M5394040320 | SPLIT-PIN..... | 2 | | | | |
| 15 | M2371543000 | SCREW..... | 1 | | | | |
| 16 | M4306510013 | SHAFT SEAL..... | 1 | | | | |
| 17 | M2372891000 | EYE | 1 | | | | |
| 18 | M2387260000 | BRAKE BLOCK | 2 | | | | |
| 19 | M2258925004 | RESTORING SPRING, BRAKE SHOE LEFT | 1 | | | | |
| 20 | M2355833000 | RESTORING SPRING, BRAKE SHOE RIGHT | 1 | | | | |
| 21 | M2385165000 | EXPANDING LOCK..... | 1 | | | | |
| 22 | M5420302111 | TAPER ROLLER BEARING..... | 1 | | | | |
| 23 | M2368527000 | GREASE CAP | 1 | | | | |
| 24 | M2248794005 | WHEEL BOLT..... | 5 | | | | |
| 25 | M2384423000 | BRAKE DRUM..... | 1 | | | | |
| 26 | M2270120200 | WHEEL SCREW | 5 | | | | |
| 27 | M5420302081 | TAPER ROLLER BEARING | 1 | | | | |
| 28 | M5394063602 | SPLIT-PIN..... | 1 | | | | |
| 29 | M5237330150 | CASTEL NUT | 1 | | | | |



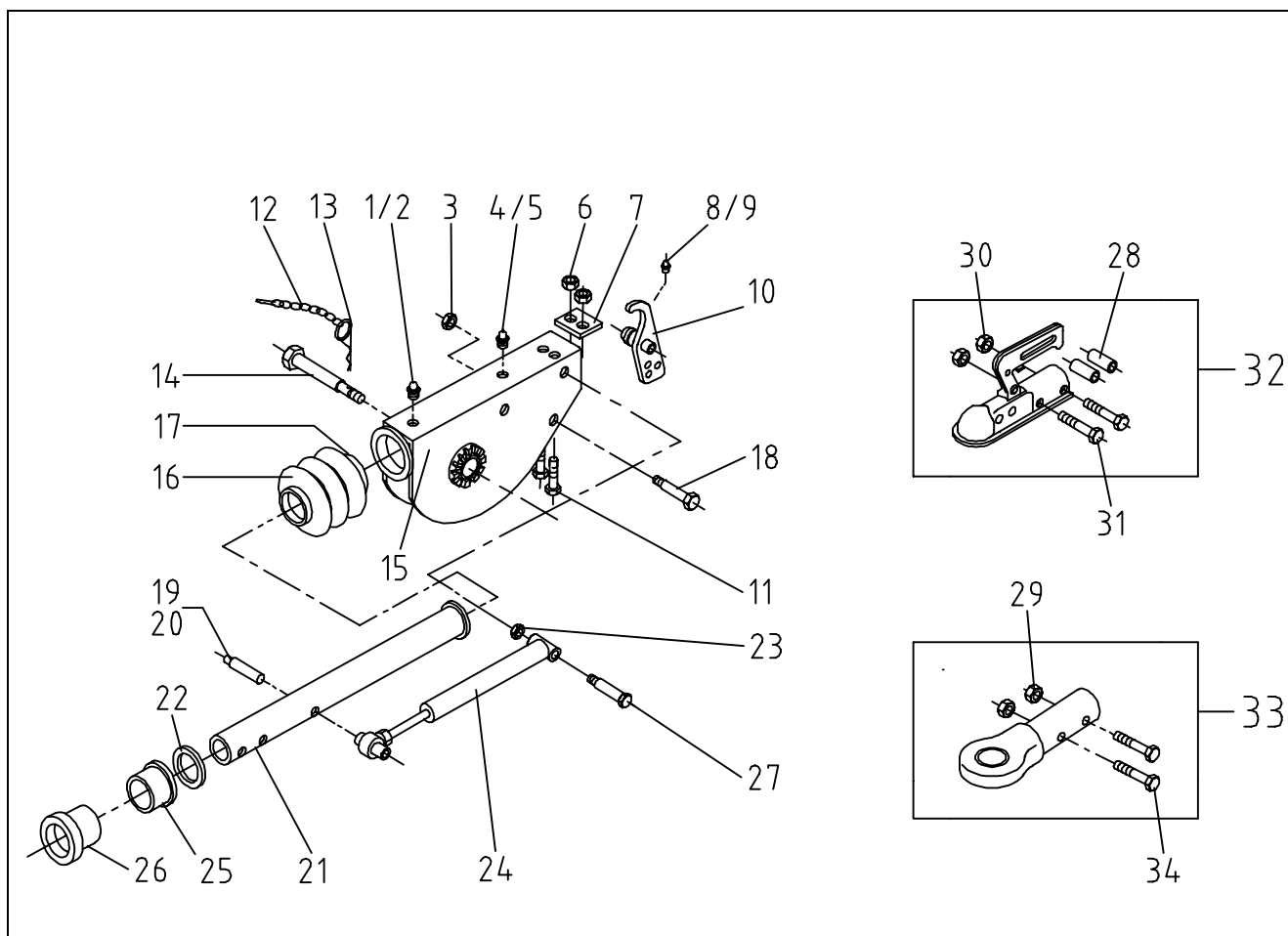
BILD, DESSIN, PICTURE: 43048.WMF

| POS | ART-NR | BEZEICHNUNG | ST | POS | ART-NR. | BEZEICHNUNG | ST |
|-------|----------------|------------------------------|-----|-------|----------------|--------------------------------------|-----|
| POS | NO.D'ARTICLE | DESIGNATION | QTE | POS | NO.D'ARTICLE | DESIGNATION | QTE |
| REF | ARTICLE NO | DESCRIPTION | QTY | REF | ARTICLE NO | DESCRIPTION | QTY |
| 0.... | M-224 249 2000 | STÜTZRAD KPL. | 1 | 15... | M-539 405 0450 | SPLINT D 94 5X45 | 1 |
| 1.... | M-235 494 2000 | KURBEL, KLAPPBAR | 1 | 16... | M-220 500 2050 | STÜTZSCHUH KPL. | 1 |
| 2.... | M-220 500 8042 | KUGEL | 1 | 17... | M-220 500 2053 | ACHSE FÜR STÜTZRAD | 1 |
| 3.... | M-235 542 1000 | SICHERUNG FÜR KUGEL | 1 | 18... | M-220 611 0000 | RAD | 1 |
| 4.... | M-538 106 0320 | SPANNHÜLSE D 1481 6X32 | 1 | 19... | M-539 406 3502 | SPLINT D 94 6,3X50 | 1 |
| 5.... | M-220 500 2031 | SCHEIBE | 1 | 20... | M-503 312 0302 | SKT-SCHRAUBE D 933 M12X30 | 4 |
| 6.... | M-220 501 8032 | STAHLSCHEIBE | 1 | 21... | M-532 712 2002 | FEDERRING D 127 12,2 | 4 |
| 7.... | M-220 575 4010 | AUßENROHR KPL. | 1 | 22... | M-523 412 0002 | MUTTER D 934 M12 | 4 |
| 8.... | M-227 007 6700 | DRUCKLAGER | 1 | | | | |
| 9.... | M-532 521 0002 | U-SCHEIBE D 125 21,0 | 1 | 0.. | M-224 249 2000 | ROUE D'APPUI CPL. | 1 |
| 10... | M-220 500 4023 | SPINDELMUTTER | 1 | 1.. | M-235 494 2000 | MANIVELLE RABATTABLE | 1 |
| 11... | M-220 500 2020 | INNENROHR KPL. | 1 | 2.. | M-220 500 8042 | BOULE | 1 |
| 12... | M-220 525 5030 | SPINDEL | 1 | 3.. | M-235 542 1000 | FREIN D'ECROU POUR BOULE | 1 |
| 13... | M-538 106 0320 | SPANNHÜLSE D 1481 6X32 | 1 | 4.. | M-538 106 0320 | GOUPILLE ELASTIQUE D 1481 6X32 | 1 |
| 14... | M-220 500 2054 | LAGERBOLZEN | 1 | 5.. | M-220 500 2031 | RONDELLE PLATE | 1 |

Ersatzteilliste, liste des pièces détachées, spare part listH01 STÜTZRAD / ROUE DE SUPPORT / SUPPORT WHEEL
TYPE DC 260/22-54, FMO 200/31, FMO 200/2-3, FML 200/31

| POS | ART-NR | BEZEICHNUNG | ST | POS | ART-NR. | BEZEICHNUNG | ST |
|-------|----------------|---|-----|-----|--------------|-------------|-----|
| POS | NO.D'ARTICLE | DESIGNATION | QTE | POS | NO.D'ARTICLE | DESIGNATION | QTE |
| REF | ARTICLE NO | DESCRIPTION | QTY | REF | ARTICLE NO | DESCRIPTION | QTY |
| 6... | M-220 501 8032 | RONDELLE PLATE EN ACIER | 1 | | | | |
| 7... | M-220 575 4010 | TUBE EXTERIEUR CPL. | 1 | | | | |
| 8... | M-227 007 6700 | PALIER DE BUTEE | 1 | | | | |
| 9... | M-532 521 0002 | RONDELLE D 125 .1,0 | 1 | | | | |
| 10... | M-220 500 4023 | ECROU DE BROCHE | 1 | | | | |
| 11... | M-220 500 2020 | TUBE INTERIEUR CPL. | 1 | | | | |
| 12... | M-220 525 5030 | BROCHE | 1 | | | | |
| 13... | M-538 106 0320 | MANCHON DE SERRAGE D 1481 6X32 .. | 1 | | | | |
| 14... | M-220 500 2054 | AXE | 1 | | | | |
| 15... | M-539 405 0450 | GOUPILLE FENDUE D 94 5X45 | 1 | | | | |
| 16... | M-220 500 2050 | SABOT D'APPUI CPL. | 1 | | | | |
| 17... | M-220 500 2053 | AXE POUR ROUE D'APPUI | 1 | | | | |
| 18... | M-220 611 0000 | ROUE | 1 | | | | |
| 19... | M-539 406 3502 | GOUPILLE FENDUE D 94 6,3X50 | 1 | | | | |
| 20... | M-503 312 0302 | VIS A TETE HEXAGONALE D 933 M12X30 | 4 | | | | |
| 21... | M-532 712 2002 | RONDELLE ELASTIQUE D 127 12,2 | 4 | | | | |
| 22... | M-523 412 0002 | ECROU D 934 M12 | 4 | | | | |

| | | | | | | | |
|-------|----------------|-----------------------------------|---|--|--|--|--|
| 0... | M-224 249 2000 | JOCKEY WHEEL CPL..... | 1 | | | | |
| 1... | M-235 494 2000 | FOLDING CRANK..... | 1 | | | | |
| 2... | M-220 500 8042 | CRANK | 1 | | | | |
| 3... | M-235 542 1000 | CRANK LOCKING DEVICE | 1 | | | | |
| 4... | M-538 106 0320 | CLAMPING SLEEVE D 1481 6X32 | 1 | | | | |
| 5... | M-220 500 2031 | WASHER | 1 | | | | |
| 6... | M-220 501 8032 | STEEL DISC | 1 | | | | |
| 7... | M-220 575 4010 | EXTERIOR PIPE CPL | 1 | | | | |
| 8... | M-227 007 6700 | THRUST BEARING | 1 | | | | |
| 9... | M-532 521 0002 | WASHER D 125 1.0..... | 1 | | | | |
| 10... | M-220 500 4023 | SPINDLE NUT | 1 | | | | |
| 11... | M-220 500 2020 | INTERIOR PIPE CPL..... | 1 | | | | |
| 12... | M-220 525 5030 | SPINDLE..... | 1 | | | | |
| 13... | M-538 106 0320 | CLAMPING SLEEVE D 14816X32 | 1 | | | | |
| 14... | M-220 500 2054 | BEARING BOLT..... | 1 | | | | |
| 15... | M-539 405 0450 | SPLIT PIN D 94 5X45 | 1 | | | | |
| 16... | M-220 500 2050 | PROTECTIVE SHOE CPL..... | 1 | | | | |
| 17... | M-220 500 2053 | AXIAL FOR JOCKEY WHEEL | 1 | | | | |
| 18... | M-220 611 0000 | WHEEL | 1 | | | | |
| 19... | M-539 406 3502 | SPLIT PIN D 94 6X50 | 1 | | | | |
| 20... | M-503 312 0302 | HEXAGON SCREW D 933 M12X30..... | 4 | | | | |
| 21... | M-532 712 2002 | SPRING WASHER D 127 12.2..... | 4 | | | | |
| 22... | M-523 412 0002 | NUT D 934 M12 | 4 | | | | |

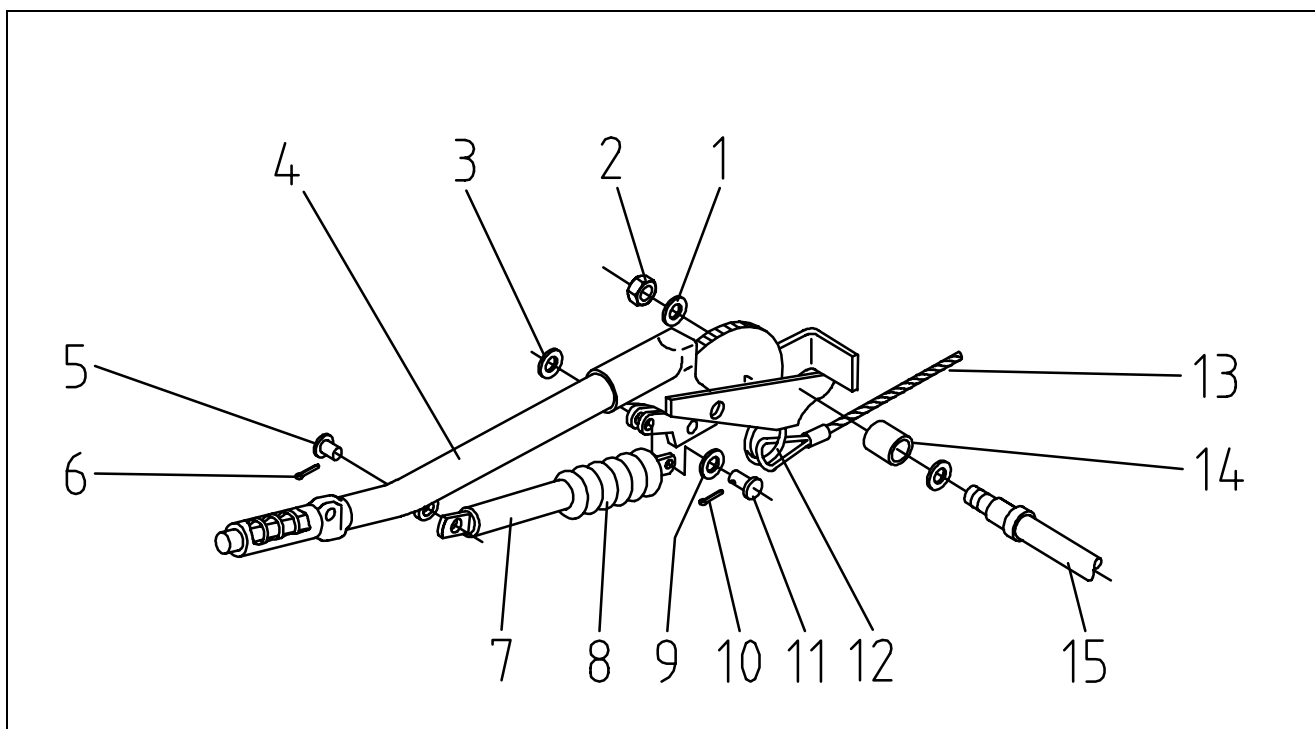


BILD, DESSIN, PICTURE: 43005_1B1.WMF

| POS | ART-NR | BEZEICHNUNG | ST | POS | ART-NR. | BEZEICHNUNG | ST |
|-----|--------------|--|-----|-----|--------------|---|-----|
| POS | NO.D'ARTICLE | DÉSIGNATION | QTÉ | POS | NO.D'ARTICLE | DÉSIGNATION | QTÉ |
| REF | ARTICLE NO | DESCRIPTION | QTY | REF | ARTICLE NO | DESCRIPTION | QTY |
| 0 | M2242442000 | AUFL.EINR.M.ZWST.F.DC 260/43ARM | 1 | 22 | M2371372000 | ..DÄMPFUNGSGUMMI F.DC260/43-B-S | 1 |
| 0 | M2240985000 | AUFLAUFVORR.KPL.DC260/33+ 43 ARM | 1 | 23 | M5282160002 | ..MUTTER M16 SELBSTS.DIN982 | 1 |
| 1 | M2217171001 | ..ABSCHMIERNIPPEL | 1 | 24 | M2372641000 | ..STOßDÄMPFER FÜR DC260/43 + B | 1 |
| 2 | M6043013000 | ..FETTNIPPELKAPPE ROT | 1 | 25 | M2353942000 | ..GLEITBUCHSE DC260/43+B+S | 1 |
| 3 | M5280120000 | ..MUTTER D 980 M12 | 1 | 26 | M2353943000 | ..BUCHSE F.AUFLAUFBR.DC 260/43 | 1 |
| 4 | M2217171001 | ..ABSCHMIERNIPPEL | 1 | 27 | M5031160902 | ..SCHRAUBE M16X90 VERZ | 1 |
| 5 | M6043013000 | ..FETTNIPPELKAPPE ROT | 1 | 28 | M2357242000 | ..DISTANZBUCHSE F. KUKO AK 26 | 2 |
| 6 | M5285100000 | ..MUTTER M10 ,SELBSTSICHERND | 2 | 29 | M5280120000 | ..MUTTER D 980 M12 | 2 |
| 7 | M2375433000 | ..ANSCHLAG,AUFLAUFEINR.TYP251VB, AUSF.B1/B2 | 1 | 30 | M5280120000 | ..MUTTER D 980 M12 | 2 |
| 8 | M2270020300 | ..FETTNIPPEL FÜR AUFLAUFEINRICHTUNG | 1 | 31 | M5031120752 | ..SCHRAUBE DIN 931 M12X75 8.8 | 2 |
| 9 | M6043013000 | ..FETTNIPPELKAPPE ROT | 1 | 32 | M2294125000 | ..KUGELKOPFKUPPL.F. DC260/43+FMO | 1 |
| 10 | M2387154000 | ..UMLENKHEBEL,AUSLAUFEINR.251VB AUSF.B1 | 1 | 33 | M2241041000 | ..ZUGÖSE/VB251/DC260/22+33+43+54 | 1 |
| 11 | M5033100252 | ..SECHSKANTSCHRAUBE D 933 M 10X 25 | 2 | 34 | M5031120652 | ..SECHSKANTSCHRAUBE D 931 M12X 65 VERZ. | 2 |
| 12 | M2202092004 | ..KETTE 210MM LG. F. FEDERSTECKER | 1 | 0 | M2242442000 | ..DISPOSITIF FREINAGE A INERTIE AVEC BARRE INTERMEDIAIRE | 1 |
| 13 | M5399000502 | ..FEDERSTECKER VERZINKT 5,0 | 1 | 1 | M2217171001 | ..NIPPLE A GRAISSE | 1 |
| 14 | M2372776000 | ..LAGERSCHRAUBE DC260/43+B+S | 1 | 2 | M6043013000 | ..GRAISSEUR COIFFE GPN1300A | 1 |
| 15 | M2270349300 | ..SCHNEIDSCHRAUBE A5 | 2 | 3 | M5280120000 | ..ECROU M12 | 1 |
| 16 | M2366356000 | ..FALTENBALG FÜR DC260/43+B+S | 1 | 4 | M2217171001 | ..NIPPLE A GRAISSE | 1 |
| 17 | M3122878783 | ..KABELBINDER 370 MM | 1 | 5 | M6043013000 | ..GRAISSEUR COIFFE GPN1300A | 1 |
| 18 | M2371626000 | ..HALTEBOLZEN | 1 | 6 | M5285100000 | ..ECROU | 2 |
| 19 | M5381120500 | ..SPANNHÜLSE D 1481 12X50 | 1 | 7 | M2375433000 | ..DISPOSITIF FREINAGE INERTIE SANS BARRE | 1 |
| 20 | M5381070500 | ..SPANNHÜLSE D 1481 7X50 | 1 | 8 | M2270020300 | ..NIPPLE A GRAISSE | 1 |
| 21 | M2387061000 | ..ZUGROHR FÜR DC 260/43 | 1 | 9 | M6043013000 | ..GRAISSEUR COIFFE GPN1300A | 1 |

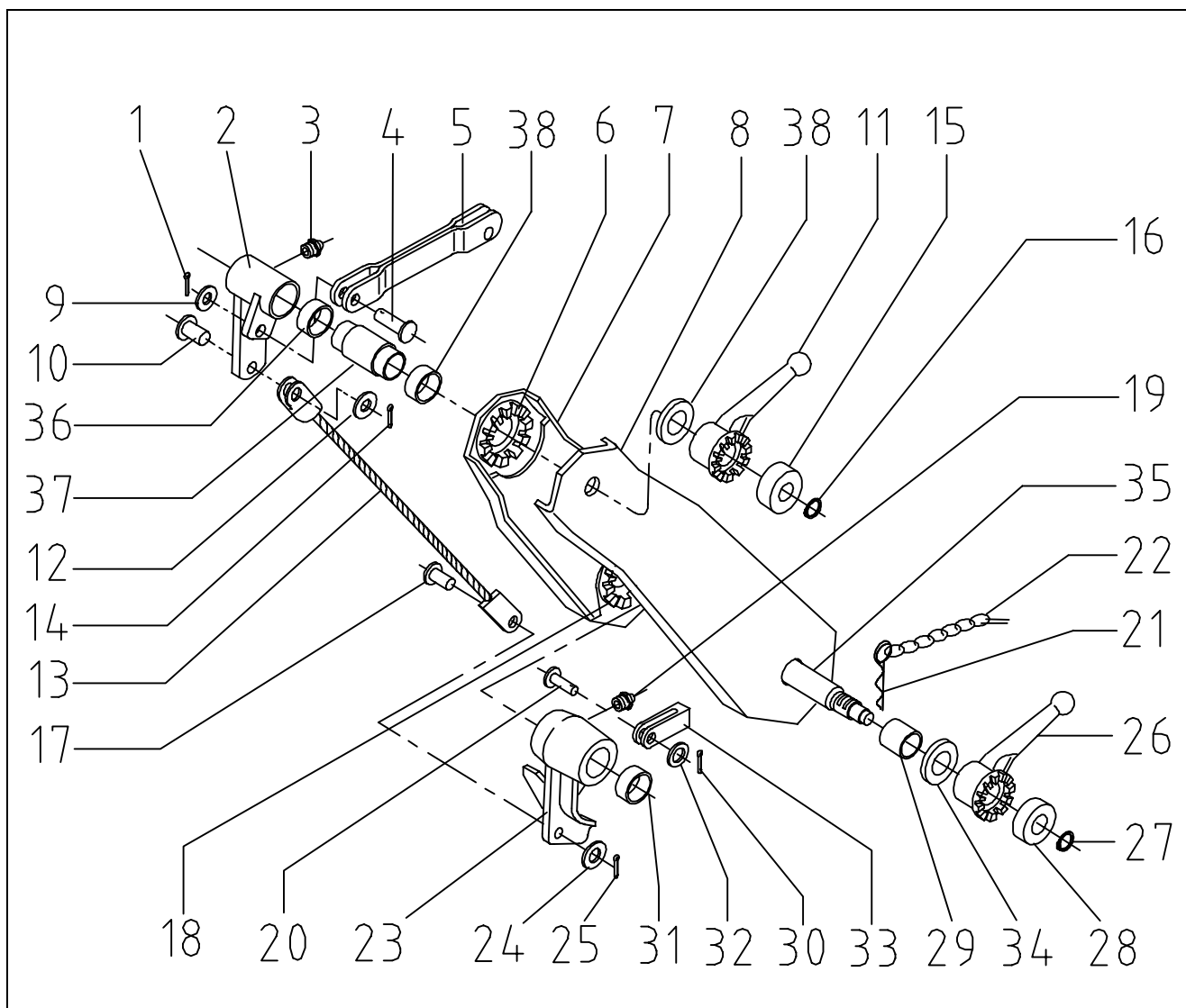


| POS | ART-NR | BEZEICHNUNG | ST | POS | ART-NR. | BEZEICHNUNG | ST |
|-----|--------------|---------------------------------------|-----|-----|--------------|-------------------------------------|-----|
| POS | NO.D'ARTICLE | DÉSIGNATION | QTÉ | POS | NO.D'ARTICLE | DÉSIGNATION | QTÉ |
| REF | ARTICLE NO | DESCRIPTION | QTY | REF | ARTICLE NO | DESCRIPTION | QTY |
| 10 | M2387154000 | LEVIER DE RENVOI | 1 | 32 | M2294125000 | BEARING COUPLER | 1 |
| 11 | M5033100252 | BOULON A TETE HEXAGONALE M10X25 GALV | 2 | 33 | M2241041000 | TRACTION EYE | 1 |
| 12 | M2202092004 | CHAINE DIN 5686 | 1 | 34 | M5031120652 | HEXAGON HEAD CAP SCREW M 12X65 GALV | 2 |
| 13 | M5399000502 | GOUPILLE GALV. 5,0 | 1 | | | | |
| 14 | M2372776000 | BOULON DE PALIER | 1 | | | | |
| 15 | M2270349300 | VIS COUPANTE | 2 | | | | |
| 16 | M2366356000 | COUVERTURE FLEXIBLE | 1 | | | | |
| 17 | M3122878783 | PORTE-CABLE 370 MM | 1 | | | | |
| 18 | M2371626000 | BOULON DE SERRAGE | 1 | | | | |
| 19 | M5381120500 | DOUILLE DE SERRAGE | 1 | | | | |
| 20 | M5381070500 | DOUILLE DE SERRAGE | 1 | | | | |
| 21 | M2387061000 | TUBE TRACTION | 1 | | | | |
| 22 | M2371372000 | ANNEAU DE SERRAGE | 1 | | | | |
| 23 | M5282160002 | ECROU 6 PANS | 1 | | | | |
| 24 | M2372641000 | AMORTISSEUR | 1 | | | | |
| 25 | M2353942000 | CAOUTCHOUC D AMORTISSEUR | 1 | | | | |
| 26 | M2353943000 | DOUILLE | 1 | | | | |
| 27 | M5031160902 | BOULON M 16X90 GALV | 1 | | | | |
| 28 | M2357242000 | DOUILLE | 2 | | | | |
| 29 | M5280120000 | ECROU M12 | 2 | | | | |
| 30 | M5280120000 | ECROU M12 | 2 | | | | |
| 31 | M5031120752 | BOULON | 2 | | | | |
| 32 | M2294125000 | TETE A ROTULE COUPLING | 1 | | | | |
| 33 | M2241041000 | ANNEAU DIN POUR TRANSMIX | 1 | | | | |
| 34 | M5031120652 | VIS A SIX PANS M 12X65 GALV | 2 | | | | |
| 0 | M2242442000 | RUN-ON DEVICE WITH INTERMEDIATE PIECE | 1 | | | | |
| 1 | M2217171001 | LUBRICATING NIPPLE | 1 | | | | |
| 2 | M6043013000 | GREASE-NIPPLE CAP GPN1300A | 1 | | | | |
| 3 | M5280120000 | NUT M12 | 1 | | | | |
| 4 | M2217171001 | LUBRICATING NIPPLE | 1 | | | | |
| 5 | M6043013000 | GREASE-NIPPLE CAP GPN1300A | 1 | | | | |
| 6 | M5285100000 | NUT | 2 | | | | |
| 7 | M2375433000 | RUN ON DEVICE | 1 | | | | |
| 8 | M2270020300 | GREASE NIPPLE FOR RUN-ON DEVICE | 1 | | | | |
| 9 | M6043013000 | GREASE-NIPPLE CAP GPN1300A | 1 | | | | |
| 10 | M2387154000 | REVERSING LEVER | 1 | | | | |
| 11 | M5033100252 | HEXAGON HEAD CAP SCREW M10X25 GALV | 2 | | | | |
| 12 | M2202092004 | CHAIN FOR SPRING PLUG | 1 | | | | |
| 13 | M5399000502 | SPRING PLUG GALV. 5.0 | 1 | | | | |
| 14 | M2372776000 | BEARING SCREW | 1 | | | | |
| 15 | M2270349300 | CUTTING SCREW | 2 | | | | |
| 16 | M2366356000 | FOLDING BELLOW | 1 | | | | |
| 17 | M3122878783 | CABLE BINDER 370 MM | 1 | | | | |
| 18 | M2371626000 | HOLDING BOLT | 1 | | | | |
| 19 | M5381120500 | ADAPTER SLEEVE | 1 | | | | |
| 20 | M5381070500 | ADAPTER SLEEVE | 1 | | | | |
| 21 | M2387061000 | TENSION TUBE | 1 | | | | |
| 22 | M2371372000 | RUBBER SHOCK ABSORBER | 1 | | | | |
| 23 | M5282160002 | HEXAGONAL NUT | 1 | | | | |
| 24 | M2372641000 | SHOCK ABSORBER | 1 | | | | |
| 25 | M2353942000 | SLIDING BUSHING | 1 | | | | |
| 26 | M2353943000 | BUSHING | 1 | | | | |
| 27 | M5031160902 | SCREW M16X90 GALV | 1 | | | | |
| 28 | M2357242000 | BUSHING | 2 | | | | |
| 29 | M5280120000 | NUT M12 | 2 | | | | |
| 30 | M5280120000 | NUT M12 | 2 | | | | |
| 31 | M5031120752 | SCREW | 2 | | | | |



BILD, DESSIN, PICTURE: 43005_1B2.WMF

| POS | ART-NR | BEZEICHNUNG | ST | POS | ART-NR. | BEZEICHNUNG | ST |
|-----|--------------|---------------------------------|-----|-----|--------------|-------------------------------------|-----|
| POS | NO.D'ARTICLE | DÉSIGNATION | QTÉ | POS | NO.D'ARTICLE | DÉSIGNATION | QTÉ |
| REF | ARTICLE NO | DESCRIPTION | QTY | REF | ARTICLE NO | DESCRIPTION | QTY |
| 1 | M5285120000 | MUTTER D 985 M12 | 1 | 4 | M2241820000 | HAND BRAKE LEVER VB251 | 1 |
| 2 | M2270285800 | SCHEIBE 12 | 1 | 5 | M2358533000 | RIVET FOR HAND BRAKE LEVER | 1 |
| 3 | M5325130002 | U-SCHEIBE D 125 13,0 | 1 | 6 | M5394032202 | SPLIT PIN | 1 |
| 4 | M2241820000 | HANDBREMSHEBEL VB251 | 1 | 7 | M2353188000 | GAS SPRING | 1 |
| 5 | M2358533000 | NIET HANDBREMSHEBEL | 1 | 8 | M2375181000 | FOLDING BELLOW FOR HAND BRAKE LEVER | 1 |
| 6 | M5394032202 | SPLINT D 94 3,2X20 VERZ. | 1 | 9 | M2270012500 | SPRING RING | 1 |
| 7 | M2353188000 | GASFEDER F.HANDBREM.DC260/43 | 1 | 10 | M5394032202 | SPLIT PIN | 1 |
| 8 | M2375181000 | FALTENBALG F.DÄMPFER HANDBREMS. | 1 | 11 | M2270157500 | BOLT | 1 |
| 9 | M2270012500 | FEDERRING | 1 | 12 | M2204547012 | RING | 1 |
| 10 | M5394032202 | SPLINT D 94 3,2X20 VERZ. | 1 | 13 | M2353355000 | TEAR-OFF ROPE | 1 |
| 11 | M2270157500 | BOLZEN B12 H11X35 DIN 1444 | 1 | 14 | M2365562000 | BEARING BUSHING | 1 |
| 12 | M2204547012 | RINGÖSE F. HANDBREMSHEBEL | 1 | 15 | M2372777000 | BEARING SCREW | 1 |
| 13 | M2353355000 | ABREIßSEIL DC260/43+B+S | 1 | | | | |
| 14 | M2365562000 | LAGERBUCHSE/UMLENKHEBEL ACHSE | 1 | | | | |
| 15 | M2372777000 | LAGERSCHRAUBE DC260/43+B+S | 1 | | | | |
| 1 | M5285120000 | ECROU 6 PANS | 1 | | | | |
| 2 | M2270285800 | DISQUE | 1 | | | | |
| 3 | M5325130002 | DISQUE D 125 13,0 | 1 | | | | |
| 4 | M2241820000 | LEVIER FREIN A MAIN 251/351 | 1 | | | | |
| 5 | M2358533000 | RIVET POUR LEVIER FREIN A MAIN | 1 | | | | |
| 6 | M5394032202 | GOUPILLE | 1 | | | | |
| 7 | M2353188000 | RESSORT PNEUMATIQUE | 1 | | | | |
| 8 | M2375181000 | SOUFFLET DE TIMON | 1 | | | | |
| 9 | M2270012500 | ANNEAU A RESSORT | 1 | | | | |
| 10 | M5394032202 | GOUPILLE | 1 | | | | |
| 11 | M2270157500 | BOULON | 1 | | | | |
| 12 | M2204547012 | ANNEAU | 1 | | | | |
| 13 | M2353355000 | CABLE | 1 | | | | |
| 14 | M2365562000 | BOISSEAU | 1 | | | | |
| 15 | M2372777000 | VIS DE FIXATION | 1 | | | | |
| 1 | M5285120000 | SCREW | 1 | | | | |
| 2 | M2270285800 | WASHER | 1 | | | | |
| 3 | M5325130002 | WASHER D 125 13,0 | 1 | | | | |

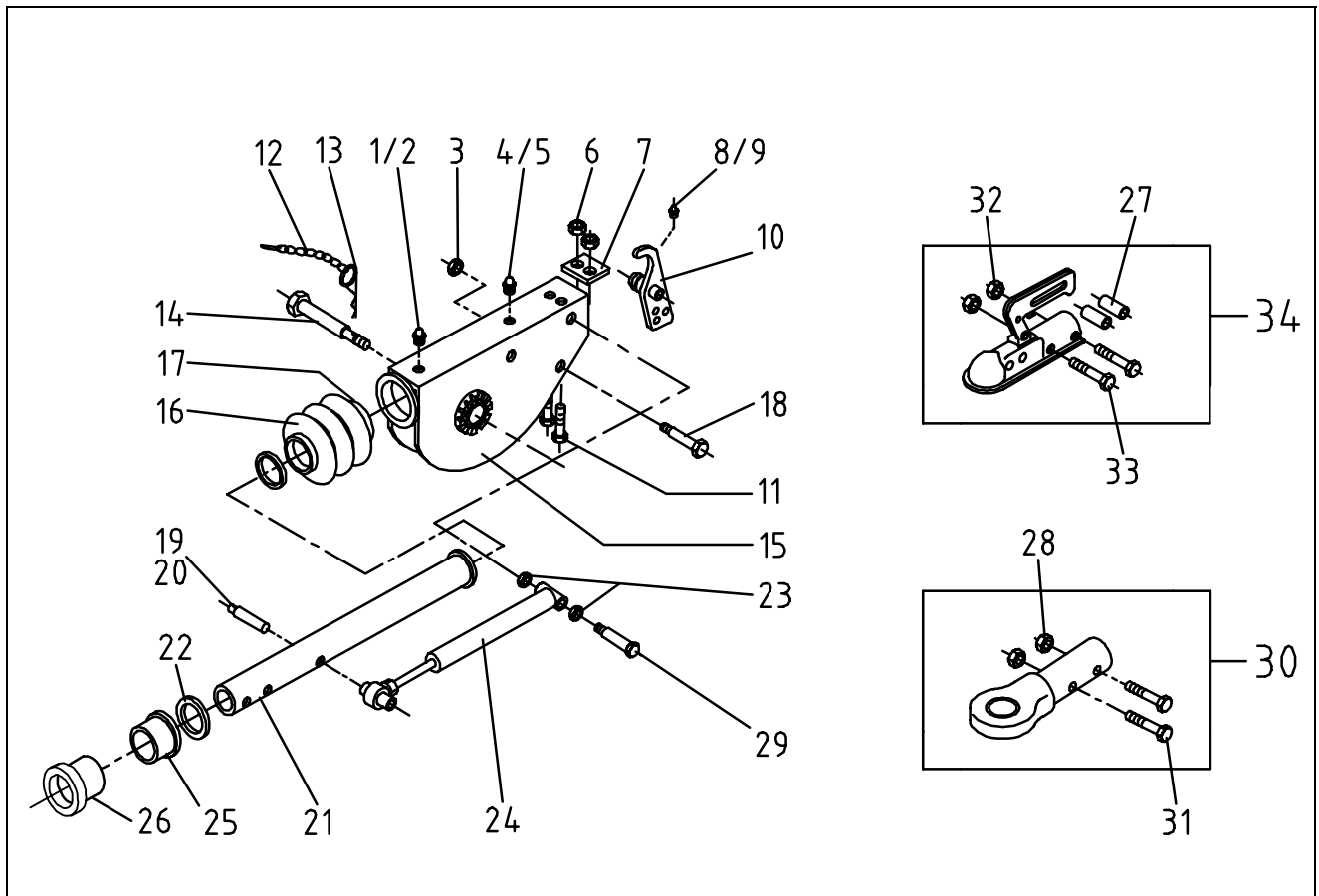


BILD, DESSIN, PICTURE: 43005_1B3.WMF

| POS | ART-NR | BEZEICHNUNG | ST | POS | ART-NR. | BEZEICHNUNG | ST |
|-----|--------------|---|-----|-----|--------------|---|-----|
| POS | NO.D'ARTICLE | DÉSIGNATION | QTÉ | POS | NO.D'ARTICLE | DÉSIGNATION | QTÉ |
| REF | ARTICLE NO | DESCRIPTION | QTY | REF | ARTICLE NO | DESCRIPTION | QTY |
| 1 | M5394032320 | SPLINT D 94 3,2X32 | 1 | 18 | M2375103000 | SICHERUNGSSCHEIBE UNTEN,251VB AUSF.B1/B2 | 1 |
| 2 | M2374127000 | UMLENKHEBEL,AUFLAUFEINR.TYP251 VB,AUSF.B1/B2 | 1 | 19 | M2270020300 | FETTNIPPEL FÜR AUFLAUFEINRICHTUNG 1 | 1 |
| 3 | M2270020300 | FETTNIPPEL FÜR AUFLAUFEINRICHTUNG 1 | 1 | 20 | M2270279400 | BOLZEN B10H 11X30 | 1 |
| 4 | M2270279400 | BOLZEN B10H 11X30 | 1 | 21 | M5399000632 | FEDERSTECKER VERZINKT 6,3 | 1 |
| 5 | M2257008700 | DRUCKSTANGE GESCHW.FÜR 251VB UND 161VB | 1 | 22 | M2202092004 | KETTE 210MM LG. F. FEDERSTECKER | 1 |
| 6 | M2375102000 | SICHERUNGSSCHEIBE OBEN,251VB AUSF.B1/B2 | 1 | 23 | M2374188000 | UMLENKHEBEL. KPL. VB251 | 1 |
| 7 | M2257069500 | ZWISCHENSTÜCK RECHTS | 1 | 24 | M5325105002 | U-SCHEIBE D 125 10,5 VERZ. | 1 |
| 8 | M2257178300 | ZWISCHENSTÜCK LINKS | 1 | 25 | M5394032320 | SPLINT D 94 3,2X32 | 1 |
| 9 | M5325105002 | U-SCHEIBE D 125 10,5 VERZ. | 1 | 26 | M2366673000 | KNEBELMUTTER DC260/43+B+S | 1 |
| 10 | M2270279400 | BOLZEN B10H 11X30 | 1 | 27 | M2270236600 | SPRENGRING A22 VB251 | 1 |
| 11 | M2202404002 | KNEBELMUTTER M20+KETTE+STECKER | 1 | 28 | M2372771000 | BUCHSE FÜR AUFLAUFEINRICHTUNG | 1 |
| 12 | M5325105002 | U-SCHEIBE D 125 10,5 VERZ. | 1 | 29 | M2365562000 | LAGERBUCHSE/UMLENKHEBEL ACHSE | 1 |
| 13 | M2387145000 | SEILZUG FÜR DC260/43 + B. | 1 | 30 | M5394032320 | SPLINT D 94 3,2X32 | 1 |
| 14 | M5394032320 | SPLINT D 94 3,2X32 | 1 | 31 | M2270191700 | GLEITLAGER F.UMLENKHEBEL ACHSE | 1 |
| 15 | M2372770000 | BUCHSE 251VB, AUSF.B1/B2 | 1 | 32 | M5325105002 | U-SCHEIBE D 125 10,5 VERZ. | 1 |
| 16 | M2270230000 | SPRENGRING A14 VB251 | 1 | 33 | M2270073900 | GABELGELENK KPL. M10 X 40 A | 1 |
| 17 | M2270279400 | BOLZEN B10H 11X30 | 1 | 1 | M5394032320 | GOUPILLE D 94 3,2X32 | 1 |
| | | | | 2 | M2374127000 | LEVIER ANGULAIRE | 1 |
| | | | | 3 | M2270020300 | NIPPLE A GRAISSE | 1 |



| POS | ART-NR | BEZEICHNUNG | ST | POS | ART-NR. | BEZEICHNUNG | ST |
|-----|--------------|--|-----|-----|--------------|-------------------------------------|-----|
| POS | NO.D'ARTICLE | DÉSIGNATION | QTÉ | POS | NO.D'ARTICLE | DÉSIGNATION | QTÉ |
| REF | ARTICLE NO | DESCRIPTION | QTY | REF | ARTICLE NO | DESCRIPTION | QTY |
| 4 | M2270279400 | BOULON | 1 | 28 | M2372771000 | BEARING BUSH VB251FOR RUN-ON DEVICE | 1 |
| 5 | M2257008700 | PERCHE DE PRESSION | 1 | 29 | M2365562000 | BEARING BUSHING | 1 |
| 6 | M2375102000 | RONDELLE BLOCAGE | 1 | 30 | M5394032320 | SPLIT PIN D 94 3,2X32 | 1 |
| 7 | M2257069500 | PIECE INTERMEDIAIRE | 1 | 31 | M2270191700 | FRICITION BEARING | 1 |
| 8 | M2257178300 | PIECE INTERMEDIAIRE | 1 | 32 | M5325105002 | WASHER GALV. D 125 10,5 | 1 |
| 9 | M5325105002 | RONDELLE DE SERRAGE GALV. D 125 10,51 | 1 | 33 | M2270073900 | ARTICULATED HEAD CPL. M 10X40 A | 1 |
| 10 | M2270279400 | BOULON | 1 | | | | |
| 11 | M2202404002 | LEVIER DE BLOCAGE | 1 | | | | |
| 12 | M5325105002 | RONDELLE DE SERRAGE GALV. D 125 10,51 | 1 | | | | |
| 13 | M2387145000 | TRACTION DE CABLE | 1 | | | | |
| 14 | M5394032320 | GOUPILLE D 94 3,2X32 | 1 | | | | |
| 15 | M2372770000 | DOUILLE 251VB | 1 | | | | |
| 16 | M2270230000 | CIRCLIP A14 VB251 | 1 | | | | |
| 17 | M2270279400 | BOULON | 1 | | | | |
| 18 | M2375103000 | RONDELLE BLOCAGE | 1 | | | | |
| 19 | M2270020300 | NIPPLE A GRAISSE | 1 | | | | |
| 20 | M2270279400 | BOULON | 1 | | | | |
| 21 | M5399000632 | FICHE A RESSORT | 1 | | | | |
| 22 | M2202092004 | CHAINE DIN 5686 | 1 | | | | |
| 23 | M2374188000 | LEVIER DE RENVOI CPL | 1 | | | | |
| 24 | M5325105002 | RONDELLE DE SERRAGE GALV. D 125 10,51 | 1 | | | | |
| 25 | M5394032320 | GOUPILLE D 94 3,2X32 | 1 | | | | |
| 26 | M2366673000 | LEVIER DE BLOCAGE | 1 | | | | |
| 27 | M2270236600 | BAGUE DE RETENUE A22 VB251 | 1 | | | | |
| 28 | M2372771000 | DOUILLE VB251 POUR DISPOSITIF FREINAGE A INERTIE | 1 | | | | |
| 29 | M2365562000 | BOISSEAU | 1 | | | | |
| 30 | M5394032320 | GOUPILLE D 94 3,2X32 | 1 | | | | |
| 31 | M2270191700 | COULISSEAU | 1 | | | | |
| 32 | M5325105002 | RONDELLE DE SERRAGE GALV. D 125 10,51 | 1 | | | | |
| 33 | M2270073900 | TETE DE CARDAN CPL. M 10X40 A | 1 | | | | |
| 1 | M5394032320 | SPLIT PIN D 94 3,2X32 | 1 | | | | |
| 2 | M2374127000 | BELL-CRANK | 1 | | | | |
| 3 | M2270020300 | GREASE NIPPLE FOR RUN-ON DEVICE | 1 | | | | |
| 4 | M2270279400 | BOLT | 1 | | | | |
| 5 | M2257008700 | FORCING LEVER | 1 | | | | |
| 6 | M2375102000 | LOCK WASHER | 1 | | | | |
| 7 | M2257069500 | TRANSITION PIECE | 1 | | | | |
| 8 | M2257178300 | TRANSITION PIECE | 1 | | | | |
| 9 | M5325105002 | WASHER GALV. D 125 10,5 | 1 | | | | |
| 10 | M2270279400 | BOLT | 1 | | | | |
| 11 | M2202404002 | LOCKING LEVER M20 + CHAIN + CONNECTOR | 1 | | | | |
| 12 | M5325105002 | WASHER GALV. D 125 10,5 | 1 | | | | |
| 13 | M2387145000 | SHEATHED CABLE | 1 | | | | |
| 14 | M5394032320 | SPLIT PIN D 94 3,2X32 | 1 | | | | |
| 15 | M2372770000 | BUSHING 251VB | 1 | | | | |
| 16 | M2270230000 | SNAP RING A14 VB251 | 1 | | | | |
| 17 | M2270279400 | BOLT | 1 | | | | |
| 18 | M2375103000 | LOCK WASHER | 1 | | | | |
| 19 | M2270020300 | GREASE NIPPLE FOR RUN-ON DEVICE | 1 | | | | |
| 20 | M2270279400 | BOLT | 1 | | | | |
| 21 | M5399000632 | SPRING CONNECTOR | 1 | | | | |
| 22 | M2202092004 | CHAIN FOR SPRING PLUG | 1 | | | | |
| 23 | M2374188000 | REVERSING CLAP COMPLET | 1 | | | | |
| 24 | M5325105002 | WASHER GALV. D 125 10,5 | 1 | | | | |
| 25 | M5394032320 | SPLIT PIN D 94 3,2X32 | 1 | | | | |
| 26 | M2366673000 | LOCKING HANDLE | 1 | | | | |
| 27 | M2270236600 | SPRING RING A22 VB251 | 1 | | | | |

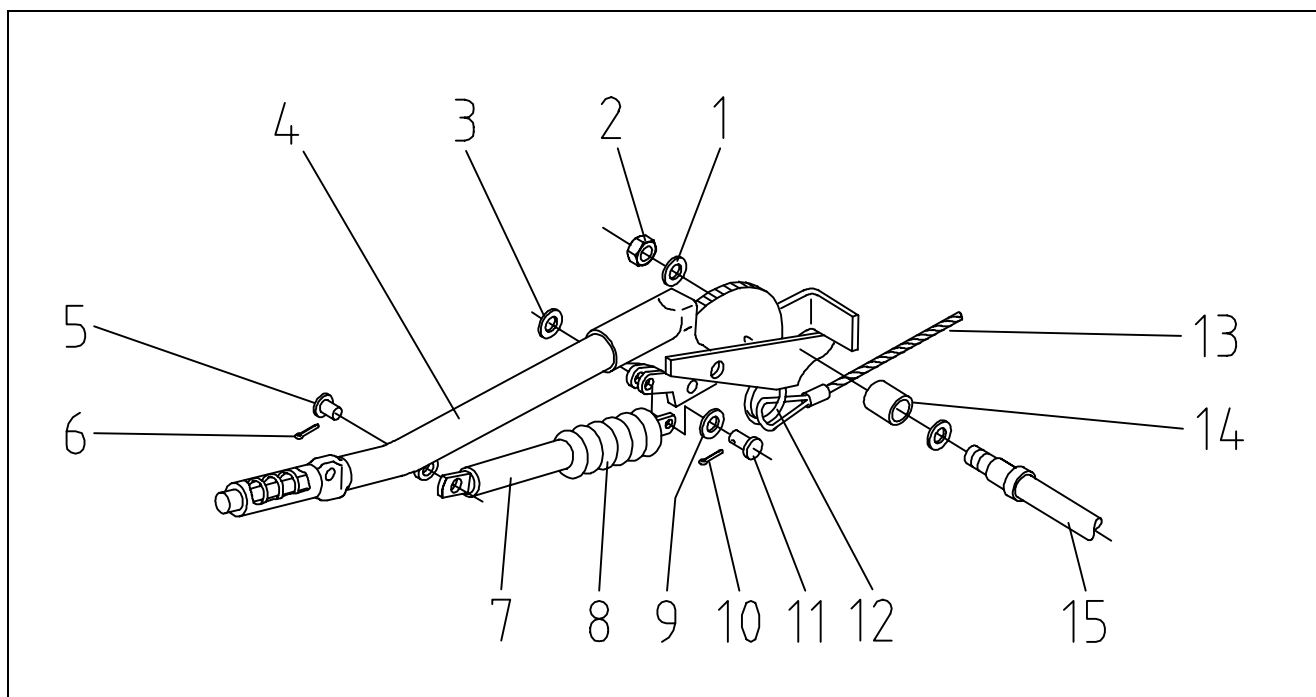


BILD, DESSIN, PICTURE: 43005_2B1.WMF

| POS | ART-NR | BEZEICHNUNG | ST | POS | ART-NR. | BEZEICHNUNG | ST |
|-----|--------------|--|-----|-----|--------------|---|-----|
| POS | NO.D'ARTICLE | DÉSIGNATION | QTÉ | POS | NO.D'ARTICLE | DÉSIGNATION | QTÉ |
| REF | ARTICLE NO | DESCRIPTION | QTY | REF | ARTICLE NO | DESCRIPTION | QTY |
| 1 | M2217171001 | ..ABSCHMIERNIPPEL | 1 | 26 | M2353943000 | ..BUCHSE F.AUFLAUFBR.DC 260/43 | 1 |
| 2 | M6043013000 | ..FETTNIPPEL-KAPPE GPN1300A | 1 | 27 | M2357242000 | ..DISTANZBUCHSE F. KUKO AK 26 | 1 |
| 3 | M5280120000 | ..MUTTER D 980 M12 | 1 | 28 | M5280120000 | ..MUTTER D 980 M12 | 1 |
| 4 | M2217171001 | ..ABSCHMIERNIPPEL | 1 | 29 | M5031160902 | ..SCHRAUBE M16X90 VERZ. 702813 | 1 |
| 5 | M6043013000 | ..FETTNIPPEL-KAPPE GPN1300A | 1 | 30 | M2241041000 | ..ZUGÖSE/VB251/DC260/22+33+43+54 | 1 |
| 6 | M5285100000 | ..MUTTER M10 ,SELBSTSICHERND | 1 | 31 | M5031120652 | ..SCHRAUBE D 931 M12X 65 | 1 |
| 7 | M2375433000 | ..ANSCHLAG,AUFLAUFEINR.TYP251VB, AUSF.B1/B2 | 1 | 32 | M5280120000 | ..MUTTER D 980 M12 | 1 |
| 8 | M2270020300 | ..FETTNIPPEL FÜR AUFLAUFEINRICHTUNG | 1 | 33 | M5031120752 | ..SCHRAUBE DIN 931 M12X75 8.8 | 1 |
| 9 | M6043013000 | ..FETTNIPPEL-KAPPE GPN1300A | 1 | 34 | M2294125000 | ..KUGELKOPFKUPPL.F. DC260/43+FMO | 1 |
| 10 | M2257009000 | ..UMLENKHEBEL,AUSLAUFEINR.251VB AUSF.B2 | 1 | 1 | M2217171001 | ..NIPPLE DE GRAISSAGE | 1 |
| 11 | M5033100252 | ..SCHRAUBE D 933 M 10X 25 | 1 | 2 | M6043013000 | ..GRAISSEUR COIFFE GPN1300A | 1 |
| 12 | M2202092004 | ..KETTE 210MM LG.F. FEDERSTECKER | 1 | 3 | M5280120000 | ..ECROU 6 PANS M12 | 1 |
| 13 | M5399000502 | ..FEDERSTECKER VERZINKT 5,0 | 1 | 4 | M2217171001 | ..NIPPLE DE GRAISSAGE | 1 |
| 14 | M2372776000 | ..LAGERSCHRAUBE DC260/43+B+S | 1 | 5 | M6043013000 | ..GRAISSEUR COIFFE GPN1300A | 1 |
| 15 | M2270349300 | ..SCHNEIDSCHRAUBE A5 | 1 | 6 | M5285100000 | ..ECROU | 1 |
| 16 | M2366356000 | ..FALTENBALG FÜR DC260/43+B+S | 1 | 7 | M2375433000 | ..DISPOSITIF FREINAGE INERTIE SANS BARRE | 1 |
| 17 | M3122878783 | ..KABELBINDER 370 MM | 1 | 8 | M2270020300 | ..NIPPLE GRAISSEUR | 1 |
| 18 | M2371626000 | ..HALTEBOLZEN | 1 | 9 | M6043013000 | ..GRAISSEUR COIFFE GPN1300A | 1 |
| 19 | M5381120500 | ..SPANNHÜLSE D 1481 12X50 | 1 | 10 | M2257009000 | ..LEVIER POUR CHANGER LA DIRECTION | 1 |
| 20 | M5381070500 | ..SPANNHÜLSE D 1481 7X50 | 1 | 11 | M5033100252 | ..BOULON 6 PANS M10X25 | 1 |
| 21 | M2387061000 | ..ZUGROHR FÜR DC 260/43 | 1 | 12 | M2202092004 | ..CHAINE | 1 |
| 22 | M2371372000 | ..DÄMPFUNGSGUMMI F.DC260/43-B-S | 1 | 13 | M5399000502 | ..FICHE 5,0 | 1 |
| 23 | M5282160002 | ..MUTTER M16 SELBSTS.DIN982 | 1 | 14 | M2372776000 | ..BOULON DE PALIER | 1 |
| 24 | M2372641000 | ..STOßDÄMPFER FÜR DC260/43 + B. | 1 | 15 | M2270349300 | ..VIS COUPANTE | 1 |
| 25 | M2353942000 | ..GLEITBUCHSE DC260/43+B+S | 1 | 16 | M2366356000 | ..COUVERTURE FLEXIBLE | 1 |
| | | | | 17 | M3122878783 | ..SERRE CABLE | 1 |

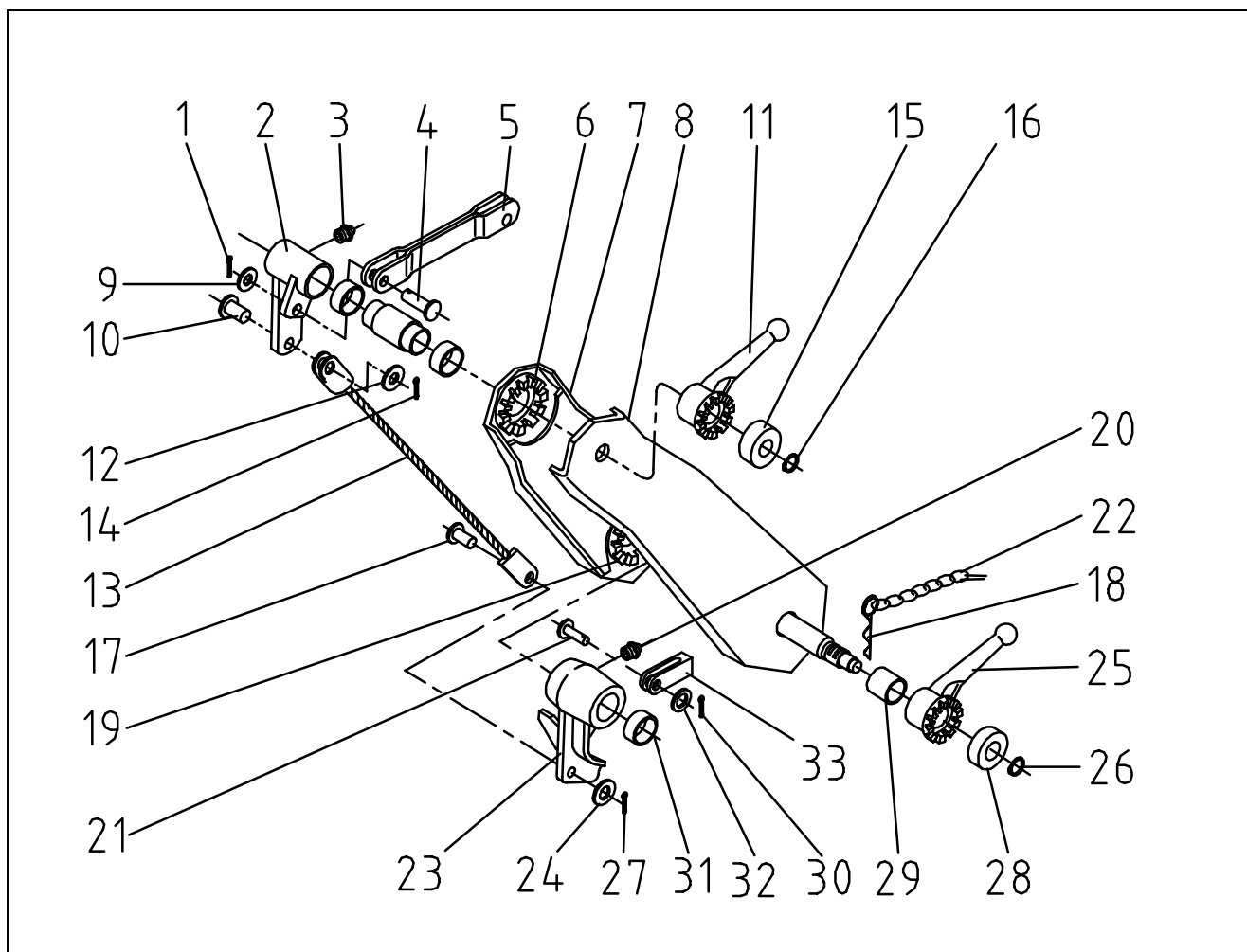


| POS | ART-NR | BEZEICHNUNG | ST | POS | ART-NR. | BEZEICHNUNG | ST |
|-----|--------------|---------------------------------|-----|-----|--------------|-------------|-----|
| POS | NO.D'ARTICLE | DÉSIGNATION | QTÉ | POS | NO.D'ARTICLE | DÉSIGNATION | QTÉ |
| REF | ARTICLE NO | DESCRIPTION | QTY | REF | ARTICLE NO | DESCRIPTION | QTY |
| 18 | M2371626000 | BOULON DE SERRAGE | 1 | | | | |
| 19 | M5381120500 | DOUILLE DE SERRAGE | 1 | | | | |
| 20 | M5381070500 | DOUILLE DE SERRAGE | 1 | | | | |
| 21 | M2387061000 | TUBE TRACTION | 1 | | | | |
| 22 | M2371372000 | ANNEAU DE SERRAGE | 1 | | | | |
| 23 | M5282160002 | ECROU 6 PANS | 1 | | | | |
| 24 | M2372641000 | AMORTISSEUR | 1 | | | | |
| 25 | M2353942000 | CAOUTCHOUC D'AMORTISSEUR | 1 | | | | |
| 26 | M2353943000 | DOUILLE | 1 | | | | |
| 27 | M2357242000 | DOUILLE | 1 | | | | |
| 28 | M5280120000 | ECROU 6 PANS M12 | 1 | | | | |
| 29 | M5031160902 | BOULON M 16X90 | 1 | | | | |
| 30 | M2241041000 | ANNEAU DIN POUR TRANSMIX | 1 | | | | |
| 31 | M5031120652 | BOULON | 1 | | | | |
| 32 | M5280120000 | ECROU 6 PANS M12 | 1 | | | | |
| 33 | M5031120752 | BOULON | 1 | | | | |
| 34 | M2294125000 | TETE A ROTULE COUPLING | 1 | | | | |
| 1 | M2217171001 | GREASE NIPPLE | 1 | | | | |
| 2 | M6043013000 | GREASE-NIPPLE CAP GPN1300A | 1 | | | | |
| 3 | M5280120000 | NUT | 1 | | | | |
| 4 | M2217171001 | GREASE NIPPLE | 1 | | | | |
| 5 | M6043013000 | GREASE-NIPPLE CAP GPN1300A | 1 | | | | |
| 6 | M5285100000 | NUT | 1 | | | | |
| 7 | M2375433000 | RUN ON DEVICE | 1 | | | | |
| 8 | M2270020300 | GREASE NIPPLE | 1 | | | | |
| 9 | M6043013000 | GREASE-NIPPLE CAP GPN1300A | 1 | | | | |
| 10 | M2257009000 | REVERSING LEVER | 1 | | | | |
| 11 | M5033100252 | SCREW | 1 | | | | |
| 12 | M2202092004 | CHAIN FOR SPRING PLUG | 1 | | | | |
| 13 | M5399000502 | SPRING HAIRPIN, GALVANISED 5 MM | 1 | | | | |
| 14 | M2372776000 | BEARING SCREW | 1 | | | | |
| 15 | M2270349300 | CUTTING SCREW | 1 | | | | |
| 16 | M2366356000 | FOLDING BELLOW | 1 | | | | |
| 17 | M3122878783 | CABLE HOLDER | 1 | | | | |
| 18 | M2371626000 | HOLDING BOLT | 1 | | | | |
| 19 | M5381120500 | ADAPTER SLEEVE | 1 | | | | |
| 20 | M5381070500 | ADAPTER SLEEVE | 1 | | | | |
| 21 | M2387061000 | TENSION TUBE | 1 | | | | |
| 22 | M2371372000 | RUBBER SHOCK ABSORBER | 1 | | | | |
| 23 | M5282160002 | HEXAGONAL NUT | 1 | | | | |
| 24 | M2372641000 | SHOCK ABSORBER | 1 | | | | |
| 25 | M2353942000 | SLIDING BUSHING | 1 | | | | |
| 26 | M2353943000 | BUSHING | 1 | | | | |
| 27 | M2357242000 | BUSHING | 1 | | | | |
| 28 | M5280120000 | NUT | 1 | | | | |
| 29 | M5031160902 | SCREW | 1 | | | | |
| 30 | M2241041000 | TRACTION EYE | 1 | | | | |
| 31 | M5031120652 | SCREW | 1 | | | | |
| 32 | M5280120000 | NUT | 1 | | | | |
| 33 | M5031120752 | SCREW | 1 | | | | |
| 34 | M2294125000 | BEARING COUPLER | 1 | | | | |



BILD, DESSIN, PICTURE: 43005_2B2.WMF

| POS | ART-NR | BEZEICHNUNG | ST | POS | ART-NR. | BEZEICHNUNG | ST |
|-----|--------------|---------------------------------|-----|-----|--------------|-------------------------------------|-----|
| POS | NO.D'ARTICLE | DÉSIGNATION | QTÉ | POS | NO.D'ARTICLE | DÉSIGNATION | QTÉ |
| REF | ARTICLE NO | DESCRIPTION | QTY | REF | ARTICLE NO | DESCRIPTION | QTY |
| 1 | M2270285800 | SCHEIBE 12 | 1 | 5 | M2358533000 | RIVET FOR HAND BRAKE LEVER | 1 |
| 2 | M5285120000 | MUTTER D 985 M12 | 1 | 6 | M5394032202 | SPLIT PIN | 1 |
| 3 | M5325130002 | U-SCHEIBE D 125 13,0 | 1 | 7 | M2353188000 | GAS SPRING | 1 |
| 4 | M2241820000 | HANDBREMSHEBEL VB251 | 1 | 8 | M2375181000 | FOLDING BELLOW FOR HAND BRAKE LEVER | 1 |
| 5 | M2358533000 | NIET HANDBREMSHEBEL | 1 | 9 | M2270012500 | SPRING RING | 1 |
| 6 | M5394032202 | SPLINT D 94 3,2X20 VERZ. | 1 | 10 | M5394032202 | SPLIT PIN | 1 |
| 7 | M2353188000 | GASFEDER F.HANDBREM.DC260/43 | 1 | 11 | M2270157500 | BOLT | 1 |
| 8 | M2375181000 | FALTENBALG F.DÄMPFER HANDBREMS. | 1 | 12 | M2204547012 | RING | 1 |
| 9 | M2270012500 | FEDERRING | 1 | 13 | M2353355000 | TEAR-OFF ROPE | 1 |
| 10 | M5394032202 | SPLINT D 94 3,2X20 VERZ. | 1 | 14 | M2365562000 | BEARING BUSHING | 1 |
| 11 | M2270157500 | BOLZEN B12 H11X35 DIN 1444 | 1 | 15 | M2372777000 | BEARING SCREW | 1 |
| 12 | M2204547012 | RINGÖSE F. HANDBREMSHEBEL | 1 | | | | |
| 13 | M2353355000 | ABREIßSEIL DC260/43+B+S | 1 | | | | |
| 14 | M2365562000 | LAGERBUCHSE/UMLENKHEBEL ACHSE | 1 | | | | |
| 15 | M2372777000 | LAGERSCHRAUBE DC260/43+B+S | 1 | | | | |
| 1 | M2270285800 | DISQUE | 1 | | | | |
| 2 | M5285120000 | ECROU 6 PANS | 1 | | | | |
| 3 | M5325130002 | DISQUE D 125 13,0 | 1 | | | | |
| 4 | M2241820000 | LEVIER FREIN A MAIN 251/351 | 1 | | | | |
| 5 | M2358533000 | RIVET POUR LEVIER FREIN A MAIN | 1 | | | | |
| 6 | M5394032202 | GOUPILLE | 1 | | | | |
| 7 | M2353188000 | RESSORT PNEUMATIQUE | 1 | | | | |
| 8 | M2375181000 | SOUFFLET DE TIMON | 1 | | | | |
| 9 | M2270012500 | ANNEAU A RESSORT | 1 | | | | |
| 10 | M5394032202 | GOUPILLE | 1 | | | | |
| 11 | M2270157500 | BOULON | 1 | | | | |
| 12 | M2204547012 | ANNEAU | 1 | | | | |
| 13 | M2353355000 | CABLE | 1 | | | | |
| 14 | M2365562000 | BOISSEAU | 1 | | | | |
| 15 | M2372777000 | VIS DE FIXATION | 1 | | | | |
| 1 | M2270285800 | WASHER | 1 | | | | |
| 2 | M5285120000 | SCREW | 1 | | | | |
| 3 | M5325130002 | WASHER D 125 13,0 | 1 | | | | |
| 4 | M2241820000 | HAND BRAKE LEVER VB251 | 1 | | | | |

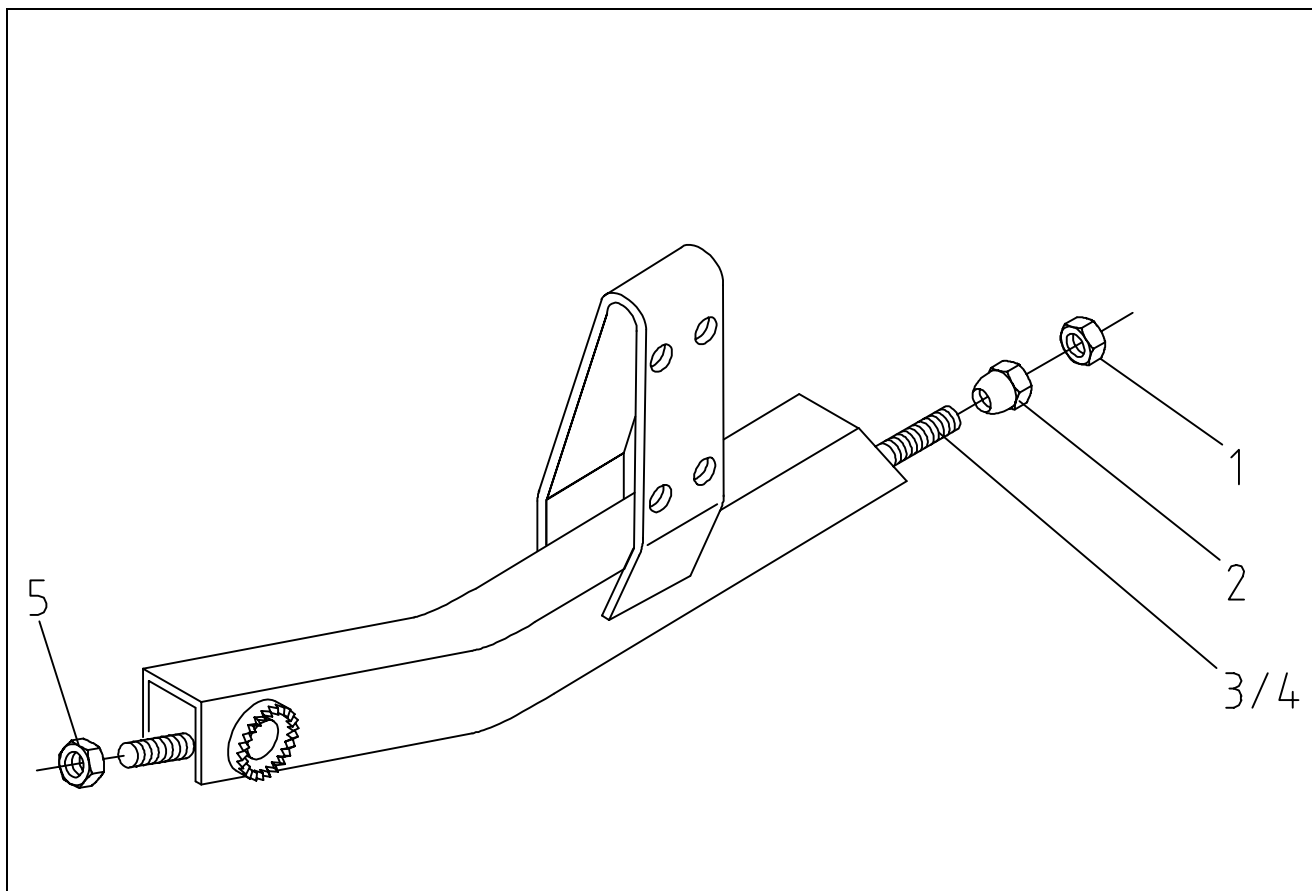


BILD, DESSIN, PICTURE: 43005_2B3

| POS | ART-NR. | BEZEICHNUNG | ST | POS | ART-NR. | BEZEICHNUNG | ST |
|-----|--------------|--|-----|-----|--------------|---------------------------------------|-----|
| POS | NO.D'ARTICLE | DÉSIGNATION | QTÉ | POS | NO.D'ARTICLE | DÉSIGNATION | QTÉ |
| REF | ARTICLE NO | DESCRIPTION | QTY | REF | ARTICLE NO | DESCRIPTION | QTY |
| 1 | M5394032320 | SPLINT D 94 3,2X32 | 1 | 22 | M2202092004 | KETTE 210MM LG. F. FEDERSTECKER | 1 |
| 2 | M2257009200 | UMLENKHEBEL KPL.DC260/43 ARM | 1 | 23 | M2374188000 | UMLENKHEBEL. KPL. VB251 | 1 |
| 3 | M2270020300 | FETTNIPPEL FÜR AUFLAUFEINRICHTUNG | 1 | 24 | M5325105002 | U-SCHEIBE 10,5 | 1 |
| 4 | M2270279400 | BOLZEN B10H 11X30 | 1 | 25 | M2366673000 | KNEBELMUTTER DC260/43+B+S | 1 |
| 5 | M2257008700 | DRUCKSTANGE GESCHW.FÜR 251VB UND 161VB | 1 | 26 | M2270236600 | SPRENGRING A22 VB251 | 1 |
| 6 | M2375102000 | SICHERUNGSSCHEIBE OBEN,251VB AUSF.B1/B2 | 1 | 27 | M5394032320 | SPLINT D 94 3,2X32 | 1 |
| 7 | M2257069500 | ZWISCHENSTÜCK RECHTS | 1 | 28 | M2372771000 | BUCHSE FÜR AUFLAUFEINRICHTUNG | 1 |
| 8 | M2257178300 | ZWISCHENSTÜCK LINKS | 1 | 29 | M2365562000 | LAGERBUCHSE/UMLENKHEBEL ACHSE | 1 |
| 9 | M5325105002 | U-SCHEIBE 10,5 | 1 | 30 | M5394032320 | SPLINT D 94 3,2X32 | 1 |
| 10 | M2270279400 | BOLZEN B10H 11X30 | 1 | 31 | M2270191700 | GLEITLAGER F.UMLENKHEBEL ACHSE | 1 |
| 11 | M2202404002 | KNEBELMUTTER M20+KETTE+STECKER | 1 | 32 | M5325105002 | U-SCHEIBE 10,5 | 1 |
| 12 | M5325105002 | U-SCHEIBE 10,5 | 1 | 33 | M2270073900 | GABELGELENK KPL. M10 X 40 A | 1 |
| 13 | M2374187000 | SEILZUG DC 260/43 | 1 | 1 | M5394032320 | GOUPILLE D 94 3,2X32 | 1 |
| 14 | M5394032320 | SPLINT D 94 3,2X32 | 1 | 2 | M2257009200 | LEVIER DE RENVOI COMPLET | 1 |
| 15 | M2372770000 | BUCHSE 251VB, AUSF.B1/B2 | 1 | 3 | M2270020300 | NIPPLE A GRAISSE | 1 |
| 16 | M2270230000 | SPRENGRING A14 VB251 | 1 | 4 | M2270279400 | BOULON | 1 |
| 17 | M2270279400 | BOLZEN B10H 11X30 | 1 | 5 | M2257008700 | PERCHE DE PRESSION | 1 |
| 18 | M5399000632 | FEDERSTECKER VERZINKT 6,3 | 1 | 6 | M2375102000 | RONDELLE BLOCAGE | 1 |
| 19 | M2375103000 | SICHERUNGSSCHEIBE UNTEN,251VB AUSF.B1/B2 | 1 | 7 | M2257069500 | PIECE INTERMEDIAIRE | 1 |
| 20 | M2270020300 | FETTNIPPEL FÜR AUFLAUFEINRICHTUNG | 1 | 8 | M2257178300 | PIECE INTERMEDIAIRE | 1 |
| 21 | M2270279400 | BOLZEN B10H 11X30 | 1 | 9 | M5325105002 | RONDELLE DE SERRAGE GALV. D 125 10,51 | 1 |
| | | | | 10 | M2270279400 | BOULON | 1 |
| | | | | 11 | M2202404002 | LEVIER DE BLOCAGE | 1 |

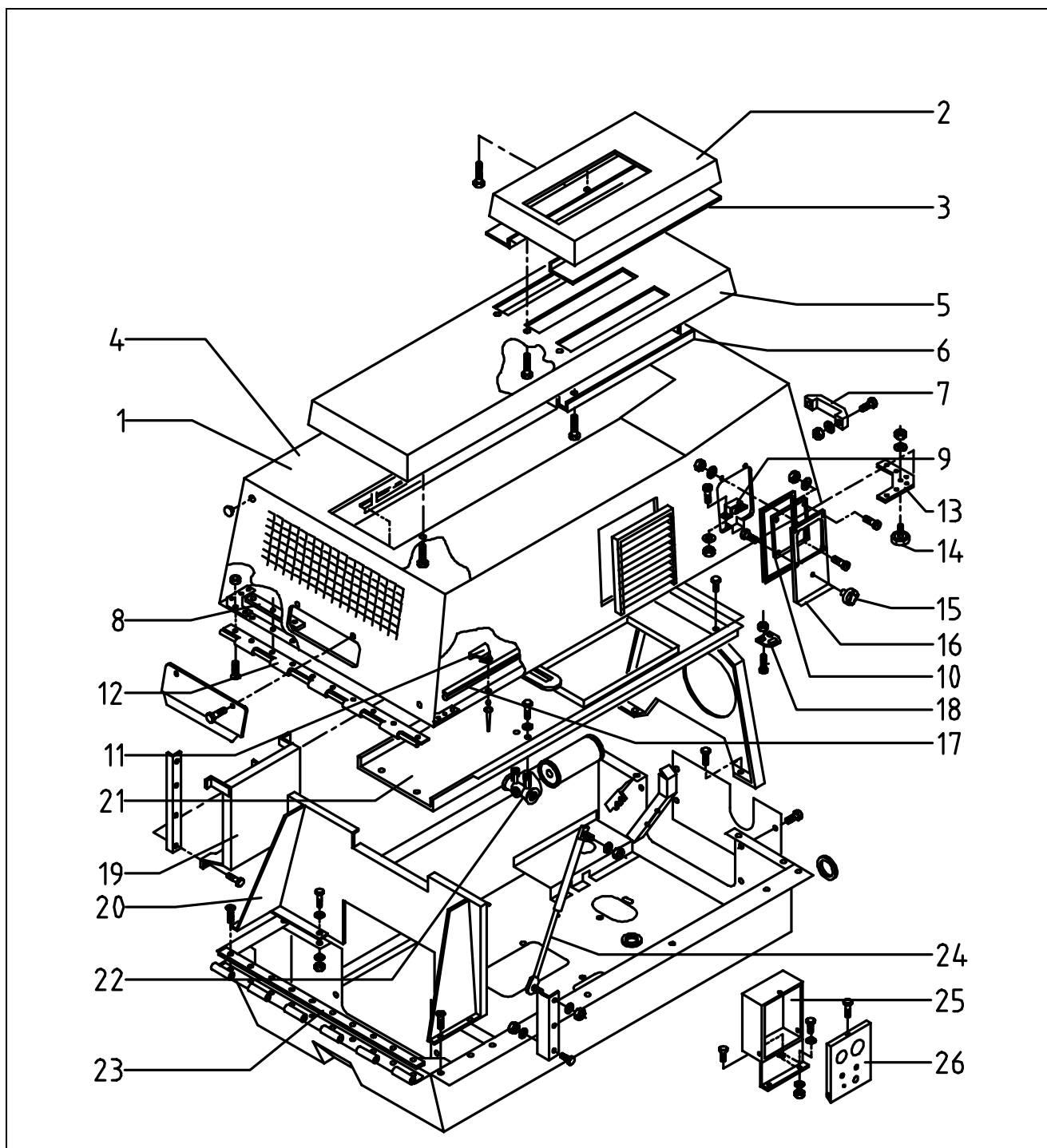


| POS | ART-NR | BEZEICHNUNG | ST | POS | ART-NR. | BEZEICHNUNG | ST |
|-----|--------------|---|-----|-----|--------------|-------------|-----|
| POS | NO.D ARTICLE | DÉSIGNATION | QTÉ | POS | NO.D ARTICLE | DÉSIGNATION | QTÉ |
| REF | ARTICLE NO | DESCRIPTION | QTY | REF | ARTICLE NO | DESCRIPTION | QTY |
| 12 | M5325105002 | RONDELLE DE SERRAGE GALV. D 125 10,5 | 1 | | | | |
| 13 | M2374187000 | TRACTION DE CABLE | 1 | | | | |
| 14 | M5394032320 | GOUPILLE D 94 3,2X32 | 1 | | | | |
| 15 | M2372770000 | DOUILLE 251VB | 1 | | | | |
| 16 | M2270230000 | CIRCLIP A14 VB251 | 1 | | | | |
| 17 | M2270279400 | BOULON | 1 | | | | |
| 18 | M5399000632 | FICHE A RESSORT | 1 | | | | |
| 19 | M2375103000 | RONDELLE BLOCAGE | 1 | | | | |
| 20 | M2270020300 | NIPPLE A GRAISSE | 1 | | | | |
| 21 | M2270279400 | BOULON | 1 | | | | |
| 22 | M2202092004 | CHAINE DIN 5686 | 1 | | | | |
| 23 | M2374188000 | LEVIER DE RENVOI CPL | 1 | | | | |
| 24 | M5325105002 | RONDELLE DE SERRAGE GALV. | 1 | | | | |
| 25 | M2366673000 | LEVIER DE BLOCAGE | 1 | | | | |
| 26 | M2270236600 | BAGUE DE RETENUE A22 VB251 | 1 | | | | |
| 27 | M5394032320 | GOUPILLE D 94 3,2X32 | 1 | | | | |
| 28 | M2372771000 | DOUILLE VB251 POUR DISPOSITIF FREINAGE A INERTIE | 1 | | | | |
| 29 | M2365562000 | BOISSEAU | 1 | | | | |
| 30 | M5394032320 | GOUPILLE D 94 3,2X32 | 1 | | | | |
| 31 | M2270191700 | COULISSEAU | 1 | | | | |
| 32 | M5325105002 | RONDELLE DE SERRAGE GALV. D 125 10,5 | 1 | | | | |
| 33 | M2270073900 | TETE DE CARDAN CPL. M 10X40 A | 1 | | | | |
| 1 | M5394032320 | SPLIT PIN D 94 3,2X32 | 1 | | | | |
| 2 | M2257009200 | REVERSING LEVER | 1 | | | | |
| 3 | M2270020300 | GREASE NIPPLE FOR RUN-ON DEVICE | 1 | | | | |
| 4 | M2270279400 | BOLT | 1 | | | | |
| 5 | M2257008700 | FORCING LEVER | 1 | | | | |
| 6 | M2375102000 | LOCK WASHER | 1 | | | | |
| 7 | M2257069500 | TRANSITION PIECE | 1 | | | | |
| 8 | M2257178300 | TRANSITION PIECE | 1 | | | | |
| 9 | M5325105002 | WASHER GALV. D 125 10,5 | 1 | | | | |
| 10 | M2270279400 | BOLT | 1 | | | | |
| 11 | M2202404002 | LOCKING LEVER M20 + CHAIN + CONNECTOR | 1 | | | | |
| 12 | M5325105002 | WASHER GALV. D 125 10,5 | 1 | | | | |
| 13 | M2374187000 | PULLEY SYSTEM | 1 | | | | |
| 14 | M5394032320 | SPLIT PIN D 94 3,2X32 | 1 | | | | |
| 15 | M2372770000 | BUSHING 251VB | 1 | | | | |
| 16 | M2270230000 | SNAP RING A14 VB251 | 1 | | | | |
| 17 | M2270279400 | BOLT | 1 | | | | |
| 18 | M5399000632 | SPRING CONNECTOR | 1 | | | | |
| 19 | M2375103000 | LOCK WASHER | 1 | | | | |
| 20 | M2270020300 | GREASE NIPPLE FOR RUN-ON DEVICE | 1 | | | | |
| 21 | M2270279400 | BOLT | 1 | | | | |
| 22 | M2202092004 | CHAIN FOR SPRING PLUG | 1 | | | | |
| 23 | M2374188000 | REVERSING CLAP COMPLET | 1 | | | | |
| 24 | M5325105002 | WASHER GALV. D 125 10,5 | 1 | | | | |
| 25 | M2366673000 | LOCKING HANDLE | 1 | | | | |
| 26 | M2270236600 | SPRING RING A22 VB251 | 1 | | | | |
| 27 | M5394032320 | SPLIT PIN D 94 3,2X32 | 1 | | | | |
| 28 | M2372771000 | BEARING BUSH VB251 FOR RUN-ON DEVICE | 1 | | | | |
| 29 | M2365562000 | BEARING BUSHING | 1 | | | | |
| 30 | M5394032320 | SPLIT PIN D 94 3,2X32 | 1 | | | | |
| 31 | M2270191700 | FRICITION BEARING | 1 | | | | |
| 32 | M5325105002 | WASHER GALV. D 125 10,5 | 1 | | | | |
| 33 | M2270073900 | ARTICULATED HEAD CPL. M 10X40 A | 1 | | | | |



BILD, DESSIN, PICTURE: 43011

| POS | ART-NR | BEZEICHNUNG | ST | POS | ART-NR. | BEZEICHNUNG | ST |
|-----|--------------|--------------------------------|-----|-----|--------------|--------------------------|-----|
| POS | NO.D'ARTICLE | DÉSIGNATION | QTÉ | POS | NO.D'ARTICLE | DÉSIGNATION | QTÉ |
| REF | ARTICLE NO | DESCRIPTION | QTY | REF | ARTICLE NO | DESCRIPTION | QTY |
| 1 | M5234100002 | MUTTER D 934 M 10 | 1 | 1 | M5234100002 | ECROU 6 PANS M10 DIN 934 | 1 |
| 2 | M2208889006 | KUGELMUTTER M10-BREMSSTANGE | 1 | 2 | M2208889006 | ECROU AB M10 | 1 |
| 3 | M2375755000 | ZUGSTANGE DC260/43 ARM | 1 | 3 | M2375755000 | TIRANT 10X1650 | 1 |
| 4 | M2258072500 | ZUGSTANGE DC260/43 B/SCH ARMBS | 1 | 4 | M2258072500 | TIRANT 10X1800 | 1 |
| 5 | M5234100002 | MUTTER D 934 M 10 | 1 | 5 | M5234100002 | ECROU 6 PANS M10 DIN 934 | 1 |
| 1 | M5234100002 | NUT, GALV. M10 | 1 | 1 | M5234100002 | NUT, GALV. M10 | 1 |
| 2 | M2208889006 | DOME NUT M10 102088 | 1 | 2 | M2208889006 | DOME NUT M10 102088 | 1 |
| 3 | M2375755000 | TENSION ROD 10X1650 | 1 | 3 | M2375755000 | TENSION ROD 10X1650 | 1 |
| 4 | M2258072500 | TENSION ROD | 1 | 4 | M2258072500 | TENSION ROD | 1 |
| 5 | M5234100002 | NUT, GALV. M10 | 1 | 5 | M5234100002 | NUT, GALV. M10 | 1 |

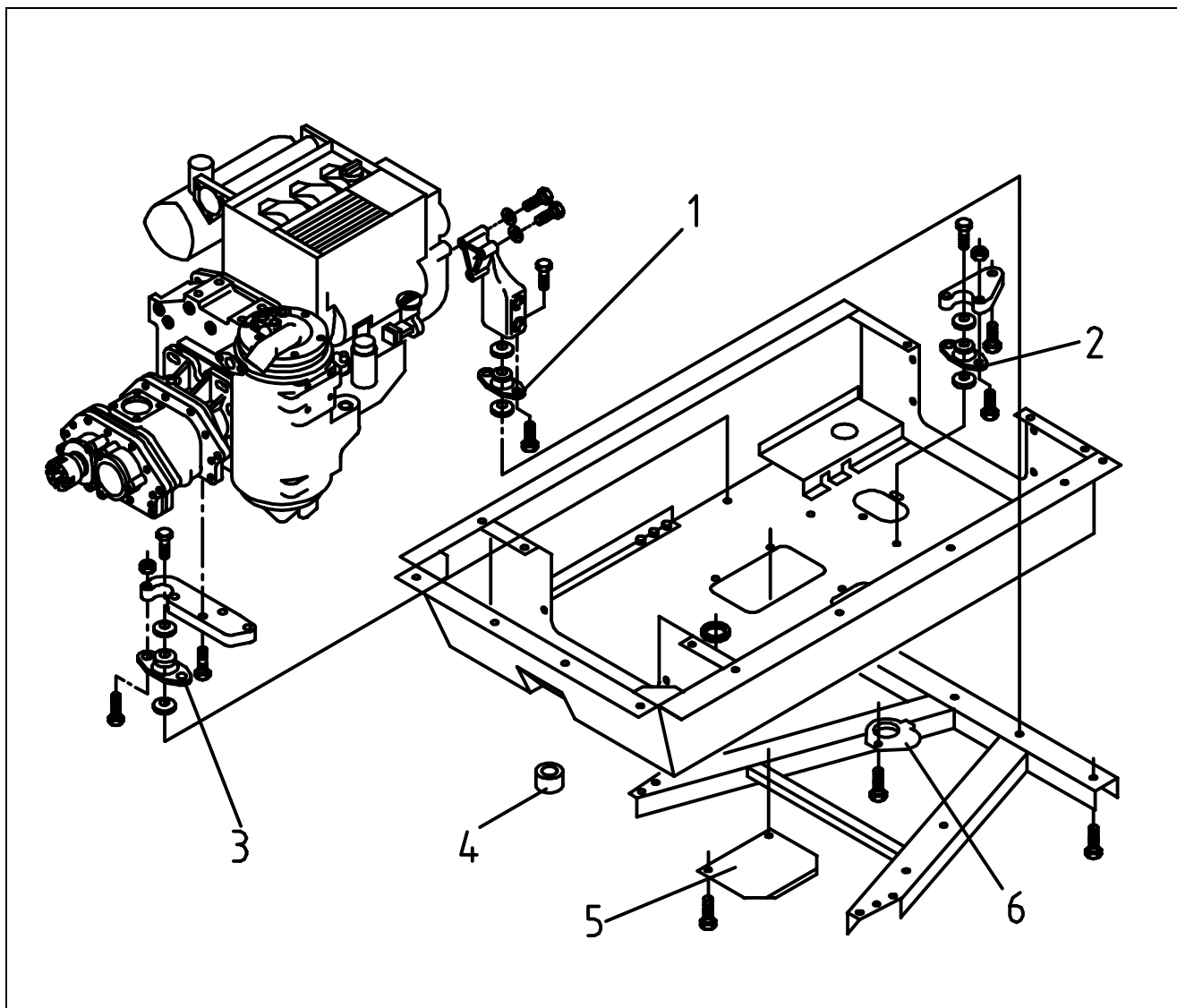


BILD, DESSIN, PICTURE: 43019.WMF

| POS | ART-NR | BEZEICHNUNG | ST | POS | ART-NR. | BEZEICHNUNG | ST |
|-----|--------------|--|-----|-----|--------------|----------------------------------|-----|
| POS | NO.D'ARTICLE | DÉSIGNATION | QTÉ | POS | NO.D'ARTICLE | DÉSIGNATION | QTÉ |
| REF | ARTICLE NO | DESCRIPTION | QTY | REF | ARTICLE NO | DESCRIPTION | QTY |
| 1 | M4264020000 | DÄMMSTOFF SK 1180X740X25 | 1 | 9 | M2116193800 | GREIFER-ARMATUR/DC 260/3 + 4 | 1 |
| 2 | M2116154985 | KANAL/ABLUFTKASTEN | 1 | 10 | M2116155924 | SI-FENSTER DC260/33+43 NEU AUSF. | 1 |
| 3 | M2116154992 | PLATTE FÜR HAUBE | 1 | 11 | M2116156252 | KLAMMER FÜR HAUBENDICHTUNG | 1 |
| 4 | M2116136455 | HAUBE F. DC 260/33+43, LACK IN ORANGE, O. ANBAUTEN | 1 | 12 | M2105020110 | SCHARNIERBAND F.DC260/43 1,1M | 1 |
| 5 | M2116136462 | KANAL/ANSAUGKASTEN | 1 | 13 | M2105020200 | VERSTÄRKUNGSWINKEL HAUBE | 1 |
| 6 | M2116136463 | SCHIRM/ANSAUGKASTEN | 1 | 14 | M4253062510 | GUMMIPUFFER M6X18 D25 H10 | 1 |
| 7 | M2112028673 | GRIFF FÜR HAUBE FMO 200/2+3 | 1 | 15 | M2104381671 | HANDGRIFF/SICHTF. | 1 |
| 8 | M1805009100 | SCHARNIERVERSTÄRKUNGSLEISTE | 2 | 16 | M2116156246 | KLAPPE/ARMATUR DC 260/43 | 1 |
| | | | | 17 | M2116196858 | DICHTUNG/HAUBE | 1 |

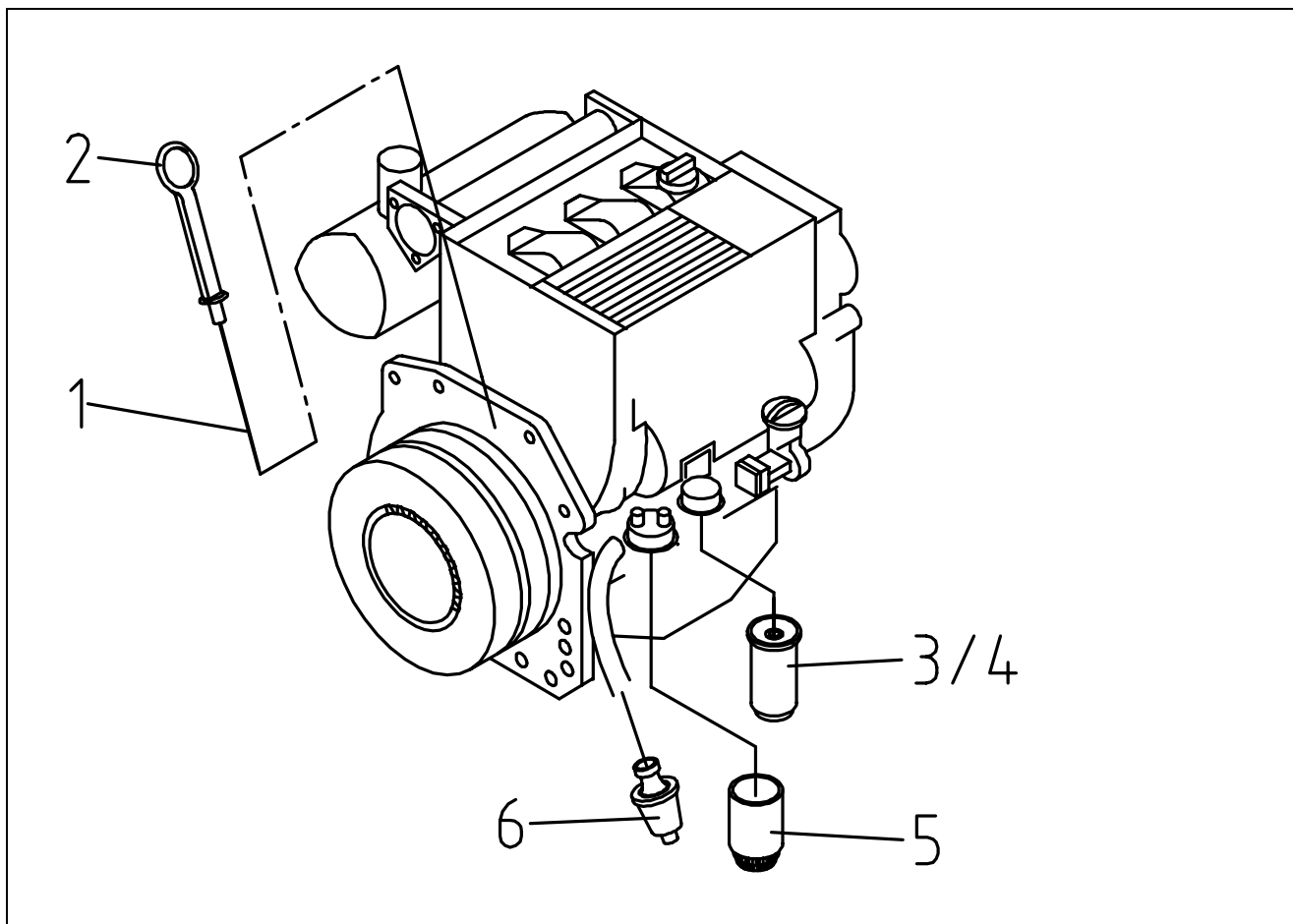


| POS | ART-NR | BEZEICHNUNG | ST | POS | ART-NR. | BEZEICHNUNG | ST |
|-----|--------------|-------------------------------------|-----|-----|--------------|--------------------|-----|
| POS | NO.D'ARTICLE | DÉSIGNATION | QTÉ | POS | NO.D'ARTICLE | DÉSIGNATION | QTÉ |
| REF | ARTICLE NO | DESCRIPTION | QTY | REF | ARTICLE NO | DESCRIPTION | QTY |
| 18 | M2112028644 | ...PLATTE FÜR HAUBENSICHERUNG | 1 | 22 | M2116122668 | ..HOUSING | 1 |
| 19 | M2116136460 | ...ABLENKPL.HINT.D.SEITL.ANSAUGGI | 1 | 23 | M1805009100 | ..REINFORCEMENT | 2 |
| 20 | M2116136451 | ...PLATTE VERSTÄRKUNG | 1 | 24 | M2116195192 | ..GAS SPRING | 1 |
| 21 | M2116136453 | ...PLATTE | 1 | 25 | M2116155854 | ..INSTRUMENT BOX | 1 |
| 22 | M2116122668 | ...HALTER FÜR ÖLFILTER VERDICHTER | 1 | 26 | M2116155264 | ..INSTRUMENT PANEL | 1 |
| 23 | M1805009100 | ...SCHARNIERVERSTÄRKUNGSLEISTE | 2 | 27 | M2116123874 | ..GRATING | 1 |
| 24 | M2116195192 | ...LIFTOMAT F.HAUBE DC 260/33-43 | 1 | | | | |
| 25 | M2116155854 | ...INSTRUMENTENKAST.HINT. DC 260/43 | 1 | | | | |
| 26 | M2116155264 | ...INSTRUMENTENTAFEL VORN DC 260/43 | 1 | | | | |
| 27 | M2116123874 | ...SEITLI.ANSAUGGI.F.MOTORHAUBE | 1 | | | | |
| 1 | M4264020000 | ...CAPOT | 1 | | | | |
| 2 | M2116154985 | ...CAPOT | 1 | | | | |
| 3 | M2116154992 | ...PLAQUE | 1 | | | | |
| 4 | M2116136455 | ...CAPOT POUR DC 260/33 + 43 | 1 | | | | |
| 5 | M2116136462 | ...CANAL | 1 | | | | |
| 6 | M2116136463 | ...GRILLE | 1 | | | | |
| 7 | M2112028673 | ...POIGNEE POUR CAPOT FMO 200/2+3 | 1 | | | | |
| 8 | M1805009100 | ...CHARNIERE DE RENTFORT | 2 | | | | |
| 9 | M2116193800 | ...ARRETOIR | 1 | | | | |
| 10 | M2116155924 | ...CUVETTE | 1 | | | | |
| 11 | M2116156252 | ...COLLIER | 1 | | | | |
| 12 | M2105020110 | ...CHARNIERE | 1 | | | | |
| 13 | M2105020200 | ...ANGLE DE RENFORT | 1 | | | | |
| 14 | M4253062510 | ...CAOUTCHOUC AMORTISSEUR | 1 | | | | |
| 15 | M2104381671 | ...POIGNEE | 1 | | | | |
| 16 | M2116156246 | ...TABLEAU DE PORTE | 1 | | | | |
| 17 | M2116196858 | ...JOINT | 1 | | | | |
| 18 | M2112028644 | ...PLAQUE | 1 | | | | |
| 19 | M2116136460 | ...DE FLECTEUR | 1 | | | | |
| 20 | M2116136451 | ...DE FLECTEUR | 1 | | | | |
| 21 | M2116136453 | ...TOIT | 1 | | | | |
| 22 | M2116122668 | ...CORPS | 1 | | | | |
| 23 | M1805009100 | ...CHARNIERE DE RENTFORT | 2 | | | | |
| 24 | M2116195192 | ...VERIN PNEUMAT. | 1 | | | | |
| 25 | M2116155854 | ...TABLEAU DE BOX | 1 | | | | |
| 26 | M2116155264 | ...TABLEAU DE BORD | 1 | | | | |
| 27 | M2116123874 | ...GRILLE | 1 | | | | |
| 1 | M4264020000 | ...HOOD | 1 | | | | |
| 2 | M2116154985 | ...HOOD | 1 | | | | |
| 3 | M2116154992 | ...PERF. PLATE | 1 | | | | |
| 4 | M2116136455 | ...HOOD | 1 | | | | |
| 5 | M2116136462 | ...DUCT | 1 | | | | |
| 6 | M2116136463 | ...SCREEN | 1 | | | | |
| 7 | M2112028673 | ...HANDGRIP FOR HOOD FMO 200/2+3 | 1 | | | | |
| 8 | M1805009100 | ...REINFORCEMENT | 2 | | | | |
| 9 | M2116193800 | ...CATCH | 1 | | | | |
| 10 | M2116155924 | ...SIGHT GLASS | 1 | | | | |
| 11 | M2116156252 | ...CLAMP | 1 | | | | |
| 12 | M2105020110 | ...HINGE | 1 | | | | |
| 13 | M2105020200 | ...STRENGTHENING ANGLE | 1 | | | | |
| 14 | M4253062510 | ...RUBBER BUFFER | 1 | | | | |
| 15 | M2104381671 | ...PALM GRIP | 1 | | | | |
| 16 | M2116156246 | ...INSTRUMENT DOOR | 1 | | | | |
| 17 | M2116196858 | ...SEAL | 1 | | | | |
| 18 | M2112028644 | ...PLATE | 1 | | | | |
| 19 | M2116136460 | ...BAFFLE | 1 | | | | |
| 20 | M2116136451 | ...BAFFLE | 1 | | | | |
| 21 | M2116136453 | ...ROOF PLATE | 1 | | | | |



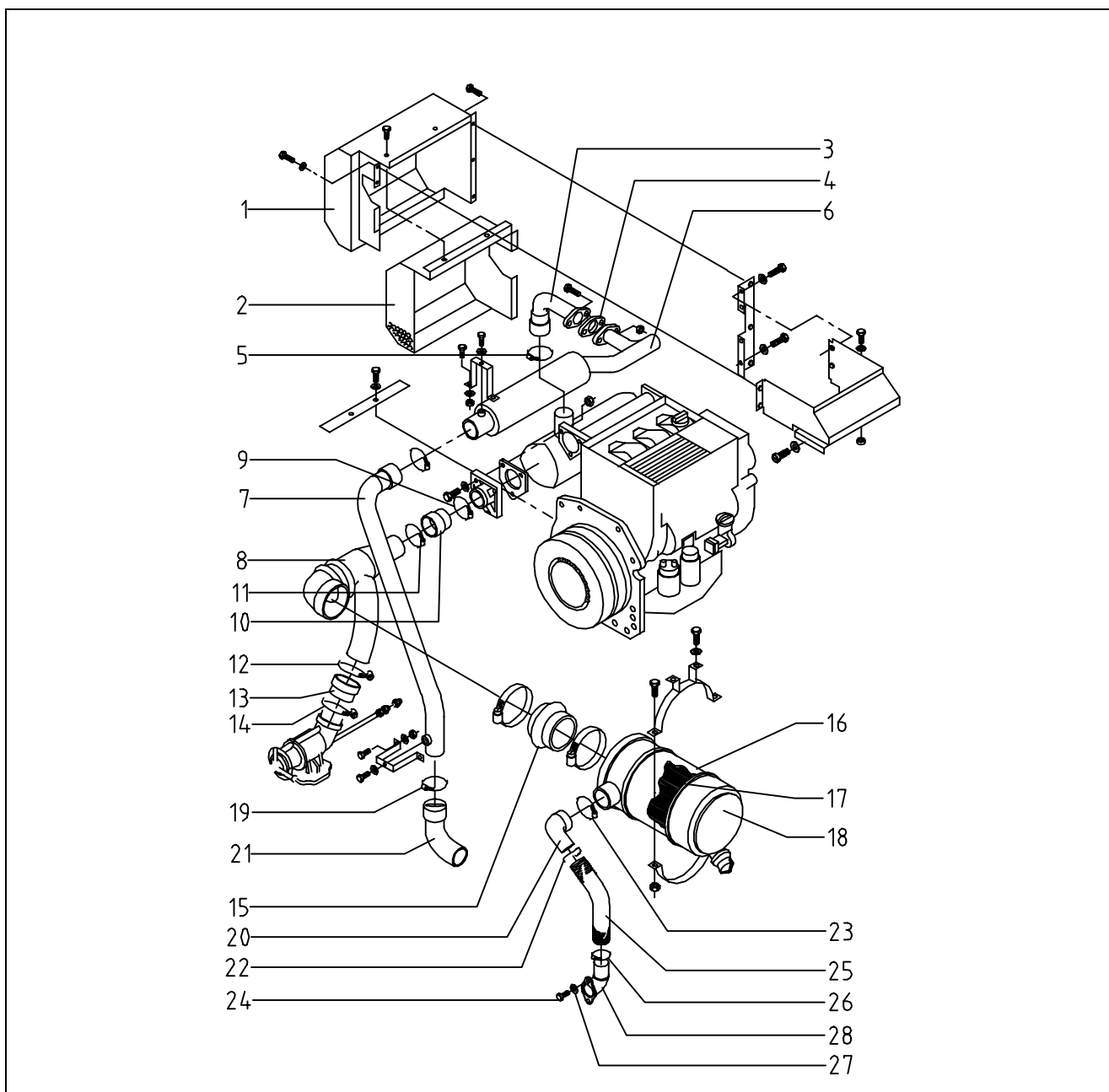
BILD, DESSIN, PICTURE: 43042.WMF

| POS | ART-NR | BEZEICHNUNG | ST | POS | ART-NR. | BEZEICHNUNG | ST |
|-----|--------------|------------------------------------|-----|-----|--------------|-----------------------|-----|
| POS | NO.D'ARTICLE | DÉSIGNATION | QTÉ | POS | NO.D'ARTICLE | DÉSIGNATION | QTÉ |
| REF | ARTICLE NO | DESCRIPTION | QTY | REF | ARTICLE NO | DESCRIPTION | QTY |
| 1 | M2112028718 | PUFFER MOTOR/KOMPRESSEUR DC 260/43 | 1 | 1 | M2112028718 | AMORTISSEUR ANTIVIBR. | 1 |
| 2 | M2112028718 | PUFFER MOTOR/KOMPRESSEUR DC 260/43 | 1 | 2 | M2112028718 | AMORTISSEUR ANTIVIBR. | 1 |
| 3 | M2112028718 | PUFFER MOTOR/KOMPRESSEUR DC 260/43 | 1 | 3 | M2112028718 | AMORTISSEUR ANTIVIBR. | 1 |
| 5 | M2112028641 | PLATTE FOND/BODENWANNE DC 260/43 | 1 | 5 | M2112028641 | TOILE DE FOND | 1 |
| 6 | M2116154860 | PLATTE | 1 | 6 | M2116154860 | COUVERCLE | 1 |
| 1 | M2112028718 | AMORTISSEUR ANTIVIBR. | 1 | | | | |
| 2 | M2112028718 | AMORTISSEUR ANTIVIBR. | 1 | | | | |
| 3 | M2112028718 | AMORTISSEUR ANTIVIBR. | 1 | | | | |
| 5 | M2112028641 | TOILE DE FOND | 1 | | | | |
| 6 | M2116154860 | COUVERCLE | 1 | | | | |
| 1 | M2112028718 | ANTIVIBRATION PAD | 1 | | | | |
| 2 | M2112028718 | ANTIVIBRATION PAD | 1 | | | | |
| 3 | M2112028718 | ANTIVIBRATION PAD | 1 | | | | |
| 5 | M2112028641 | BOTTOM PLATE | 1 | | | | |
| 6 | M2116154860 | COVER | 1 | | | | |



BILD, DESSIN, PICTURE: 43023.WMF

| POS | ART-NR | BEZEICHNUNG | ST | POS | ART-NR. | BEZEICHNUNG | ST |
|-----|--------------|------------------------------------|-----|-----|--------------|-------------------------------|-----|
| POS | NO.D'ARTICLE | DÉSIGNATION | QTÉ | POS | NO.D'ARTICLE | DÉSIGNATION | QTÉ |
| REF | ARTICLE NO | DESCRIPTION | QTY | REF | ARTICLE NO | DESCRIPTION | QTY |
| 1 | M2004191201 | ÖLPEILSTAB F. ÖLSTANDSÜBERWACH... | 1 | 1 | M2004191201 | VELTE D'HUILE..... | 1 |
| 2 | M2004172948 | ÖLMEßSTAB FÜR MOTOR F3L 1011 | 1 | 2 | M2004172948 | JAUGE DE NIVEAU D'HUILE | 1 |
| 3 | M2001174417 | MOTORÖLFIL.F2L-F4L1011/F2L511..... | 1 | 3 | M2001174417 | FILTRE A HUILE | 1 |
| 4 | M2001174416 | MOTORÖLFILTER F3L1011F | 1 | 4 | M2001174416 | FILTRE A HUILE | 1 |
| 5 | M2001174696 | KRAFTSTOFFILT.F2-4L 1011 | 1 | 5 | M2001174696 | FILTRE A COMBUSTIBLE | 1 |
| 6 | M2197120104 | KRAFTSTOFF-VORFILTER DC260/43..... | 1 | 6 | M2197120104 | PREFILTRE A COMBUSTIBLE | 1 |
| 1 | M2004191201 | ÖLPEILSTAB F. ÖLSTANDSÜBERWACH... | 1 | 1 | M2004191201 | OIL LEVEL PLUNGE | 1 |
| 2 | M2004172948 | ÖLMEßSTAB FÜR MOTOR F3L 1011 | 1 | 2 | M2004172948 | OIL DIP ROD | 1 |
| 3 | M2001174417 | MOTORÖLFIL.F2L-F4L1011/F2L511..... | 1 | 3 | M2001174417 | ENGINE OIL FILTER..... | 1 |
| 4 | M2001174416 | MOTORÖLFILTER F3L1011F | 1 | 4 | M2001174416 | ENGINE OIL FILTER..... | 1 |
| 5 | M2001174696 | KRAFTSTOFFILT.F2-4L 1011 | 1 | 5 | M2001174696 | FUEL FILTER | 1 |
| 6 | M2197120104 | KRAFTSTOFF-VORFILTER DC260/43..... | 1 | 6 | M2197120104 | FUEL PRE FILTER..... | 1 |

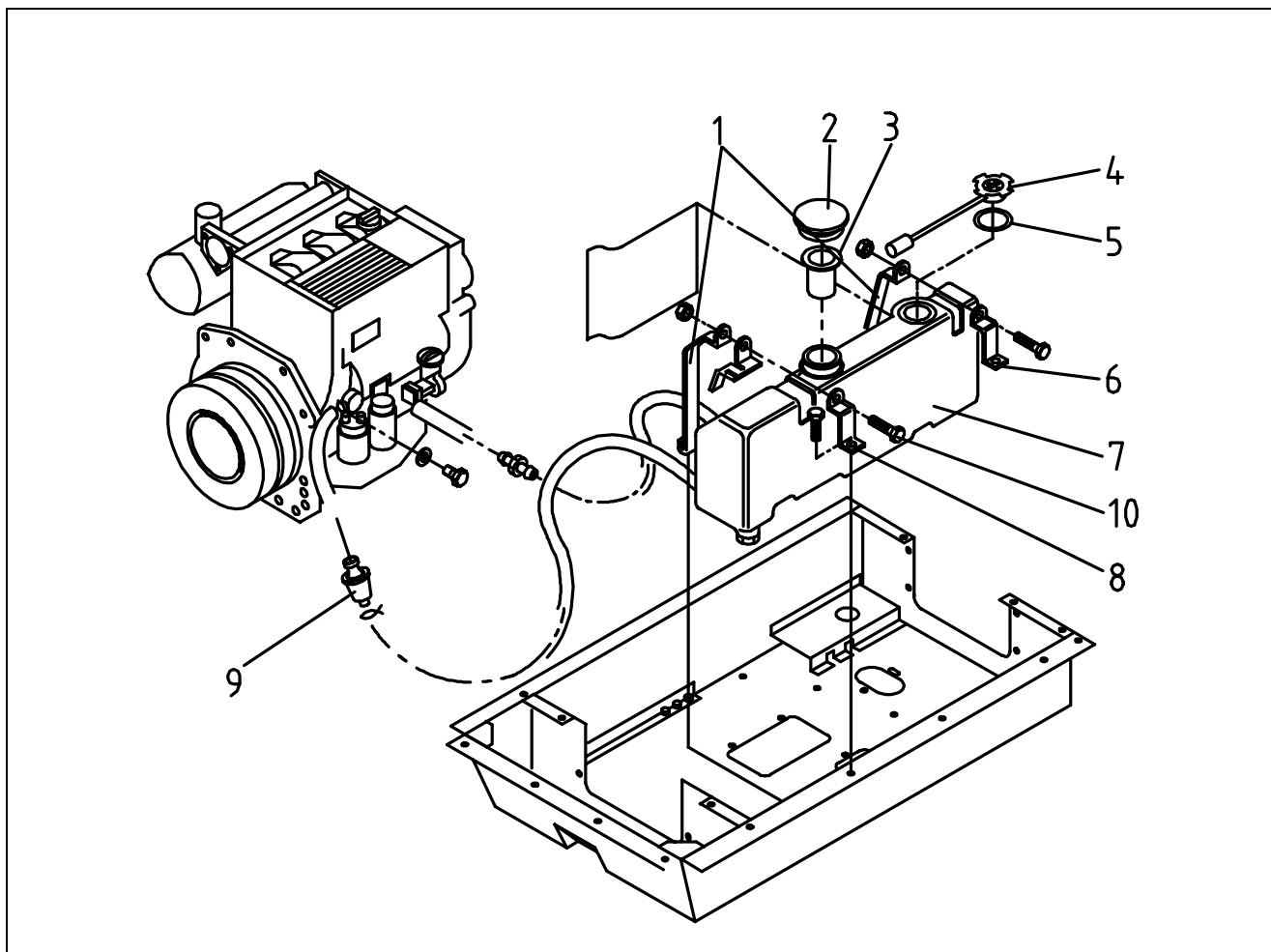


BILD, DESSIN, PICTURE: 43036.WMF

| POS | ART-NR | BEZEICHNUNG | ST | POS | ART-NR. | BEZEICHNUNG | ST |
|-----|--------------|-------------------------------------|-----|-----|--------------|----------------------------------|-----|
| POS | NO.D'ARTICLE | DÉSIGNATION | QTÉ | POS | NO.D'ARTICLE | DÉSIGNATION | QTÉ |
| REF | ARTICLE NO | DESCRIPTION | QTY | REF | ARTICLE NO | DESCRIPTION | QTY |
| 1 | M2112028736 | LUFTKANAL F.AUSPUFFKRÜMMER | 1 | 15 | M2116155290 | SCHLAUCH F. LUFTFILTER DC 260/43 | 1 |
| 2 | M2112028737 | AUSPUFFABDECKUNGSBL.GELOCHT | 1 | 16 | M2116157820 | LUFTFILTERGEHÄ.KPL. 260/43 NEU | 1 |
| 3 | M2112029899 | AUSPUFFROHR/KRÜMMER DC 260/43 | 1 | 17 | M2116137408 | LUFTFILTEREINS.DC260/43 08/96 | 1 |
| 4 | M2001120836 | DICHTUNG FÜR OVALFLANSCH | 1 | 18 | M2129149309 | LUFTF.-SICHERHEITSPATR. 08/96 | 1 |
| 5 | M2103463001 | KLEMME AUSPU. DC 260/43 | 3 | 19 | M2103463001 | KLEMME AUSPU. DC 260/43 | 3 |
| 6 | M2116136464 | AUSPUFFSCHALLDÄMPFER DC260/43 | 1 | 20 | M2116158664 | KRÜMMER(LUFTFILTER),LUFTANSAU | 1 |
| 7 | M2116136465 | AUSPUFFROHR F.DC260/33+43 | 1 | 21 | M2116155007 | AUSPUFF-ENDROHR DC 260/43 | 1 |
| 8 | M2112028686 | ANSAUGLEIT.MOT/VERD. DC 260/43 | 1 | 22 | M3601127090 | SCHLAUCHSCHELLE 70-90/12 | 2 |
| 9 | M2103474373 | KLEMME/ANSAUGLEI. DC 260/43 | 3 | 23 | M2103476115 | KLEMME/ANSAUGKRÜMMER DC 260/43 | 1 |
| 10 | M2116155291 | SCHLAUCH/ANSAUG MO/VERD. DC 260/432 | 1 | 24 | M5033080252 | SCHRAUBE D 933 M 8X 25 | 1 |
| 11 | M2103474373 | KLEMME/ANSAUGLEI. DC 260/43 | 3 | 25 | M2116158665 | SCHLAUCH,LUFTANSAUGUNG | 1 |
| 12 | M2103474377 | KLEMME/ANSAUGLEI. DC 260/43 | 1 | 26 | M3601127090 | SCHLAUCHSCHELLE 70-90/12 | 2 |
| 13 | M2116155291 | SCHLAUCH/ANSAUG MO/VERD. DC 260/432 | 1 | 27 | M5325084002 | U-SCHEIBE D 125 8,4 | 1 |
| 14 | M2103474373 | KLEMME/ANSAUGLEI. DC 260/43 | 3 | 28 | M2116158661 | KRÜMMER(KAROSSERIE),LUFTANSAU | 1 |

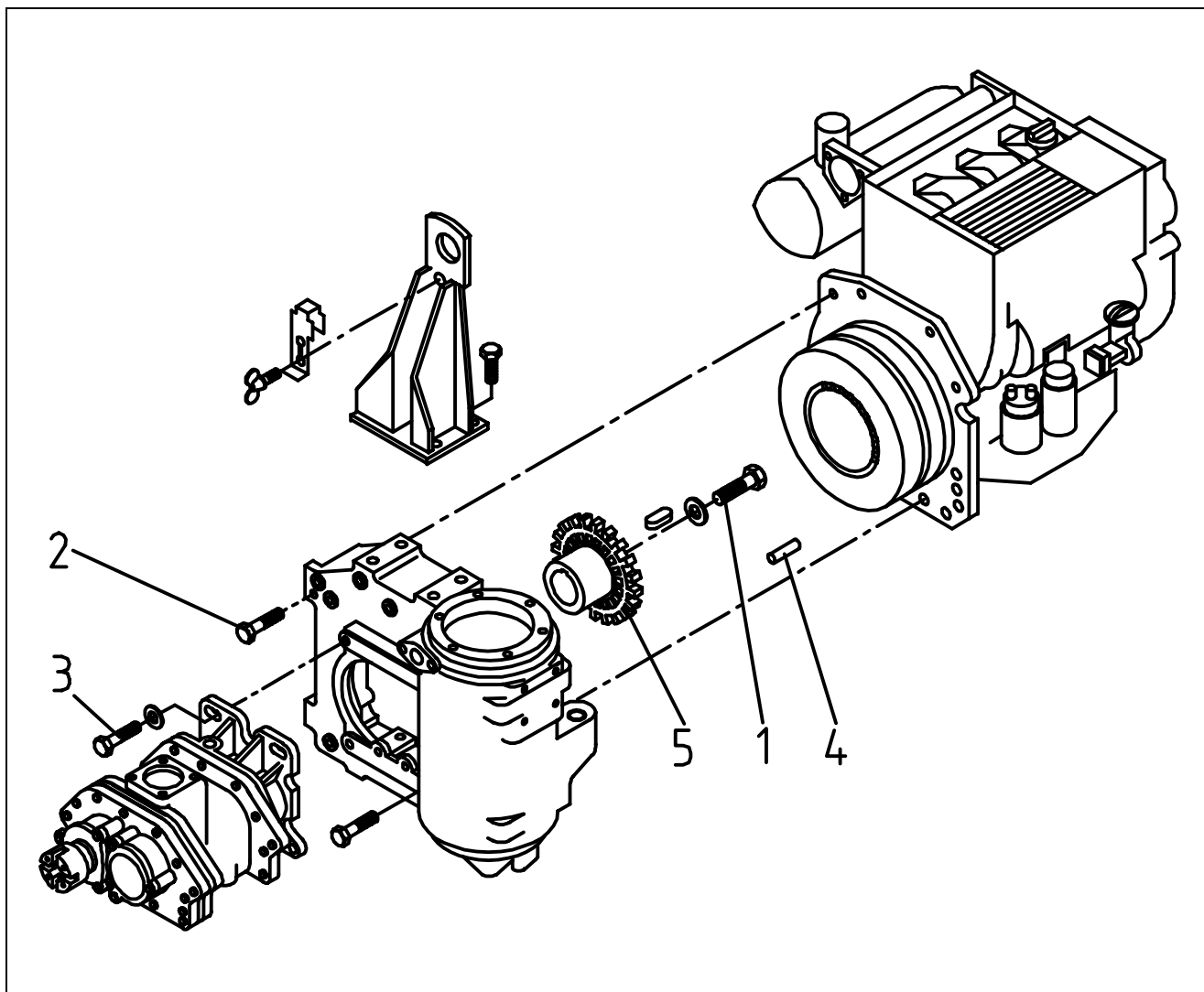


| POS | ART-NR | BEZEICHNUNG | ST | POS | ART-NR. | BEZEICHNUNG | ST |
|-----|--------------|-------------------------|-----|-----|--------------|-------------|-----|
| POS | NO.D'ARTICLE | DÉSIGNATION | QTÉ | POS | NO.D'ARTICLE | DÉSIGNATION | QTÉ |
| REF | ARTICLE NO | DESCRIPTION | QTY | REF | ARTICLE NO | DESCRIPTION | QTY |
| 29 | M2103463001 | KLEMME AUSPU. DC 260/43 | 3 | | | | |
| 1 | M2112028736 | CONDUITE DAIR | 1 | | | | |
| 2 | M2112028737 | GRILLE | 1 | | | | |
| 3 | M2112029899 | TUYAU, ECHAPPEMENT | 1 | | | | |
| 4 | M2001120836 | JOINT | 1 | | | | |
| 5 | M2103463001 | COLLIER | 3 | | | | |
| 6 | M2116136464 | SILENCIEUX | 1 | | | | |
| 7 | M2116136465 | TUYAU, ECHAPPEMENT | 1 | | | | |
| 8 | M2112028686 | TUYAU DASPIRATION | 1 | | | | |
| 9 | M2103474373 | COLLIER, TUYAU | 3 | | | | |
| 10 | M2116155291 | TUYAU | 2 | | | | |
| 11 | M2103474373 | COLLIER, TUYAU | 3 | | | | |
| 12 | M2103474377 | COLLIER, TUYAU | 1 | | | | |
| 13 | M2116155291 | TUYAU | 2 | | | | |
| 14 | M2103474373 | COLLIER, TUYAU | 3 | | | | |
| 15 | M2116155290 | TUYAU | 1 | | | | |
| 16 | M2116157820 | FILTRE A AIR | 1 | | | | |
| 17 | M2116137408 | ELEMENT DE FILTRE A AIR | 1 | | | | |
| 18 | M2129149309 | CARTOUCHE FUSIBLE | 1 | | | | |
| 19 | M2103463001 | COLLIER | 3 | | | | |
| 20 | M2116158664 | TUYAU DAIR | 1 | | | | |
| 21 | M2116155007 | ZUYAU, ECHAPPEMENT | 1 | | | | |
| 22 | M3601127090 | COLLIER | 2 | | | | |
| 23 | M2103476115 | COLLIER, TUYAU | 1 | | | | |
| 24 | M5033080252 | VIS | 1 | | | | |
| 25 | M2116158665 | TUYAU | 1 | | | | |
| 26 | M3601127090 | COLLIER | 2 | | | | |
| 27 | M5325084002 | RONDELLE | 1 | | | | |
| 28 | M2116158661 | TUYAU COURBE | 1 | | | | |
| 29 | M2103463001 | COLLIER | 3 | | | | |
| 1 | M2112028736 | AIRDUCT | 1 | | | | |
| 2 | M2112028737 | SCREEN | 1 | | | | |
| 3 | M2112029899 | EXHAUST PIPE | 1 | | | | |
| 4 | M2001120836 | GASKET | 1 | | | | |
| 5 | M2103463001 | CLAMP | 3 | | | | |
| 6 | M2116136464 | MUFFLER | 1 | | | | |
| 7 | M2116136465 | EXHAUST PIPE | 1 | | | | |
| 8 | M2112028686 | SUCTION PIPE | 1 | | | | |
| 9 | M2103474373 | HOSE CLIP | 3 | | | | |
| 10 | M2116155291 | HUMP HOSE | 2 | | | | |
| 11 | M2103474373 | HOSE CLIP | 3 | | | | |
| 12 | M2103474377 | HOSE CLIP | 1 | | | | |
| 13 | M2116155291 | HUMP HOSE | 2 | | | | |
| 14 | M2103474373 | HOSE CLIP | 3 | | | | |
| 15 | M2116155290 | HUMP HOSE | 1 | | | | |
| 16 | M2116157820 | AIR FILTER | 1 | | | | |
| 17 | M2116137408 | AIR FILTER ELEMENT | 1 | | | | |
| 18 | M2129149309 | SAFETY CARTRIDGE | 1 | | | | |
| 19 | M2103463001 | CLAMP | 3 | | | | |
| 20 | M2116158664 | AIR PIPE | 1 | | | | |
| 21 | M2116155007 | EXHAUST PIPE | 1 | | | | |
| 22 | M3601127090 | HOSE BAND CLAMP | 2 | | | | |
| 23 | M2103476115 | HOSE CLIP | 1 | | | | |
| 24 | M5033080252 | SCREW | 1 | | | | |
| 25 | M2116158665 | HOSE | 1 | | | | |
| 26 | M3601127090 | HOSE BAND CLAMP | 2 | | | | |
| 27 | M5325084002 | PLAIN WASHER | 1 | | | | |
| 28 | M2116158661 | MANIFOLD | 1 | | | | |
| 29 | M2103463001 | CLAMP | 3 | | | | |



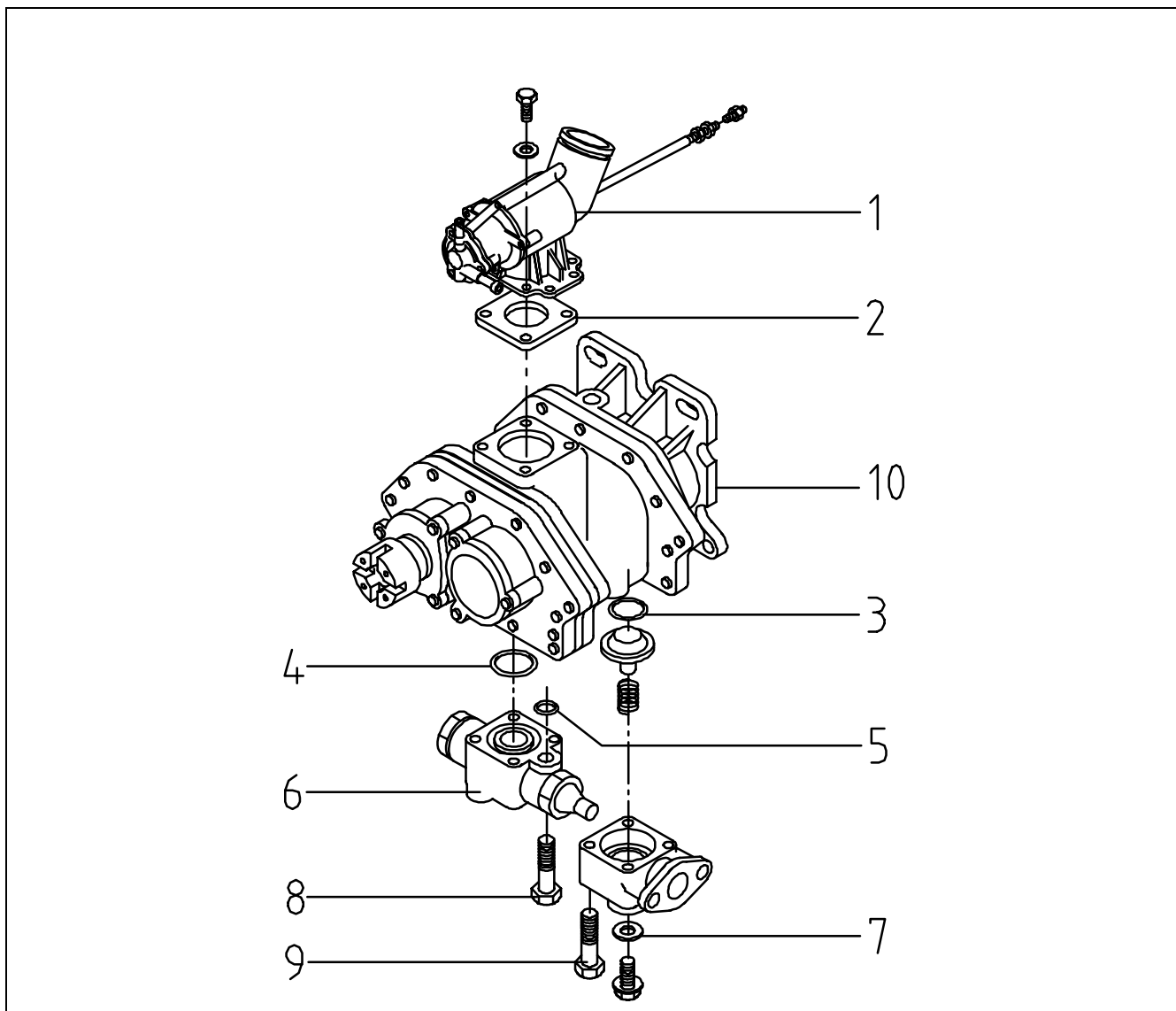
BILD, DESSIN, PICTURE: 43024.WMF

| POS | ART-NR | BEZEICHNUNG | ST | POS | ART-NR. | BEZEICHNUNG | ST |
|-----|--------------|----------------------------------|-----|-----|--------------|---------------------|-----|
| POS | NO.D'ARTICLE | DÉSIGNATION | QTÉ | POS | NO.D'ARTICLE | DÉSIGNATION | QTÉ |
| REF | ARTICLE NO | DESCRIPTION | QTY | REF | ARTICLE NO | DESCRIPTION | QTY |
| 1 | M2116155297 | BAND/HALTER F.TANK DC 260/43 | 1 | 5 | M2116155065 | ..SEAL | 1 |
| 2 | M2116196591 | TANKDECKEL/DC 260/3 + 4 | 1 | 6 | M2116155296 | ..BRACKET | 2 |
| 3 | M2116196590 | SIEB-TANK DC 260/3 - 4 +43 | 1 | 7 | M2112028777 | ..FUELTANK ASSEMBLY | 1 |
| 4 | M2116155061 | TANKANZEIGE DC260/22-43 | 1 | 8 | M2116155296 | ..BRACKET | 2 |
| 5 | M2116155065 | ..DICHTUNG FÜR TANKANZEIGE MECH. | 1 | 9 | M2197120104 | ..FUEL PRE FILTER | 1 |
| 6 | M2116155296 | ..HALTER | 2 | 10 | M5033080252 | ..SCREW | 1 |
| 7 | M2112028777 | ..DIESELTANK FÜR DC 260/33 + 43 | 1 | | | | |
| 8 | M2116155296 | ..HALTER | 2 | | | | |
| 9 | M2197120104 | ..KRAFTSTOFF-VORFILTER DC260/43 | 1 | | | | |
| 10 | M5033080252 | ..SCHRAUBE D 933 M 8X 25 | 1 | | | | |
| 1 | M2116155297 | ..COURROIE | 1 | | | | |
| 2 | M2116196591 | ..COUVERCLE | 1 | | | | |
| 3 | M2116196590 | ..TAMIS | 1 | | | | |
| 4 | M2116155061 | ..INDICATEUR DE NIVEAU | 1 | | | | |
| 5 | M2116155065 | ..JOINT | 1 | | | | |
| 6 | M2116155296 | ..SUPPORT | 2 | | | | |
| 7 | M2112028777 | ..RESERVOIR, COMBUSTIBLE | 1 | | | | |
| 8 | M2116155296 | ..SUPPORT | 2 | | | | |
| 9 | M2197120104 | ..PREFILTRE A COMBUSTIBLE | 1 | | | | |
| 10 | M5033080252 | ..VIS | 1 | | | | |
| 1 | M2116155297 | ..STRAP | 1 | | | | |
| 2 | M2116196591 | ..COVER | 1 | | | | |
| 3 | M2116196590 | ..STRAINER | 1 | | | | |
| 4 | M2116155061 | ..LEVEL INDICATOR | 1 | | | | |



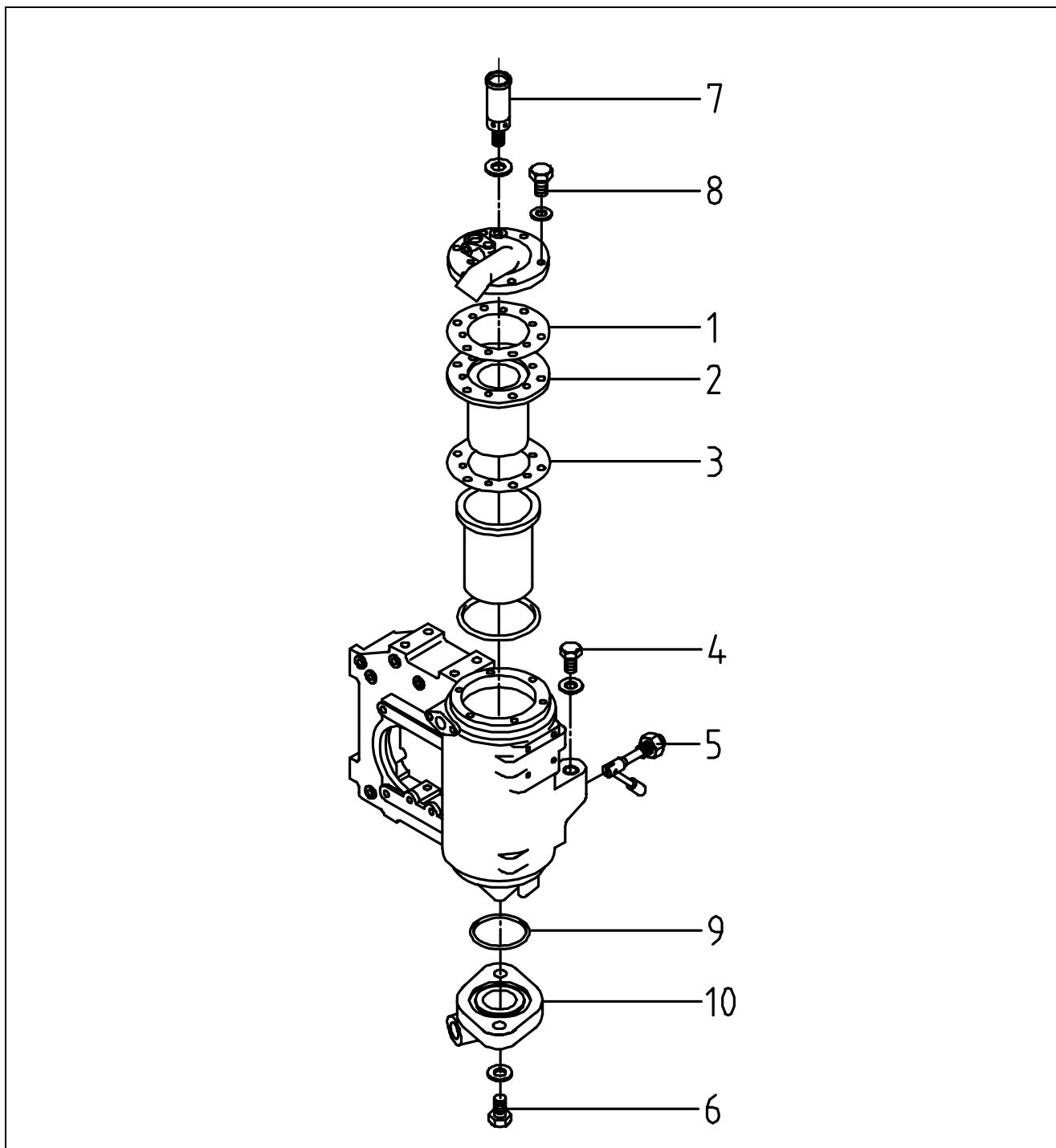
BILD, DESSIN, PICTURE:43025.WMF

| POS | ART-NR | BEZEICHNUNG | ST | POS | ART-NR. | BEZEICHNUNG | ST |
|-----|--------------|-------------------------------|-----|-----|--------------|--------------------|-----|
| POS | NO.D'ARTICLE | DÉSIGNATION | QTÉ | POS | NO.D'ARTICLE | DÉSIGNATION | QTÉ |
| REF | ARTICLE NO | DESCRIPTION | QTY | REF | ARTICLE NO | DESCRIPTION | QTY |
| 1 | M5033120702 | SCHRAUBE D 933 M 12X 70 | 1 | 1 | M5033120702 | HEXAGON BOLT | 1 |
| 2 | M5031141400 | SCHRAUBE D 931 M14X140 | 1 | 2 | M5031141400 | HEXAGON BOLT | 1 |
| 3 | M5033100352 | SCHRAUBE D 933 M 10X 35 VERZ. | 1 | 3 | M5033100352 | HEXAGON BOLT | 1 |
| 4 | M2101083417 | STIFT,KUPPLUNGSELEMENT | 1 | 4 | M2101083417 | GOUPILLE ELASTIQUE | 1 |
| 5 | M2112028713 | KUPPLUNGSELEMENT F. DC 260/43 | 1 | 5 | M2112028713 | ACCOUPLEMENT | 1 |



BILD, DESSIN, PICTURE: 43049.WMF

| POS | ART-NR | BEZEICHNUNG | ST | POS | ART-NR. | BEZEICHNUNG | ST |
|-----|--------------|----------------------------------|-----|-----|--------------|------------------------------------|-----|
| POS | NO.D'ARTICLE | DÉSIGNATION | QTÉ | POS | NO.D'ARTICLE | DÉSIGNATION | QTÉ |
| REF | ARTICLE NO | DESCRIPTION | QTY | REF | ARTICLE NO | DESCRIPTION | QTY |
| 1 | M2116135488 | ENTLASTUNGSVENT.KPL.F.DC260/43 | 1 | 10 | M2129890117 | COMPRESSEUR DC 260/43 | 1 |
| 2 | M2112026999 | DICHTUNG VERD./EINLASSV. DC260/4 | 1 | 1 | M2116135488 | UNLOADING VALVE | 1 |
| 3 | M2106637138 | O-RING RÜ-VENTIL VERD.DC260/4 | 1 | 2 | M2112026999 | GASKET | 1 |
| 4 | M2106637135 | O-RING | 1 | 3 | M2106637138 | O-RING | 1 |
| 5 | M2106633120 | O-RING OELSTOPVENTIL DC 260/4-43 | 1 | 4 | M2106637135 | O-RING | 1 |
| 6 | M2112028675 | ÖLABSPERRV. DC260/43 | 1 | 5 | M2106633120 | O-RING | 1 |
| 7 | M2106611033 | DICHTRING | 1 | 6 | M2112028675 | OIL STOP VALVE | 1 |
| 8 | M5031080802 | SCHRAUBE D 931 M 8X 80 | 1 | 7 | M2106611033 | SEALING WASHER | 1 |
| 9 | M5031100802 | SCHRAUBE D 931 M10X 80 | 1 | 8 | M5031080802 | HEXAGON BOLT | 1 |
| 10 | M2129890117 | VERDICHTERBLOCK DC 260/43 | 1 | 9 | M5031100802 | HEXAGON BOLT | 1 |
| 1 | M2116135488 | SOUPAPE DE DECHARGE | 1 | 10 | M2129890117 | COMPRESSOR SCREW ELEMENT DC 260/43 | 1 |
| 2 | M2112026999 | JOINT | 1 | | | | |
| 3 | M2106637138 | ANNEAU TORIQUE | 1 | | | | |
| 4 | M2106637135 | ANNEAU TORIQUE | 1 | | | | |
| 5 | M2106633120 | ANNEAU TORIQUE | 1 | | | | |
| 6 | M2112028675 | CLAPET DARRET | 1 | | | | |
| 7 | M2106611033 | RONDELLE DETANCHEITE | 1 | | | | |
| 8 | M5031080802 | BOULON A TETE HEXAGONALE | 1 | | | | |
| 9 | M5031100802 | BOULON A TETE HEXAGONALE | 1 | | | | |

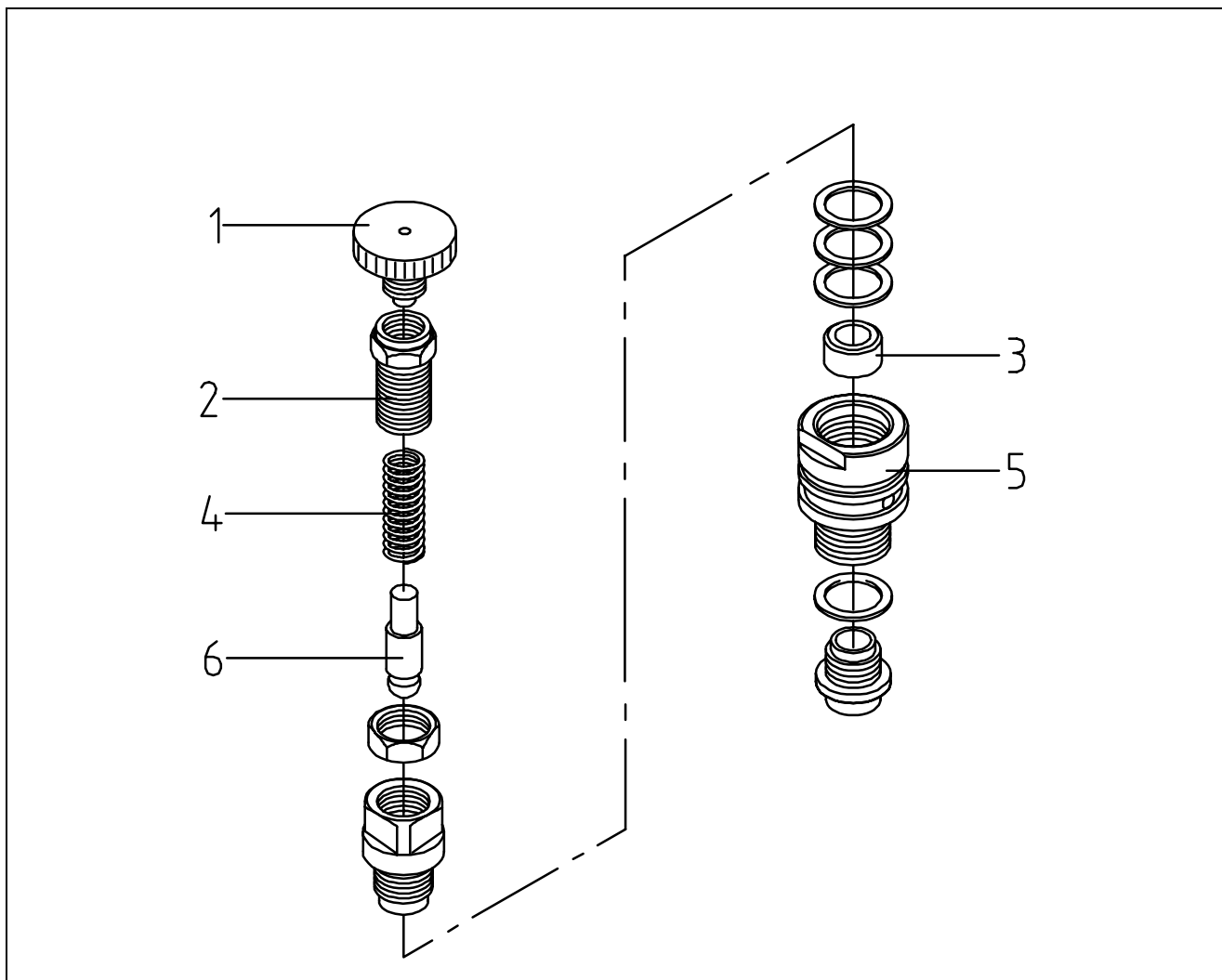


BILD, DESSIN, PICTURE: 43028.WMF

| POS | ART-NR | BEZEICHNUNG | ST | POS | ART-NR. | BEZEICHNUNG | ST |
|-----|--------------|--|-----|-----|--------------|---|-----|
| POS | NO.D'ARTICLE | DESIGNATION | QTÉ | POS | NO.D'ARTICLE | DESIGNATION | QTÉ |
| REF | ARTICLE NO | DESCRIPTION | QTY | REF | ARTICLE NO | DESCRIPTION | QTY |
| 1 | M2112028723 | DICHTUNG/ÖLELEMENT DC260/43 | 2 | 9 | M2106637142 | O-RING | 1 |
| 2 | M2112028722 | LUFTENTÖLELEMENT DC260/43,INCL.2 DICHT. | 1 | 10 | M2112028726 | VERSCHLUSSFLANSCH UNTEN/ÖLBEHÄLTER DC 260/43 | 1 |
| 3 | M2112028723 | DICHTUNG/ÖLELEMENT DC260/43 | 2 | 1 | M2112028723 | JOINT | 2 |
| 4 | M2116155080 | ÖLEINFÜLLSTOPFEN DC260/43 | 1 | 2 | M2112028722 | SEPARATEUR DHUILE | 1 |
| 5 | M2116165108 | OELAUGE/SCHAUGLAS DC 260/43-54 | 1 | 3 | M2112028723 | JOINT | 2 |
| 6 | M5010004012 | BLINDSTOPFEN M.KU.D910 R 1/2" | 1 | 4 | M2116155080 | BOUCHON | 1 |
| 7 | M2108321000 | SICHERHEITSVENTIL | 1 | 5 | M2116165108 | JAUGE DE NIVEAU | 1 |
| 8 | M2106531124 | DICHTUNG/ROHR ENTLÜ-VENT. DC 260/4 | 1 | | | | |



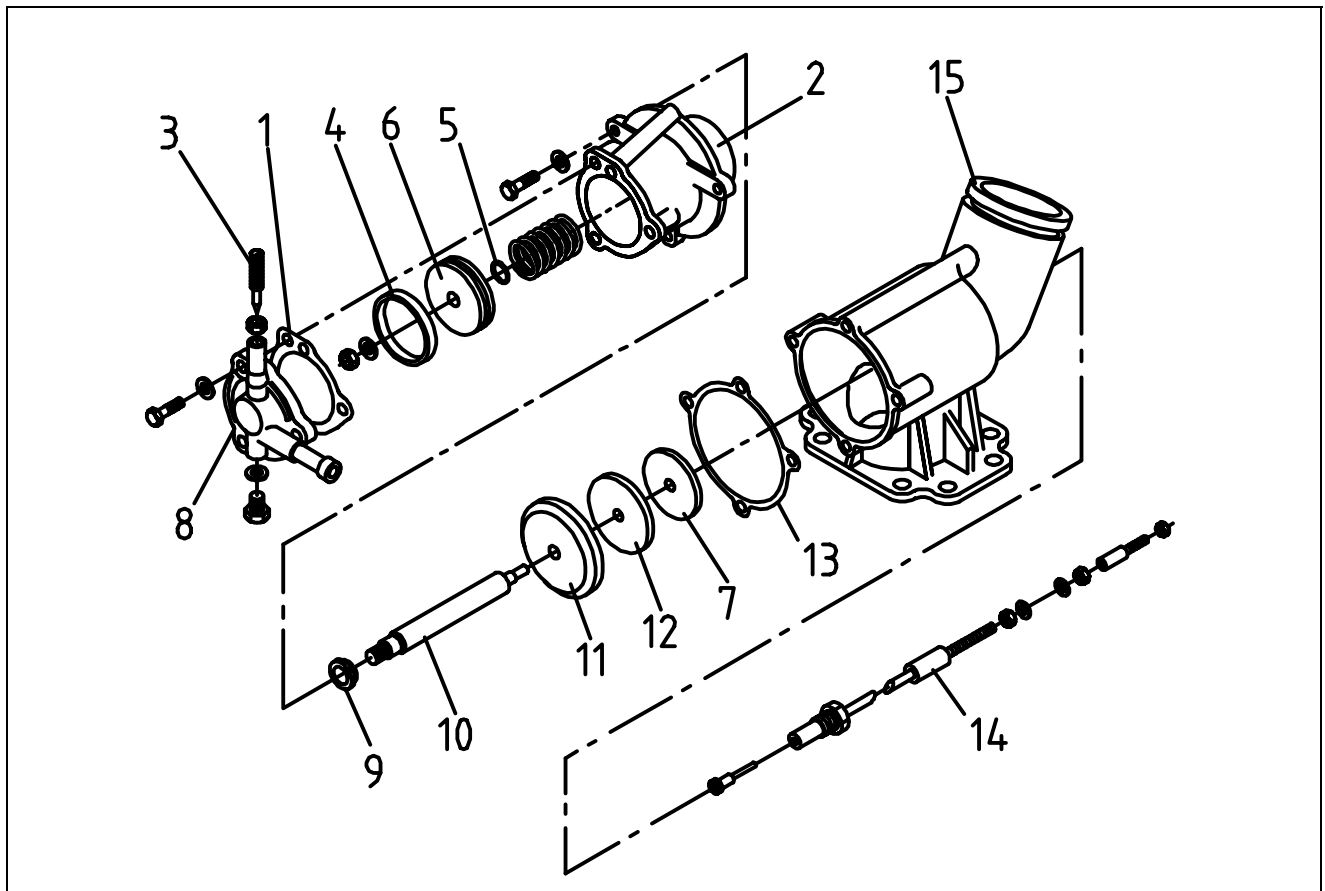
| | | |
|----|--|---|
| 6 |M5010004012...BOUCHON..... | 1 |
| 7 |M3502227509...SOUPAPE DE SURETE | 1 |
| 8 |M2106531124...JOINT | 1 |
| 9 |M2106637142...ANNEAU TORIQUE - BRIDE DE FERMETUREEN BAS / RESERVOIR D'HUILE | 1 |
| 10 | ...M2112028726...BRIDE DE FERMETURE EN BAS / RESERVOIR D'HUILE | 1 |
| 1 |M2112028723...GASKET | 2 |
| 2 |M2112028722...OIL SEPARATOR ELEMENT | 1 |
| 3 |M2112028723...GASKET | 2 |
| 4 |M2116155080...PLUG | 1 |
| 5 |M2116165108...LEVEL GAUGE..... | 1 |
| 6 |M5010004012...PLUG | 1 |
| 7 |M3502227509...SAVETY VALVE | 1 |
| 8 |M2106531124...GASKET | 1 |
| 9 |M2106637142...O-RING SEALING FLANGE AT THE BOTTOM /OIL TANK..... | 1 |
| 10 | ...M2112028726...SEALING FLANGE AT THE BOTTOM / OIL TANK..... | 1 |



BILD, DESSIN, PICTURE: 43044.WMF

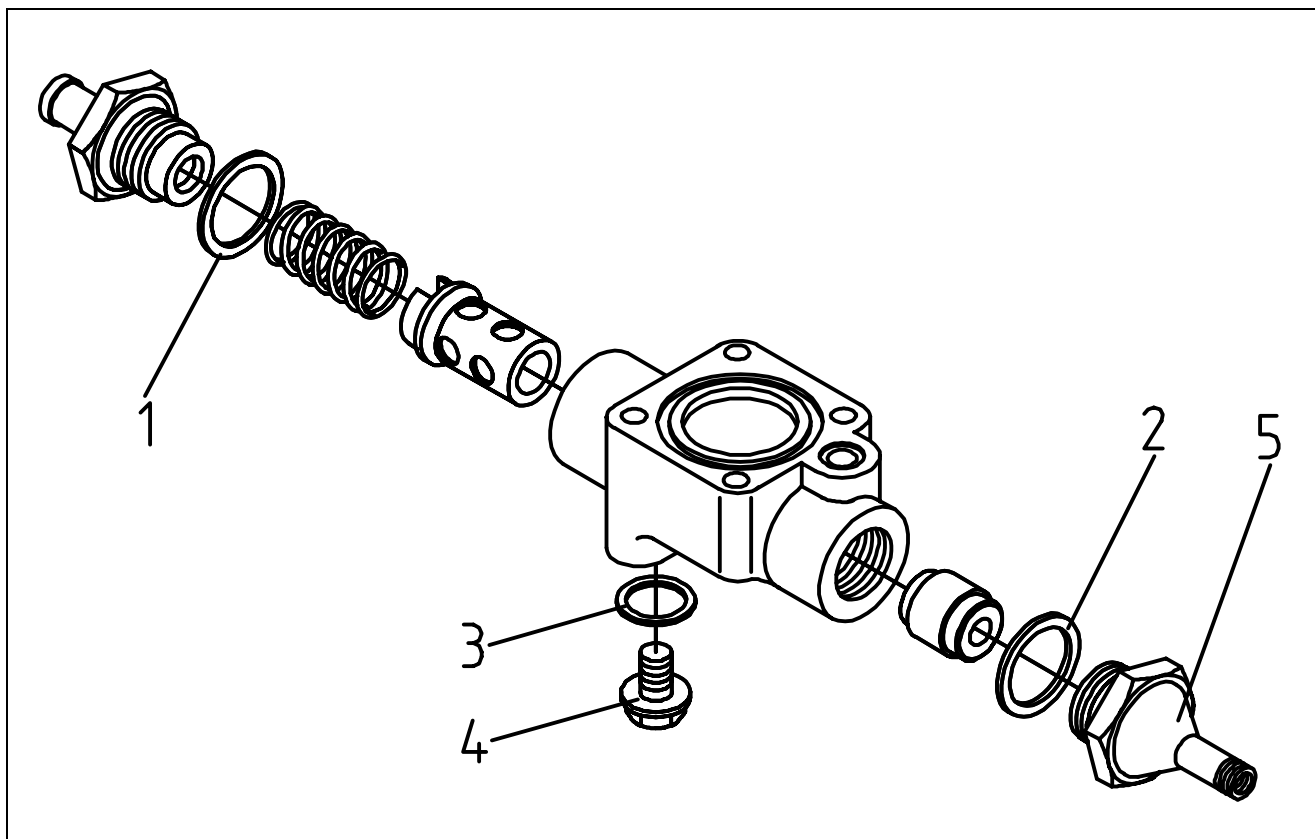
| POS | ART-NR | BEZEICHNUNG | ST | POS | ART-NR. | BEZEICHNUNG | ST |
|-----|--------------|-------------------------------------|-----|-----|--------------|----------------|-----|
| POS | NO.D'ARTICLE | DÉSIGNATION | QTÉ | POS | NO.D'ARTICLE | DÉSIGNATION | QTÉ |
| REF | ARTICLE NO | DESCRIPTION | QTY | REF | ARTICLE NO | DESCRIPTION | QTY |
| 0 | M2112029544 | REGELVENTIL 80/KPL. DC260/43 | 1 | 6 | M2110113498 | ..SPRING GUIDE | 1 |
| 1 | M2110105267 | ...RÄNDELSCHRA/REGELVE.DC260/3+4+43 | 1 | | | | |
| 2 | M2110105266 | ...SCHRAUBE F.REGELVENTIL DC 260/43 | 1 | | | | |
| 3 | M2110113497 | ...VENTILKEG.REGELVE.DC 260/3+4 | 1 | | | | |
| 4 | M2110900367 | ...FEDER FÜR REGELVENTIL | 1 | | | | |
| 5 | M2112029545 | ...VENTILGEH/REGELVE.00 DC260/43 | 1 | | | | |
| 6 | M2110113498 | ...FÜHRUNGSBO.REGELV.DC260/3+4 | 1 | | | | |
| 0 | M2112029544 | ...SOUPAPE DE REGULATION | 1 | | | | |
| 1 | M2110105267 | ...VIS DE REGLAGE | 1 | | | | |
| 2 | M2110105266 | ...BOITIER RESSORT | 1 | | | | |
| 3 | M2110113497 | ...DISQUE DE CLAPET | 1 | | | | |
| 4 | M2110900367 | ...RESSORT | 1 | | | | |
| 5 | M2112029545 | ...CORPS | 1 | | | | |
| 6 | M2110113498 | ...GUIDE RESSORT | 1 | | | | |
| 0 | M2112029544 | ...VALVE HOUSING | 1 | | | | |
| 1 | M2110105267 | ...SET SCREW | 1 | | | | |
| 2 | M2110105266 | ...SPRING HOUSING | 1 | | | | |
| 3 | M2110113497 | ...VALVE DISC | 1 | | | | |
| 4 | M2110900367 | ...SPRING | 1 | | | | |
| 5 | M2112029545 | ...HOUSING | 1 | | | | |

Ersatzteilliste, liste des pièces détachées, spare part list
H02 ENTLASTUNGSVENTIL KOMPRESSOR / SOUPAPE DE DECHARGE COMPRESSEUR
UNLOADING VALVE COMPRESSOR
TYPE DC 260/43



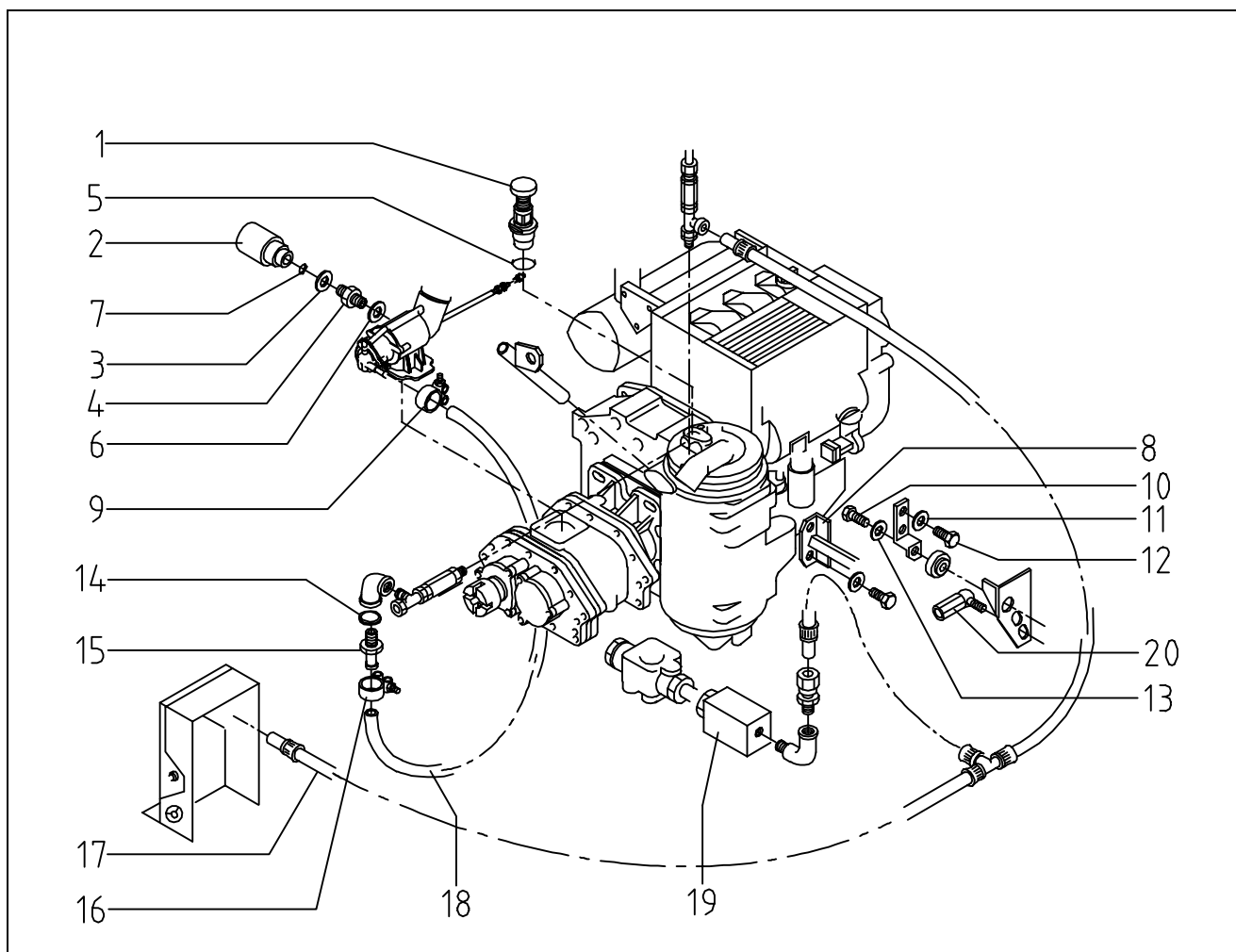
BILD, DESSIN, PICTURE: 43016.WMF

| POS | ART-NR | BEZEICHNUNG | ST | POS | ART-NR. | BEZEICHNUNG | ST |
|-----|--------------|--------------------------------------|-----|-----|--------------|--------------|-----|
| POS | NO.D'ARTICLE | DÉSIGNATION | QTÉ | POS | NO.D'ARTICLE | DÉSIGNATION | QTÉ |
| REF | ARTICLE NO | DESCRIPTION | QTY | REF | ARTICLE NO | DESCRIPTION | QTY |
| 1 | M2112028699 | ...DICHTUNG DECKEL/ZYLI.ENTLA.VEN | 1 | 13 | M2112028691 | ..JOINT | 1 |
| 2 | M2116135479 | ...ZYLINDER F.ENTLA-VENTIL DC 260/43 | 1 | 14 | M2112028693 | ..CABLE | 1 |
| 3 | M2112029646 | ...EINSTELLSCHR.FÜR ENTLASTUNGSV | 1 | 15 | M2116135480 | ..CORPS | 1 |
| 4 | M2116195471 | ...RING-ENTLASTUNGSV. DC 260/3 + 4 | 1 | 1 | M2112028699 | ..GASKET | 1 |
| 5 | M2106637114 | ...O-RING F.VENTIL/ENTLASTUNGSVEN | 1 | 2 | M2116135479 | ..CYLINDER | 1 |
| 6 | M2116122403 | ...SCHEIBE ENTLAST-VENTIL DC 260/4 | 1 | 3 | M2112029646 | ..NEEDLE | 1 |
| 7 | M2116134487 | ...SCHEIBE-E-VENTIL/DC 260/3 + 4 | 1 | 4 | M2116195471 | ..SEAL RING | 1 |
| 8 | M2116135478 | ...DECKEL ZYLI./ENTLASTUNGSVENTIL | 1 | 5 | M2106637114 | ..O-RING | 1 |
| 9 | M2106659110 | ...ABSTREIFER KOLBENSTANGE | 1 | 6 | M2116122403 | ..VALVE | 1 |
| 10 | M2116134488 | ...KOLBENSTANGE EVENTIL/DC 260/3 + 4 | 1 | 7 | M2116134487 | ..WASHER | 1 |
| 11 | M2116122407 | ...SCHEIBE/ENTLAST-VENTIL DC 260/4 | 1 | 8 | M2116135478 | ..COVER | 1 |
| 12 | M2116155000 | ...DICHTUNG KOLBEN/ENTLAST.VENTIL | 1 | 9 | M2106659110 | ..WIPER | 1 |
| 13 | M2112028691 | ...DICHTUNG F.ZYLI.ENTLASTUNGSVEN | 1 | 10 | M2116134488 | ..PISTON ROD | 1 |
| 14 | M2112028693 | ...GASZUG F.ENTLASTUNGSVENTIL | 1 | 11 | M2116122407 | ..VALVE | 1 |
| 15 | M2116135480 | ...GEHÄUSE/ENTLA-VENTIL DC 260/43 | 1 | 12 | M2116155000 | ..SEAL | 1 |
| 1 | M2112028699 | ...JOINT | 1 | 13 | M2112028691 | ..GASKET | 1 |
| 2 | M2116135479 | ...CYLINDRE | 1 | 14 | M2112028693 | ..CABLE | 1 |
| 3 | M2112029646 | ...SOUPAPE POINTEAU | 1 | 15 | M2116135480 | ..HOUSING | 1 |
| 4 | M2116195471 | ...BAGUE D'ETANCHEITE | 1 | | | | |
| 5 | M2106637114 | ...ANNEAU TORIQUE | 1 | | | | |
| 6 | M2116122403 | ...SOUPAPE | 1 | | | | |
| 7 | M2116134487 | ...RONDELLE | 1 | | | | |
| 8 | M2116135478 | ...COUVERCLE | 1 | | | | |
| 9 | M2106659110 | ...ARRACHEUR | 1 | | | | |
| 10 | M2116134488 | ...TIGE DE PISTON | 1 | | | | |
| 11 | M2116122407 | ...SOUPAPE | 1 | | | | |
| 12 | M2116155000 | ...JOINT | 1 | | | | |



BILD, DESSIN, PICTURE: 43037.WMF

| POS | ART-NR | BEZEICHNUNG | ST | POS | ART-NR. | BEZEICHNUNG | ST |
|-----|--------------|--------------------------------|-----|-----|--------------|----------------|-----|
| POS | NO.D'ARTICLE | DÉSIGNATION | QTÉ | POS | NO.D'ARTICLE | DÉSIGNATION | QTÉ |
| REF | ARTICLE NO | DESCRIPTION | QTY | REF | ARTICLE NO | DESCRIPTION | QTY |
| 0 | M2112028675 | ÖLABSPERRV. DC260/43 | 1 | 0 | M2112028675 | OIL STOP VALVE | 1 |
| 1 | M2106611049 | DICHTRING | 1 | 1 | M2106611049 | GASKET | 1 |
| 2 | M2106611049 | DICHTRING | 1 | 2 | M2106611049 | GASKET | 1 |
| 3 | M2106611033 | DICHTRING | 1 | 3 | M2106611033 | SEALING WASHER | 1 |
| 4 | M5010004012 | BLINDSTOPFEN M. KU.D910 R 1/2" | 1 | 4 | M5010004012 | PLUG | 1 |
| 5 | M2116136212 | NIPPEL | 1 | 5 | M2116136212 | NIPPLE | 1 |
| 0 | M2112028675 | CLAPET DARRET | 1 | 0 | M2112028675 | OIL STOP VALVE | 1 |
| 1 | M2106611049 | JOINT | 1 | 1 | M2106611049 | GASKET | 1 |
| 2 | M2106611049 | JOINT | 1 | 2 | M2106611049 | GASKET | 1 |
| 3 | M2106611033 | RONDELLE DETANCHEITE | 1 | 3 | M2106611033 | SEALING WASHER | 1 |
| 4 | M5010004012 | BOUCHON | 1 | 4 | M5010004012 | PLUG | 1 |
| 5 | M2116136212 | RACCORD | 1 | 5 | M2116136212 | NIPPLE | 1 |



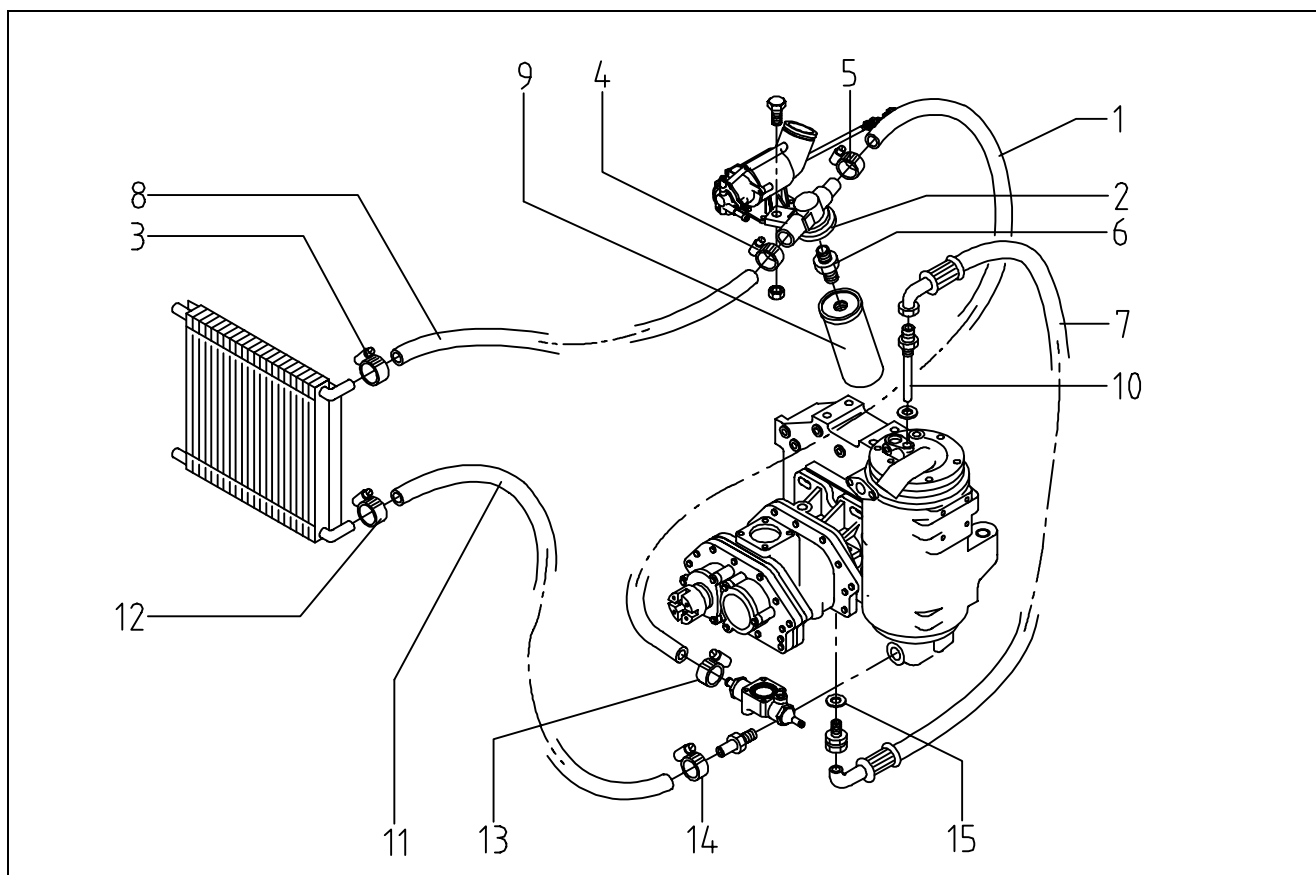
BILD, DESSIN, PICTURE: 43043.WMF

| POS | ART-NR | BEZEICHNUNG | ST | POS | ART-NR. | BEZEICHNUNG | ST |
|-----|--------------|-------------------------------------|-----|-----|--------------|----------------------------|-----|
| POS | NO.D'ARTICLE | DÉSIGNATION | QTÉ | POS | NO.D'ARTICLE | DÉSIGNATION | QTÉ |
| REF | ARTICLE NO | DESCRIPTION | QTY | REF | ARTICLE NO | DESCRIPTION | QTY |
| 1 | M2112029544 | ..REGELVENTIL 80/KPL. DC260/43 | 1 | 1 | M2112029544 | ..SOUPAPE DE REGULATION | 1 |
| 2 | M2116193791 | ..WARNGERÄT-LUFTFILTER/DC 260/3 + 4 | 1 | 2 | M2116193791 | ..AVERTISSEUR | 1 |
| 3 | M2106611014 | ..DICHTUNG RING | 1 | 3 | M2106611014 | ..RONDELLE D' ETANCHEITE | 1 |
| 3 | M2106611014 | ..DICHT.RING | 1 | 4 | M2116122152 | ..RACCORD | 1 |
| 4 | M2116122152 | ..NIPPEL | 1 | 5 | M2106633133 | ..ANNEAU TORIQUE | 1 |
| 4 | M2116122152 | ..NIPPEL | 1 | 6 | M2106531046 | ..GARNITURE PLATE | 1 |
| 5 | M2106633133 | ..O-RING F.STUTZEN ÖLBEHÄLTER | 1 | 7 | M2116193794 | ..DISQUE FEUTRE | 1 |
| 6 | M2106531046 | ..DICHTUNG SPEICHERBEHÄLTER | 1 | 8 | M2112029538 | ..SUPPORT | 1 |
| 7 | M2116193794 | ..SCHEIBE | 1 | 9 | M2112028663 | ..COLLIER, TUYAU | 1 |
| 8 | M2112029538 | ..HALTER | 1 | 10 | M5033060162 | ..BOULON A TETE HEXAGONALE | 1 |
| 9 | M2112028663 | ..SCHELLE 17-19MM DC 260/22-43 | 1 | 11 | M5325064002 | ..RONDELLE, BLOCAGE | 1 |
| 10 | M5033060162 | ..SCHRAUBE D 933 M 6X 16 VERZ. | 1 | 12 | M5033060162 | ..BOULON A TETE HEXAGONALE | 1 |
| 11 | M5325064002 | ..U-SCHEIBE D 125 6,4 | 1 | 13 | M5325064002 | ..RONDELLE, BLOCAGE | 1 |
| 12 | M5033060162 | ..SCHRAUBE D 933 M 6X 16 VERZ. | 1 | 14 | M2106531046 | ..GARNITURE PLATE | 1 |
| 13 | M5325064002 | ..U-SCHEIBE D 125 6,4 | 1 | 15 | M2116135500 | ..NIPPLE, TUYAU | 1 |
| 14 | M2106531046 | ..DICHTUNG SPEICHERBEHÄLTER | 1 | 16 | M2112028663 | ..COLLIER, TUYAU | 1 |
| 15 | M2116135500 | ..NIPPEL SCHLAUCH ENTLASTUNGSVEN. | 1 | 17 | M2116155002 | ..TUYAUTERIE | 1 |
| 16 | M2112028663 | ..SCHELLE 17-19MM DC 260/22-43 | 1 | 18 | M2100718402 | ..TUYAU | 1 |
| 17 | M2116155002 | ..SCHLAUCH FÜR SPEICHERBEHÄLTER | 1 | 19 | M2113100088 | ..SOUPAPE, DECOMPRESSION | 1 |
| 18 | M2100718402 | ..SCHLAUCH ENTLASTUNGSVENT. | 1 | 20 | M2116191639 | ..ROTULE SPHERIQUE | 1 |
| 19 | M2113100088 | ..VENTIL/DC 260/3 + 4 KRÜMMER | 1 | 1 | M2112029544 | ..VALVE HOUSING | 1 |
| 20 | M2116191639 | ..WINKELGELENK | 1 | 1 | M2112029544 | ..REGULATING VALVE | 1 |
| 1 | M2112029544 | ..SOUPAPE DE REGULATION | 1 | 2 | M2116193791 | ..WARNING DEVICE | 1 |



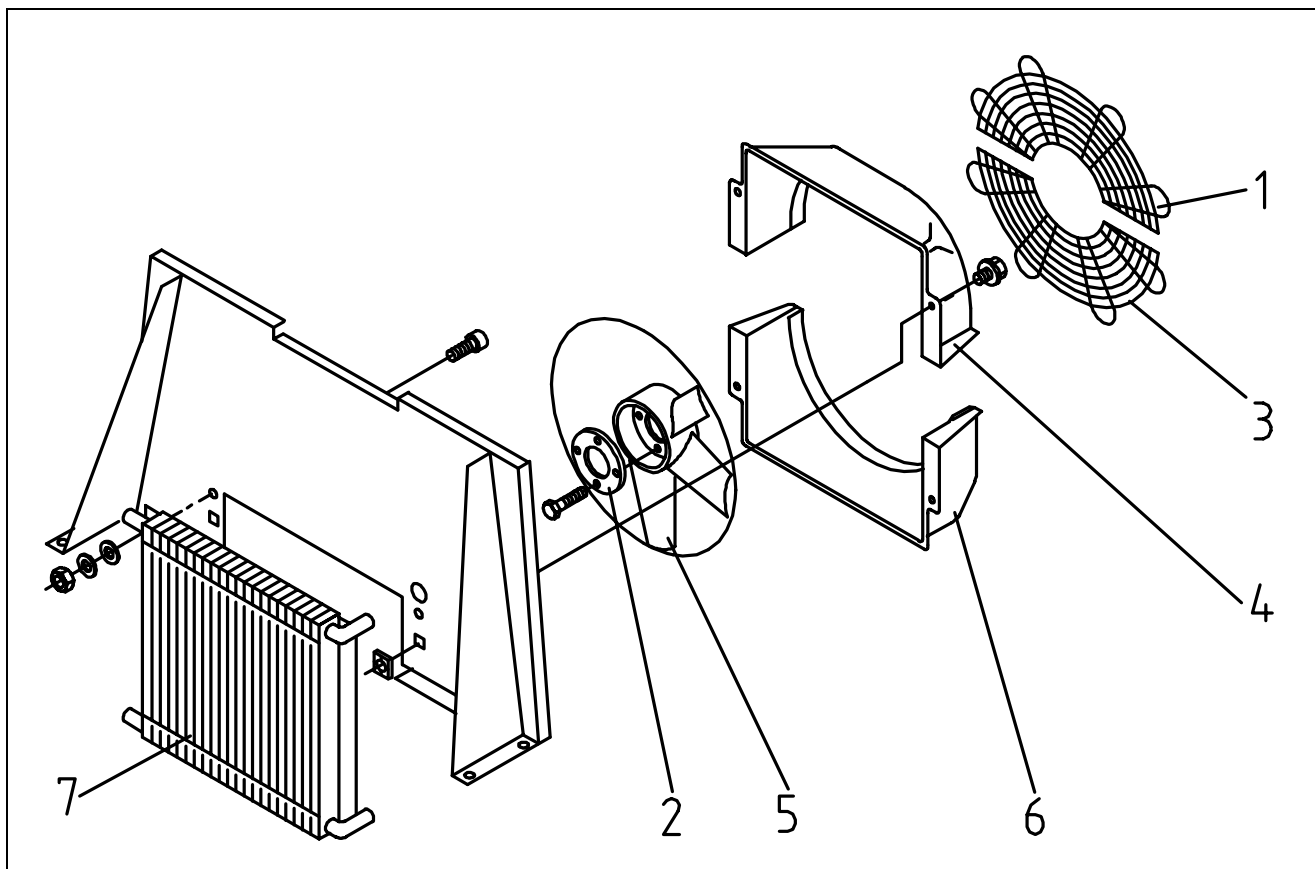
| POS | ART-NR | BEZEICHNUNG | ST | POS | ART-NR. | BEZEICHNUNG | ST |
|-----|--------------|----------------|-----|-----|--------------|-------------|-----|
| POS | NO.D'ARTICLE | DÉSIGNATION | QTÉ | POS | NO.D'ARTICLE | DÉSIGNATION | QTÉ |
| REF | ARTICLE NO | DESCRIPTION | QTY | REF | ARTICLE NO | DESCRIPTION | QTY |
| 3 | M2106611014 | SEALING WASHER | 1 | | | | |
| 4 | M2116122152 | NIPPLE | 1 | | | | |
| 5 | M2106633133 | O-RING | 1 | | | | |
| 6 | M2106531046 | FLAT GASKET | 1 | | | | |
| 7 | M2116193794 | FELT DISK | 1 | | | | |
| 8 | M2112029538 | BRACKET | 1 | | | | |
| 9 | M2112028663 | HOSE CLIP | 1 | | | | |
| 10 | M5033060162 | HEXAGON BOLT | 1 | | | | |
| 11 | M5325064002 | LOCKWASHER | 1 | | | | |
| 12 | M5033060162 | HEXAGON BOLT | 1 | | | | |
| 13 | M5325064002 | LOCKWASHER | 1 | | | | |
| 14 | M2106531046 | FLAT GASKET | 1 | | | | |
| 15 | M2116135500 | HOSE NIPPLE | 1 | | | | |
| 16 | M2112028663 | HOSE CLIP | 1 | | | | |
| 17 | M2116155002 | HOSE ASSEMBLY | 1 | | | | |
| 18 | M2100718402 | FLEXIBLE TUBE | 1 | | | | |
| 19 | M2113100088 | BLOWDOWN VALVE | 1 | | | | |
| 20 | M2116191639 | BALL JOINT | 1 | | | | |

Ersatzteilliste, liste des pièces détachées, spare part list
H02 ÖLKREISLAUF UND ANSCHLÜSSE / SYSTEME D'HUILE ET CONNEXIONS /
OIL SYSTEM AND CONNECTIONS
TYPE DC 260/43



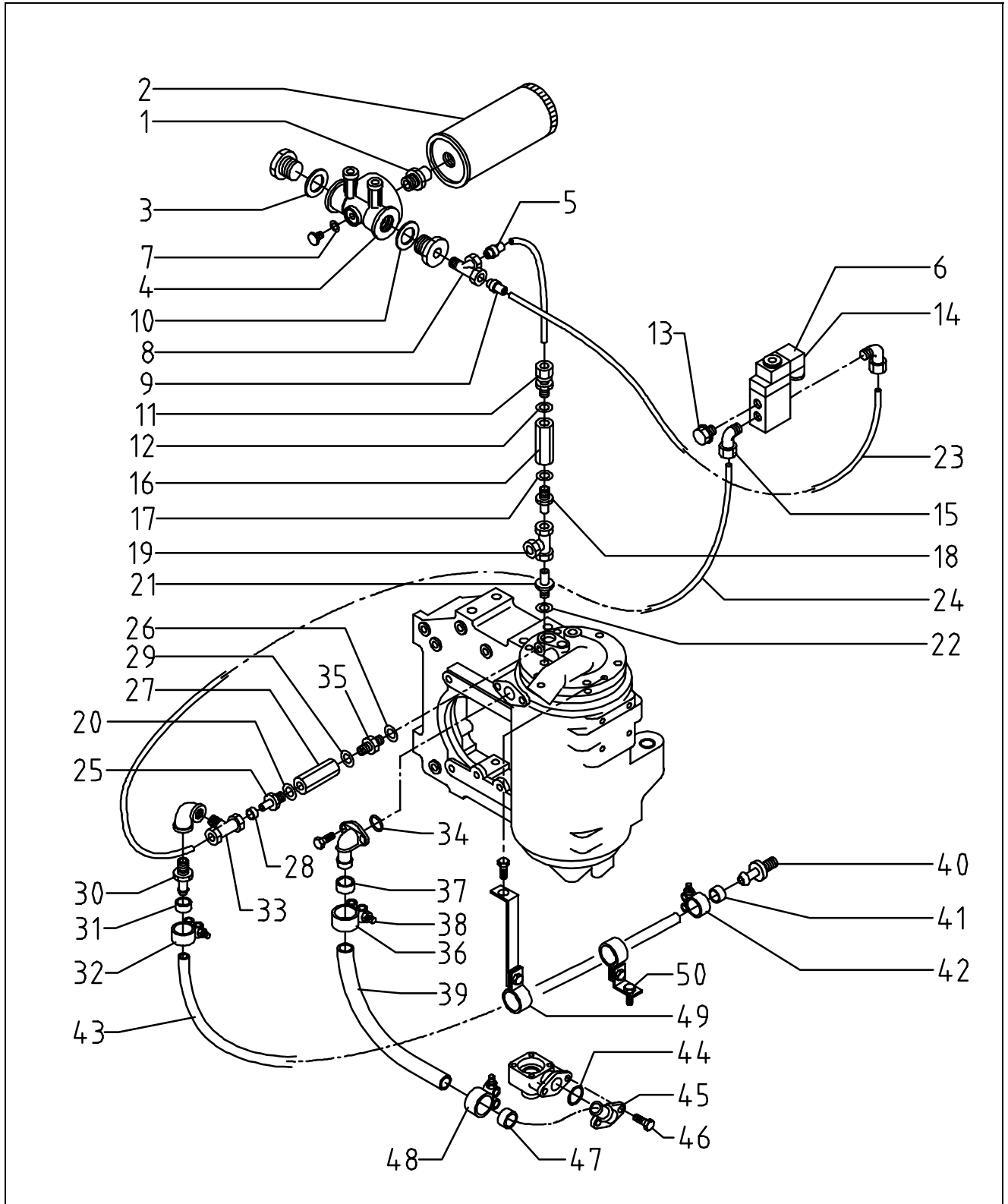
BILD, DESSIN, PICTURE: 43038.....

| POS | ART-NR | BEZEICHNUNG | ST | POS | ART-NR. | BEZEICHNUNG | ST |
|-----|--------------|--------------------------------|-----|-----|--------------|--------------------------------|-----|
| POS | NO.D'ARTICLE | DÉSIGNATION | QTÉ | POS | NO.D'ARTICLE | DÉSIGNATION | QTÉ |
| REF | ARTICLE NO | DESCRIPTION | QTY | REF | ARTICLE NO | DESCRIPTION | QTY |
| 1 | M2100728403 | SCHLAUCH ÖLKÜH./HY-FILT.300 MM | 1 | 14 | M2112028661 | COLLIER, TUYAU | 1 |
| 2 | M2116135598 | FILTERKOPF | 1 | 15 | M2106531062 | GARNITURE PLATE | 1 |
| 3 | M2112028661 | SCHELLE 23-25MM DC260/22-43 | 1 | 1 | M2100728403 | HOSE | 1 |
| 4 | M2112028661 | SCHELLE 23-25MM DC260/22-43 | 1 | 2 | M2116135598 | FILTER HEAD | 1 |
| 5 | M2112028661 | SCHELLE 23-25MM DC260/22-43 | 1 | 3 | M2112028661 | HOSE CLIP | 1 |
| 6 | M2116193770 | NIPPEL F.OELFILTER DC | 1 | 4 | M2112028661 | HOSE CLIP | 1 |
| 7 | M2105748481 | SCHLAUCH/VERDICHTER DC 260/43 | 1 | 5 | M2112028661 | HOSE CLIP | 1 |
| 8 | M2100728403 | SCHLAUCH ÖLKÜH./HY-FILT.300 MM | 1 | 6 | M2116193770 | NIPPLE | 1 |
| 9 | M2116123980 | ÖLFILTERPATRONE, HYDRAULIKÖL | 1 | 7 | M2105748481 | HOSE ASSEMBLY | 1 |
| 10 | M2116144490 | RÜCKSAUGLEITUNG DC 260/43 | 1 | 8 | M2100728403 | HOSE | 1 |
| 11 | M2100728403 | SCHLAUCH ÖLKÜH./HY-FILT.300 MM | 1 | 9 | M2116123980 | OIL FILTER COOL1613-6105-00 AC | 1 |
| 12 | M2112028661 | SCHELLE 23-25MM DC260/22-43 | 1 | 10 | M2116144490 | SCAVENGE LINE | 1 |
| 13 | M2112028661 | SCHELLE 23-25MM DC260/22-43 | 1 | 11 | M2100728403 | HOSE | 1 |
| 14 | M2112028661 | SCHELLE 23-25MM DC260/22-43 | 1 | 12 | M2112028661 | HOSE CLIP | 1 |
| 15 | M2106531062 | KUPFERRING 13X20X1,5 | 1 | 13 | M2112028661 | HOSE CLIP | 1 |
| 1 | M2100728403 | SLANGE | 1 | 14 | M2112028661 | HOSE CLIP | 1 |
| 2 | M2116135598 | TETE DE FILTRE | 1 | 15 | M2106531062 | FLAT GASKET | 1 |
| 3 | M2112028661 | COLLIER, TUYAU | 1 | | | | |
| 4 | M2112028661 | COLLIER, TUYAU | 1 | | | | |
| 5 | M2112028661 | COLLIER, TUYAU | 1 | | | | |
| 6 | M2116193770 | RACCORD | 1 | | | | |
| 7 | M2105748481 | TUYAUTERIE | 1 | | | | |
| 8 | M2100728403 | SLANGE | 1 | | | | |
| 9 | M2116123980 | CARTOUCHE FILTRE A HUILE | 1 | | | | |
| 10 | M2116144490 | CONDUIT DE RETOUR | 1 | | | | |
| 11 | M2100728403 | SLANGE | 1 | | | | |
| 12 | M2112028661 | COLLIER, TUYAU | 1 | | | | |
| 13 | M2112028661 | COLLIER, TUYAU | 1 | | | | |



BILD, DESSIN, PICTURE: 43039.WMF

| POS | ART-NR | BEZEICHUNG | ST | POS | ART-NR. | BEZEICHUNG | ST |
|-----|--------------|--------------------------------|-----|-----|--------------|-------------------------|-----|
| POS | NO.D'ARTICLE | DÉSIGNATION | QTÉ | POS | NO.D'ARTICLE | DÉSIGNATION | QTÉ |
| REF | ARTICLE NO | DESCRIPTION | QTY | REF | ARTICLE NO | DESCRIPTION | QTY |
| 1 | M2112028670 | VENTILATORSCHUTZG.F.KÜHLER | 1 | 1 | M2112028670 | PROTECTEUR, VENTILATEUR | 1 |
| 2 | M2112025122 | DISTA.RI/KLEMMR.F.LÜF/DC260/43 | 1 | 2 | M2112025122 | ANNEAU DE SERRAGE | 1 |
| 3 | M2112028670 | VENTILATORSCHUTZG.F.KÜHLER | 1 | 3 | M2112028670 | PROTECTEUR, VENTILATEUR | 1 |
| 4 | M2112028669 | VERKLEIDUNG/KÜHLER DC 260/43 | 1 | 4 | M2112028669 | CAGE, VENTILATEUR | 1 |
| 5 | M2116131306 | VENTILATOR 260/3+4-33+43 | 1 | 5 | M2116131306 | VENTILATEUR | 1 |
| 6 | M2112028669 | VERKLEIDUNG/KÜHLER DC 260/43 | 1 | 6 | M2112028669 | CAGE, VENTILATEUR | 1 |
| 7 | M2112028665 | ÖLKÜHLER FÜR DC260/33+43 | 1 | 7 | M2112028665 | REFROIDISSEUR D'HUILE | 1 |
| 1 | M2112028670 | PROTECTEUR, VENTILATEUR | 1 | 1 | M2112028670 | FAN GUARD | 1 |
| 2 | M2112025122 | ANNEAU DE SERRAGE | 1 | 2 | M2112025122 | CLAMP RING | 1 |
| 3 | M2112028670 | PROTECTEUR, VENTILATEUR | 1 | 3 | M2112028670 | FAN GUARD | 1 |
| 4 | M2112028669 | CAGE, VENTILATEUR | 1 | 4 | M2112028669 | FAN COWL | 1 |
| 5 | M2116131306 | VENTILATEUR | 1 | 5 | M2116131306 | FAN | 1 |
| 6 | M2112028669 | CAGE, VENTILATEUR | 1 | 6 | M2112028669 | FAN COWL | 1 |
| 7 | M2112028665 | REFROIDISSEUR D'HUILE | 1 | 7 | M2112028665 | OIL COOLER | 1 |



BILD, DESSIN, PICTURE: 43027.WMF

| POS | ART-NR | BEZEICHNUNG | ST | POS | ART-NR. | BEZEICHNUNG | ST |
|-----|--------------|-----------------------------------|-----|-----|--------------|-----------------------------------|-----|
| POS | NO.D'ARTICLE | DÉSIGNATION | QTÉ | POS | NO.D'ARTICLE | DÉSIGNATION | QTÉ |
| REF | ARTICLE NO | DESCRIPTION | QTY | REF | ARTICLE NO | DESCRIPTION | QTY |
| 1 | M2116193770 | ...NIPPEL F.OELFILTER DC | 1 | 5 | M2105840080 | ..KLEMMRING SCHLAUCH VENTIL KK | 2 |
| 2 | M2116156015 | ...SPEICHERBEHÄLTER F.DC260/43 | 1 | 6 | M2116196362 | ..VENTIL-LEERL.-VOLLADC 260/3 + 4 | 1 |
| 3 | M2106611038 | ...DICHRING | 2 | 7 | M2106611014 | ..DICHTUNG RING | 1 |
| 4 | M2116122668 | ...HALTER FÜR ÖLFILTER VERDICHTER | 1 | 8 | M2105812000 | ..T-STÜCK FÜR SPEICHERBEHÄLTER | 1 |

Ersatzteilliste, liste des pièces détachées, spare part list
H02 LUFTAUSLASS / SORTIE D' AIR / AIR OUTLET
TYPE DC 260/43

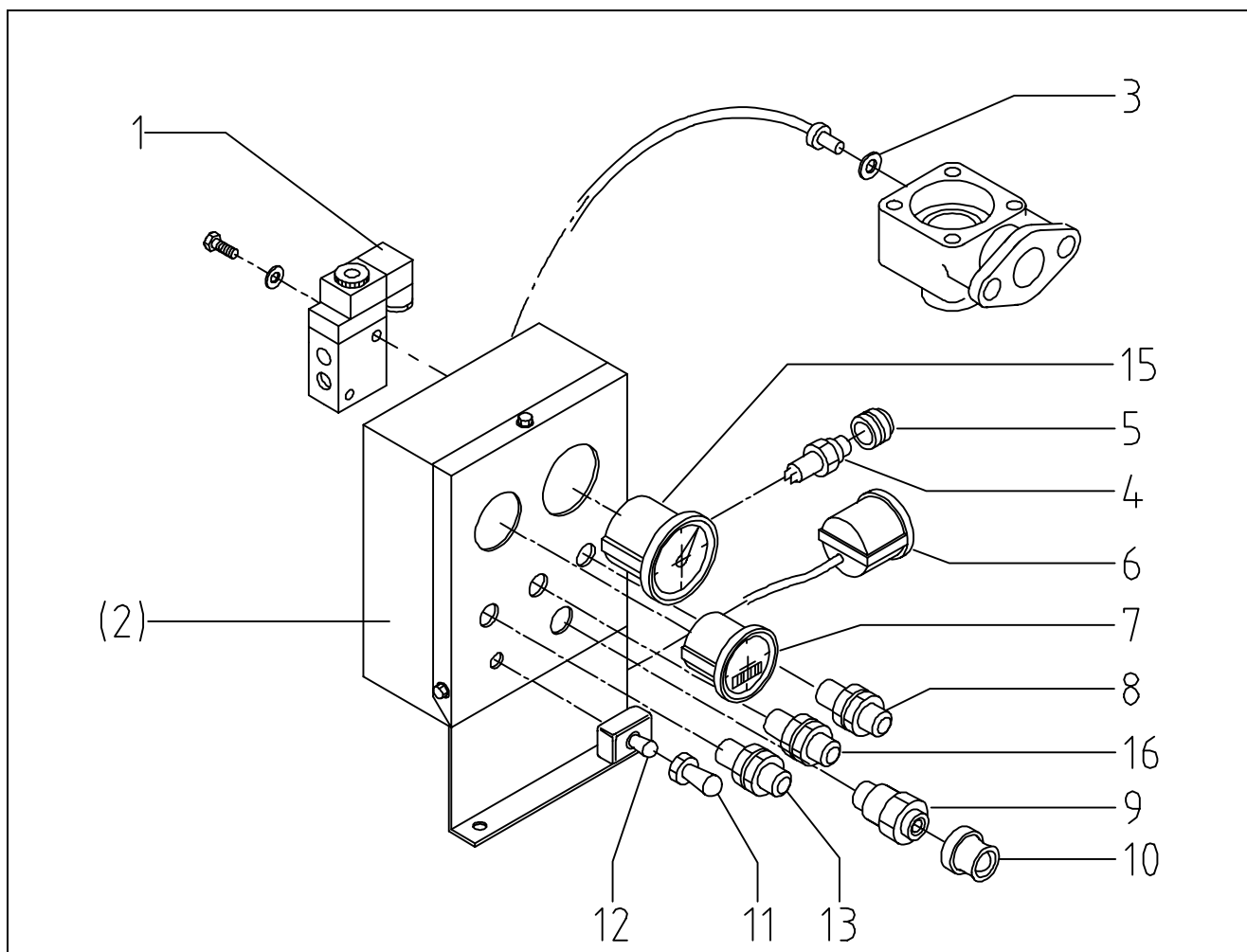


| POS | ART-NR | BEZEICHNUNG | ST | POS | ART-NR. | BEZEICHNUNG | ST |
|-----|--------------|---|-----|-----|--------------|---|-----|
| POS | NO.D'ARTICLE | DÉSIGNATION | QTÉ | POS | NO.D'ARTICLE | DÉSIGNATION | QTÉ |
| REF | ARTICLE NO | DESCRIPTION | QTY | REF | ARTICLE NO | DESCRIPTION | QTY |
| 9 | M2105840080 | KLEMMRING SCHLAUCH VENTIL KK | 2 | 17 | M2106531046 | GARNITURE PLATE | 6 |
| 10 | M2106611038 | DICHTRING | 2 | 18 | M2105800013 | MALE | 4 |
| 11 | M2105810000 | KUPPLUNG FÜR SPEICHERBEHÄLTER | 1 | 19 | M2105812210 | TE | 1 |
| 12 | M2106531046 | DICHTUNG SPEICHERBEHÄLTER | 6 | 20 | M2106531046 | GARNITURE PLATE | 6 |
| 13 | M2116155068 | DÜSE F.VENTIL LEERLAUF/VOLLAST | 1 | 21 | M2105800013 | MALE | 4 |
| 14 | M3507105310 | MAGNETVENTIL 3/2-WEGE 12 V | 1 | 22 | M2106531046 | GARNITURE PLATE | 6 |
| 15 | M2105811200 | KUPPLUNG VENTIL KK | 1 | 23 | M2100706002 | TUYAU | 2 |
| 16 | M2116155043 | RÜCKSCHLAGVENTIL SPEICHERBEHÄ | 2 | 24 | M2100706002 | TUYAU | 2 |
| 17 | M2106531046 | DICHTUNG SPEICHERBEHÄLTER | 6 | 25 | M2105800013 | MALE | 4 |
| 18 | M2105800013 | ZWISCHENSTÜCK F.SPEICHERBEHÄLT | 4 | 26 | M2106531046 | GARNITURE PLATE | 6 |
| 19 | M2105812210 | T-STÜCK FÜR SPEICHERBEHÄLTER | 1 | 27 | M2116155043 | CLAPET ANTI-RETOUR | 2 |
| 20 | M2106531046 | DICHTUNG SPEICHERBEHÄLTER | 6 | 28 | M2105840310 | ANNEAU DE SERRAGE | 1 |
| 21 | M2105800013 | ZWISCHENSTÜCK F.SPEICHERBEHÄLT | 4 | 29 | M2106531046 | GARNITURE PLATE | 6 |
| 22 | M2106531046 | DICHTUNG SPEICHERBEHÄLTER | 6 | 30 | M2112028727 | RESTRICTEUR | 1 |
| 23 | M2100706002 | SCHLAUCH SPEICHERBEH/VENTIL KK | 2 | 31 | M2112028728 | MANCHON | 2 |
| 24 | M2100706002 | SCHLAUCH SPEICHERBEH/VENTIL KK | 2 | 32 | M2112028662 | COLLIER 1202 8663 02 29 - 31 MM | 2 |
| 25 | M2105800013 | ZWISCHENSTÜCK F.SPEICHERBEHÄLT | 4 | 33 | M2105811200 | COUDE | 1 |
| 26 | M2106531046 | DICHTUNG SPEICHERBEHÄLTER | 6 | 34 | M2106633133 | ANNEAU TORIQUE | 1 |
| 27 | M2116155043 | RÜCKSCHLAGVENTIL SPEICHERBEHÄ | 2 | 35 | M2105800013 | MALE | 4 |
| 28 | M2105840310 | RING | 1 | 36 | M2112028664 | COLLIER, TUYAU | 3 |
| 29 | M2106531046 | DICHTUNG SPEICHERBEHÄLTER | 6 | 37 | M2116155231 | MANCHON | 2 |
| 30 | M2112028727 | DROSSEL | 1 | 38 | M2112028664 | COLLIER, TUYAU | 3 |
| 31 | M2112028728 | HÜLSE | 2 | 39 | M2116155234 | FLEXIBLE | 1 |
| 32 | M2112028662 | SCHELLE 29-31MM DC260/22-43 | 2 | 40 | M2112028765 | RACCORD | 1 |
| 33 | M2105811200 | KUPPLUNG VENTIL KK | 1 | 41 | M2112028728 | MANCHON | 2 |
| 34 | M2106633133 | O-RING F.STUTZEN ÖLBEHÄLTER | 1 | 42 | M2112028662 | COLLIER 1202 8663 02 29 - 31 MM | 2 |
| 35 | M2105800013 | ZWISCHENSTÜCK F.SPEICHERBEHÄLT | 4 | 43 | M2100709200 | FLEXIBLE 0070 9200 02 | 1 |
| 36 | M2112028664 | SCHELLE 44-47MM F.SCHLAUCH ÖLB. | 3 | 44 | M2106637135 | ANNEAU TORIQUE | 1 |
| 37 | M2116155231 | MUFFE/SCHLAUCHVORS.ÖLBEH/VERDI | 2 | 45 | M2116155042 | RACCORD, TUYAU | 1 |
| 38 | M2112028664 | SCHELLE 44-47MM F.SCHLAUCH ÖLB. | 3 | 46 | M5033120302 | VIS A SIX PANS M 12X30 GALV | 1 |
| 39 | M2116155234 | SCHLAUCH ÖLBEH/RÜ-VENT. DC 260/43 | 1 | 47 | M2116155231 | MANCHON | 2 |
| 40 | M2112028765 | NIPPEL | 1 | 48 | M2112028664 | COLLIER, TUYAU | 3 |
| 41 | M2112028728 | HÜLSE | 2 | 49 | M2116159087 | SUPPORT HARNAIS DE CABLES / RESERVOIR LA TETE DC 260/43 | 1 |
| 42 | M2112028662 | SCHELLE 29-31MM DC260/22-43 | 2 | 50 | M2116136468 | SUPPORT HARNAIS DE CABLES / RESERVOIR A L'ARRIERE | 1 |
| 43 | M2100709200 | SCHLAUCH V.ÖLBEH/Z.KESSEL 1.1M | 1 | 1 | M2116193770 | NIPPLE | 1 |
| 44 | M2106637135 | O-RING | 1 | 2 | M2116156015 | BOWL | 1 |
| 45 | M2116155042 | STUTZEN F.SCHLAUCHANSCHL/VERDI | 1 | 3 | M2106611038 | SEALING WAHSER | 2 |
| 46 | M5033120302 | SECHSKANTSCHRAUBE D 933 M 12X 30 | 1 | 4 | M2116122668 | HOUSING | 1 |
| 47 | M2116155231 | MUFFE/SCHLAUCHVORS.ÖLBEH/VERDI | 2 | 5 | M2105840080 | CLAMP RING | 2 |
| 48 | M2112028664 | SCHELLE 44-47MM F.SCHLAUCH ÖLB. | 3 | 6 | M2116196362 | VALVE | 1 |
| 49 | M2116159087 | HALTERUNG KABELBAUM / TANK VORNE DC 260/43 | 1 | 7 | M2106611014 | SEALING WASHER | 1 |
| 50 | M2116136468 | HALTERUNG KABELBAUM / TANK HINTEN DC 260/43 | 1 | 8 | M2105812000 | TEE COUPLING | 1 |
| 1 | M2116193770 | RACCORD | 1 | 9 | M2105840080 | CLAMP RING | 2 |
| 2 | M2116156015 | CUVETTE | 1 | 10 | M2106611038 | SEALING WAHSER | 2 |
| 3 | M2106611038 | RONDELLE DETANCHEITE | 2 | 11 | M2105810000 | COUPLING | 1 |
| 4 | M2116122668 | CORPS | 1 | 12 | M2106531046 | FLAT GASKET | 6 |
| 5 | M2105840080 | ANNEAU DE SERRAGE | 2 | 13 | M2116155068 | DIE | 1 |
| 6 | M2116196362 | SOUPAPE | 1 | 14 | M3507105310 | ELECTROVALVE | 1 |
| 7 | M2106611014 | RONDELLE D' ETANCHEITE | 1 | 15 | M2105811200 | ELBOW COUPLING | 1 |
| 8 | M2105812000 | RACCORD EN T | 1 | 16 | M2116155043 | NONRETURN VALVE | 2 |
| 9 | M2105840080 | ANNEAU DE SERRAGE | 2 | 17 | M2106531046 | FLAT GASKET | 6 |
| 10 | M2106611038 | RONDELLE DETANCHEITE | 2 | 18 | M2105800013 | MALE ADAPTOR | 4 |
| 11 | M2105810000 | ACCOUPLMENT | 1 | 19 | M2105812210 | TEE | 1 |
| 12 | M2106531046 | GARNITURE PLATE | 6 | 20 | M2106531046 | FLAT GASKET | 6 |
| 13 | M2116155068 | BUSE | 1 | 21 | M2105800013 | MALE ADAPTOR | 4 |
| 14 | M3507105310 | SOUPAPE A AIMANTEE | 1 | 22 | M2106531046 | FLAT GASKET | 6 |
| 15 | M2105811200 | COUDE | 1 | 23 | M2100706002 | PLASTIC TUBE | 2 |
| 16 | M2116155043 | CLAPET ANTI-RETOUR | 2 | 24 | M2100706002 | PLASTIC TUBE | 2 |

Ersatzteilliste, liste des pièces détachées, spare part list
H02 LUFT AUSLASS / SORTIE D' AIR / AIR OUTLET
TYPE DC 260/43



| POS | ART-NR | BEZEICHNUNG | ST | POS | ART-NR. | BEZEICHNUNG | ST |
|-----|---------------|--|-----|-----|---------------|-------------|-----|
| POS | NO.D' ARTICLE | DÉSIGNATION | QTÉ | POS | NO.D' ARTICLE | DÉSIGNATION | QTÉ |
| REF | ARTICLE NO | DESCRIPTION | QTY | REF | ARTICLE NO | DESCRIPTION | QTY |
| 25 | M2105800013 | MALE ADAPTOR | 4 | | | | |
| 26 | M2106531046 | FLAT GASKET | 6 | | | | |
| 27 | M2116155043 | NONRETURN VALVE | 2 | | | | |
| 28 | M2105840310 | CLAMP RING | 1 | | | | |
| 29 | M2106531046 | FLAT GASKET | 6 | | | | |
| 30 | M2112028727 | RESTRICTOR | 1 | | | | |
| 31 | M2112028728 | SLEEVE | 2 | | | | |
| 32 | M2112028662 | HOSE CLIP 1202 8663 02 29 - 31 MM | 2 | | | | |
| 33 | M2105811200 | ELBOW COUPLING | 1 | | | | |
| 34 | M2106633133 | O-RING | 1 | | | | |
| 35 | M2105800013 | MALE ADAPTOR | 4 | | | | |
| 36 | M2112028664 | HOSE CLIP | 3 | | | | |
| 37 | M2116155231 | SLEEVE | 2 | | | | |
| 38 | M2112028664 | HOSE CLIP | 3 | | | | |
| 39 | M2116155234 | HOSE | 1 | | | | |
| 40 | M2112028765 | NIPPLE | 1 | | | | |
| 41 | M2112028728 | SLEEVE | 2 | | | | |
| 42 | M2112028662 | HOSE CLIP 1202 8663 02 29 - 31 MM | 2 | | | | |
| 43 | M2100709200 | HOSE 0070 9200 02 | 1 | | | | |
| 44 | M2106637135 | O-RING | 1 | | | | |
| 45 | M2116155042 | HOSE COUPLING | 1 | | | | |
| 46 | M5033120302 | HEXAGON HEAD CAP SCREW M 12X30 GALV | 1 | | | | |
| 47 | M2116155231 | SLEEVE | 2 | | | | |
| 48 | M2112028664 | HOSE CLIP | 3 | | | | |
| 49 | M2116159087 | HOLDING DEVICE CABLE FORM / TANK AHEADDC 260/43 | 1 | | | | |
| 50 | M2116136468 | HOLDING DEVICE CABLE FORM / TANK REAR | 1 | | | | |

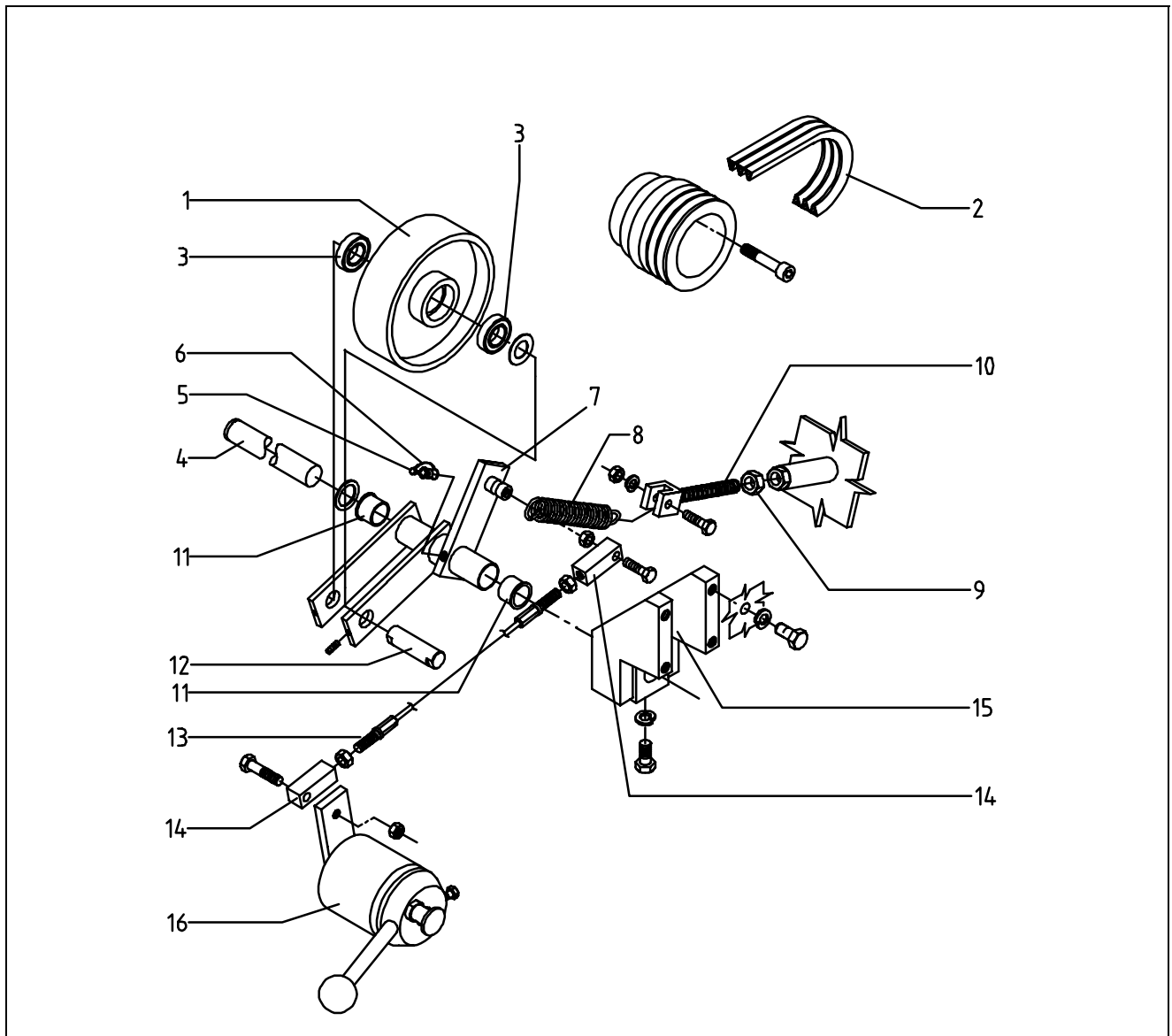


BILD, DESSIN, PICTURE: 43046.WMF

| POS | ART-NR | BEZEICHNUNG | ST | POS | ART-NR. | BEZEICHNUNG | ST |
|-----|--------------|--------------------------------------|-----|-----|--------------|---|-----|
| POS | NO.D'ARTICLE | DÉSIGNATION | QTÉ | POS | NO.D'ARTICLE | DÉSIGNATION | QTÉ |
| REF | ARTICLE NO | DESCRIPTION | QTY | REF | ARTICLE NO | DESCRIPTION | QTY |
| 1 | M3507105310 | MAGNETVENTIL 3/2-WEGE 12 V | 1 | 6 | M2110890376 | MANOMETRE TEMPERATURE COMPRESSEUR | 1 |
| 2 | M3133220415 | RELAIS | 1 | 7 | M2116158360 | HOROMETRE | 1 |
| 3 | M2106611033 | DICHTRING | 1 | 8 | M2110890312 | DOUILLE DE LAMPE | 1 |
| 4 | M2110899206 | AUSSCHALTER/TRENNSCHALTER | 1 | 9 | M2110890356 | BOUTON_POUSSOIR | 1 |
| 5 | M2110899207 | KAPPE/TRENNSCHALTER DC260/43 | 1 | 10 | M2116122386 | CAPUCHON DE PROTECTION | 1 |
| 6 | M2110890376 | THERMOSTAT/DC 260/3 + 4/DC260/43 | 1 | 11 | M2116192371 | COIFFE PROTECTRICE | 1 |
| 7 | M2116158360 | STUNDENZÄH.+DIODENKAB. AB02/96 | 1 | 12 | M2110890595 | COMMUTATEUR | 1 |
| 8 | M2110890312 | LAMPENFASSUNG DC 260/3 + 4 ROT | 1 | 13 | M2110890313 | DOUILLE DE LAMPE | 1 |
| 9 | M2110890356 | DRUCKTASTER/DC 260/3 + 4 | 1 | 14 | M3120012020 | LAMPE A INCANDESCENCE,R 12 V 2 W A 122 | 1 |
| 10 | M2116122386 | KAPPE-DRUCKTASTER/DC 260/3 + 4 | 1 | 15 | M2116195268 | MANOMETRE | 1 |
| 11 | M2116192371 | DECKEL/SCHUTZKAPPE DC 260/5 | 1 | 16 | M2110890314 | SUPPORT DE LAMPE, VERT, INDICATION VIDE | 1 |
| 12 | M2110890595 | KIPPSCHALTER, FLACHSTECKER, WEISS AC | 1 | 1 | M3507105310 | ELECTROVALVE | 1 |
| 13 | M2110890313 | LAMPENFASSUNG/DC 260/3 + 4 GELB | 1 | 2 | M3133220415 | RELAY | 1 |
| 14 | M3120012020 | BIRNE R 12V 2W A 122 | 1 | 3 | M2106611033 | SEALING WASHER | 1 |
| 15 | M2116195268 | MANOMETER-LUFT AIR/DC 260/3 + 4 | 1 | 4 | M2110899206 | DC 260/43 10899206-31CIRCUIT BREAKER | 1 |
| 16 | M2110890314 | LAMPENFASSUNG GRÜN FÜR VACCUMANZEIGE | 1 | 5 | M2110899207 | PROTECTION CAP | 1 |
| 1 | M3507105310 | SOUPAPE A AIMANTEE | 1 | 6 | M2110890376 | TEMPERATURE SWITCH | 1 |
| 2 | M3133220415 | RELAIS | 1 | 7 | M2116158360 | HOURLMETER | 1 |
| 3 | M2106611033 | RONDELLE DETANCHEITE | 1 | 8 | M2110890312 | LAMPHOLDER | 1 |
| 4 | M2110899206 | STROMAFBRYDER | 1 | 9 | M2110890356 | PUSH BUTTON | 1 |
| 5 | M2110899207 | CAPUCHON DE PROTECTION | 1 | 10 | M2116122386 | PROTECTION CAP | 1 |



| <u>POS</u> | <u>ART-NR</u> | <u>BEZEICHNUNG</u> | <u>ST</u> | <u>POS</u> | <u>ART-NR.</u> | <u>BEZEICHNUNG</u> | <u>ST</u> |
|------------|---------------------|--|------------|------------|---------------------|--------------------|------------|
| <u>POS</u> | <u>NO.D'ARTICLE</u> | <u>DÉSIGNATION</u> | <u>QTÉ</u> | <u>POS</u> | <u>NO.D'ARTICLE</u> | <u>DÉSIGNATION</u> | <u>QTÉ</u> |
| <u>REF</u> | <u>ARTICLE NO</u> | <u>DESCRIPTION</u> | <u>QTY</u> | <u>REF</u> | <u>ARTICLE NO</u> | <u>DESCRIPTION</u> | <u>QTY</u> |
| 11 | M2116192371 | COVER/COVERING..... | 1 | | | | |
| 12 | M2110890595 | TOGGLE SWITCH | 1 | | | | |
| 13 | M2110890313 | LAMPHOLDER | 1 | | | | |
| 14 | M3120012020 | LIGHT BULB R 12V, 2 W A 122 | 1 | | | | |
| 15 | M2116195268 | PRESSURE GAUGE..... | 1 | | | | |
| 16 | M2110890314 | LAMP HOLDER GREEN FOR VACUUM INDICATION | 1 | | | | |



BILD, DESSIN, PICTURE: 43020.WMF

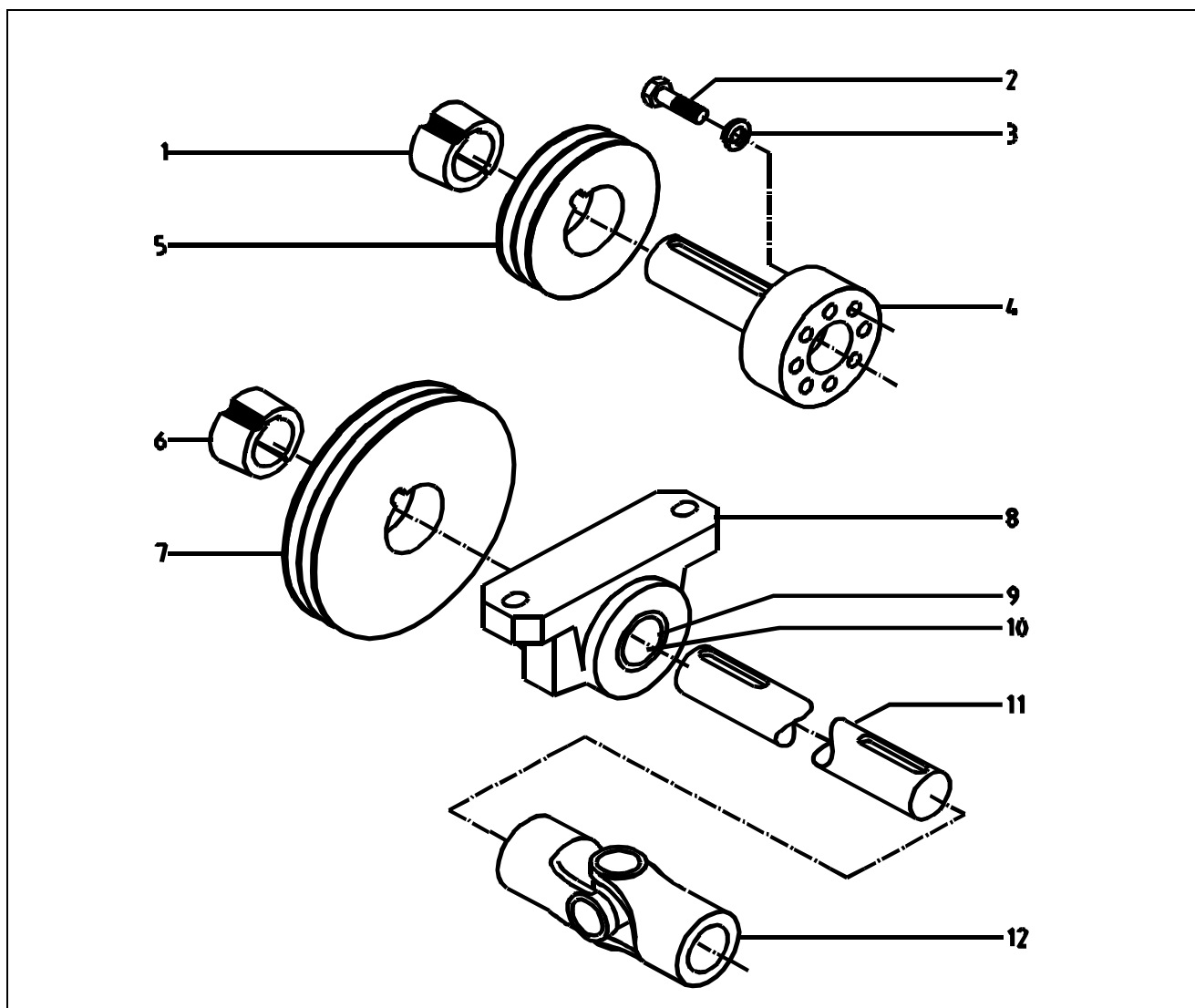
| POS | ART-NR. | BEZEICHNUNG | ST | POS | ART-NR. | BEZEICHNUNG | ST |
|-----|--------------|--|-----|-----|--------------|--|-----|
| POS | NO.D'ARTICLE | DÉSIGNATION | QTÉ | POS | NO.D'ARTICLE | DÉSIGNATION | QTÉ |
| REF | ARTICLE NO | DESCRIPTION | QTY | REF | ARTICLE NO | DESCRIPTION | QTY |
| 1 | M1802005060 | ..SPANNROLLE/RIEMENENTL. SVS+AC | 1 | 2 | M4126145000 | ..COURROIE TRAPEZOIDALE XPA 1450 | 1 |
| 2 | M4126145000 | ..ZAHNKEILRIE. XPA 1450 GETRIEBE | 1 | 3 | M5430060045 | ..ROULEMENT A BILLES 6004-2RSR | 1 |
| 3 | M5430060045 | ..RILLEN-KUGELLAGER 6004-2RSR | 1 | 4 | M1805005112 | ..ARBRE 50-05-11/2 POUR DECHARGEMENT COURROIE | 1 |
| 4 | M1805005112 | ..LAGERACHSE 50-05-11/2 | 1 | 5 | M6043013000 | ..GRAISSEUR COIFFE GPN1300A | 1 |
| 5 | M6043013000 | ..FETTNIPPEL-KAPPE GPN1300A | 1 | 6 | M6034161010 | ..GRAISSEUR H1 6KT M10X1,0 | 1 |
| 6 | M6034161010 | ..FETTNIPPEL H1 6KT M10X1,0 | 1 | 7 | M1805005100 | ..DISPOSITIF DE SERRAGE 50-05-10 | 1 |
| 7 | M1805005100 | ..SPANNSCHWINGE 50-05-10 | 1 | 8 | M1805005081 | ..RESSORT DE TRACTION 50-05-08/1 VERSTÄRKT | 1 |
| 8 | M1805005081 | ..ZUGFEDER 50-05-08/1 VERSTÄRKT | 1 | 9 | M5234160002 | ..MUTTER M16 | 1 |
| 9 | M5234160002 | ..MUTTER M16 | 1 | 10 | M1802005030 | ..FEDERGABEL/R-EENTL. SVS+AC | 1 |
| 10 | M1802005030 | ..FEDERGABEL/R-EENTL. SVS+AC | 1 | 11 | M1801905109 | ..BUNDBUCHSE RIEMENE. AC3.0+4.0 | 1 |
| 11 | M1801905109 | ..BUNDBUCHSE RIEMENE. AC3.0+4.0 | 1 | 12 | M1805005102 | ..BOLZEN F.SPANNRO.AC3+4/22-54 | 1 |
| 12 | M1805005102 | ..BOLZEN F.SPANNRO.AC3+4/22-54 | 1 | 13 | M1805005191 | ..ZUGSEIL F.KEILRIEMENENTLAST | 1 |
| 13 | M1805005191 | ..ZUGSEIL F.KEILRIEMENENTLAST | 1 | 14 | M1805005192 | ..SEILLAGERSTÜCK F.ZUGSEIL | 1 |
| 14 | M1805005192 | ..SEILLAGERSTÜCK F.ZUGSEIL | 1 | 15 | M1805005111 | ..LAGERBOCK 50-05-11 F.SPANNSCH. | 1 |
| 15 | M1805005111 | ..LAGERBOCK 50-05-11 F.SPANNSCH. | 1 | 16 | M1805005120 | ..RIEMENENTL.STELLH.DC260/22-43 | 1 |
| 16 | M1805005120 | ..RIEMENENTL.STELLH.DC260/22-43 | 1 | 1 | M1802005060 | ..COURROIE TRAPEZOIDALE ROULEAU DETENSION 20-05-06 | 1 |
| 1 | M1802005060 | ..COURROIE TRAPEZOIDALE ROULEAU DETENSION 20-05-06 | 1 | 15 | M1805005111 | ..BATI DE PALIER 50-05-11 POUR DISPOSITIF DE SERRAGE | 1 |



| POS | ART-NR | BEZEICHNUNG | ST | POS | ART-NR. | BEZEICHNUNG | ST |
|-----|--------------|--|-----|-----|--------------|-------------|-----|
| POS | NO.D'ARTICLE | DÉSIGNATION | QTÉ | POS | NO.D'ARTICLE | DÉSIGNATION | QTÉ |
| REF | ARTICLE NO | DESCRIPTION | QTY | REF | ARTICLE NO | DESCRIPTION | QTY |
| 16 | M1805005120 | DECHARGEMENT COURROIE LEVIER DE REGLAGE 50-05-12..... | 1 | | | | |
| 1 | M1802005060 | TENSIONING PULLEY 20-05-06 | 1 | | | | |
| 2 | M4126145000 | V-BELT, XPA 1450..... | 1 | | | | |
| 3 | M5430060045 | DEEP GROOVE BALL BEARING 6004-2RSR1 | | | | | |
| 4 | M1805005112 | ARBRE 50-05-11/2 | 1 | | | | |
| 5 | M6043013000 | GREASE-NIPPLE CAP GPN1300A | 1 | | | | |
| 6 | M6034161010 | GREASE NIPPLE H1 HEX. M10X1.0..... | 1 | | | | |
| 7 | M1805005100 | TENSIONING SWIVEL 50-05-10..... | 1 | | | | |
| 8 | M1805005081 | TENSION SPRING 50-05-08/1 REENFORCED | 1 | | | | |
| 9 | M5234160002 | NUT D 934-8 M16..... | 1 | | | | |
| 10 | M1802005030 | SPRING FORK 20-05-03 | 1 | | | | |
| 11 | M1801905109 | BUSH | 1 | | | | |
| 12 | M1805005102 | BOLT FOR V-BELT-TENSION PULLEY | 1 | | | | |
| 13 | M1805005191 | PULLING ROPE 50-05-19/1 | 1 | | | | |
| 14 | M1805005192 | ROPE BEARING PIECE 50-05-19/2 | 1 | | | | |
| 15 | M1805005111 | BEARING BLOCK FOR TENS. SWIVEL | 1 | | | | |
| 16 | M1805005120 | SETTING LEVER, CPL..... | 1 | | | | |



| POS | ART-NR | BEZEICHNUNG | ST | POS | ART-NR. | BEZEICHNUNG | ST |
|-----|--------------|--|-----|-----|--------------|-------------------------------------|-----|
| POS | NO.D ARTICLE | DÉSIGNATION | QTÉ | POS | NO.D ARTICLE | DÉSIGNATION | QTÉ |
| REF | ARTICLE NO | DESCRIPTION | QTY | REF | ARTICLE NO | DESCRIPTION | QTY |
| 25 | M1802605170 | ANSCHWEIßKLOTZ RIEMENENTL.DC260/51 | | 25 | M1802605170 | WELDING BLOCK 26-05-17 | 1 |
| 26 | M5430060045 | RILLEN-KUGELLAGER 6004-2RSR | 1 | 26 | M5430060045 | DEEP GROOVE BALL BEARING 6004-2RSR1 | 1 |
| 27 | M5371020012 | SEEGERRING D 471A 20,0X1,2 | 1 | 27 | M5371020012 | CIRCLIP RING D 471A 20.0X1.2 | 1 |
| 1 | M1802005090 | TIGE DE LEVIER 20-05-09 | 1 | | | | |
| 2 | M1801905115 | BOUTON DE VERROUILLAGE B8GN | 1 | | | | |
| 3 | M1801905050 | DISQUE D'ARRET 19-05-05 | 1 | | | | |
| 4 | M5234080002 | ECROU, D 934-8 M 8 GALV. | 2 | | | | |
| 5 | M5033080409 | VIS D 933 M8X40 S90G | 1 | | | | |
| 6 | M1802605050 | PLAQUE DE SUPPORT 26-05-05 | 1 | | | | |
| 7 | M1802605080 | ARBRE CARDAN 26-05-08 | 1 | | | | |
| 8 | M5234120002 | ECROU GALV. D934-8 M12 | 4 | | | | |
| 9 | M1805005194 | JOINT ARTICULE GIS M12 | 2 | | | | |
| 10 | M5325130002 | RONDELLE D 125 13,0 | 2 | | | | |
| 11 | M5033080202 | BOULON A TETE HEXAGONALE, D933 M8X20GALV. | 1 | | | | |
| 12 | M5327082002 | RONDELLE A RESSORT D 127A 8,2 GALV. | 1 | | | | |
| 13 | M1802605060 | TIGE DE TRACTION 26-05-06 DC 260/54 | 1 | | | | |
| 14 | M1802605180 | LEVIER 26-05-18 DC 260/54 | 1 | | | | |
| 15 | M1801905260 | COLLIER A 22 19-05-26 | 2 | | | | |
| 16 | M5031100452 | BOULON A TETE HEXAGONALE M 10X45GALV. | 1 | | | | |
| 17 | M1801905030 | LEVIER | 1 | | | | |
| 18 | M5234100002 | ECROU M10 DIN 934 GALV. | 1 | | | | |
| 19 | M5388200281 | RONDELLE D'AJUSTAGE DIN 988,20X28X1 | 1 | | | | |
| 20 | M5033120552 | VIS A SIX PANS M12X55 DIN 933-8,8 | 1 | | | | |
| 21 | M1802005060 | ROULEAU DE TENSION | 1 | | | | |
| 22 | M5033100252 | BOULON A TETE HEXAGONALE M10X25 GALV. | 1 | | | | |
| 23 | M6034161010 | GRAISSEUR H1 6KT M10X1,0 | 1 | | | | |
| 24 | M1801905020 | CHAISE DE SUPPORT | 1 | | | | |
| 25 | M1802605170 | BUCHE DE SOUDAGE | 1 | | | | |
| 26 | M5430060045 | ROULEMENT A BILLES 6004-2RSR | 1 | | | | |
| 27 | M5371020012 | ANNEAU SEEGER D 471 A 20,0X1,2 | 1 | | | | |
| 1 | M1802005090 | SWITCHING LEVER 20-05-09 | 1 | | | | |
| 2 | M1801905115 | LATCHING BOLT B8GN | 1 | | | | |
| 3 | M1801905050 | DISTANCE DISC 19-05-05 | 1 | | | | |
| 4 | M5234080002 | NUT, GALV. D 934-8 M8 | 2 | | | | |
| 5 | M5033080409 | SCREW D933 GALV., M8X40 S90G | 1 | | | | |
| 6 | M1802605050 | BEARING PLATE 26-05-05 | 1 | | | | |
| 7 | M1802605080 | CARDAN SHAFT 26-05-08 | 1 | | | | |
| 8 | M5234120002 | NUT GALV. D934-8 M12 | 4 | | | | |
| 9 | M1805005194 | JOINT GIS M12 | 2 | | | | |
| 10 | M5325130002 | WASHER D 125 13.0 | 2 | | | | |
| 11 | M5033080202 | HEXAGON HEAD CAP SCREW, GALVANISED M8X20 | 1 | | | | |
| 12 | M5327082002 | SPRING RING D 127A 8.2 GALV. | 1 | | | | |
| 13 | M1802605060 | DRAG-BAR 26-05-06 DC 260/54 | 1 | | | | |
| 14 | M1802605180 | LEVER 26-05-18 DC 260/54 | 1 | | | | |
| 15 | M1801905260 | SET COLLAR A 22 19-05-26 | 2 | | | | |
| 16 | M5031100452 | HEXAGON HEAD CAP SCREW M10X45, GALV. | 1 | | | | |
| 17 | M1801905030 | LEVER | 1 | | | | |
| 18 | M5234100002 | NUT, GALV. M10 | 1 | | | | |
| 19 | M5388200281 | FITTING DISK DIN 988,20X28X1 | 1 | | | | |
| 20 | M5033120552 | HEXAGON HEAD CAP SCREW M12X55 DIN 933-8.8 | 1 | | | | |
| 21 | M1802005060 | TENSION ROLLER | 1 | | | | |
| 22 | M5033100252 | HEXAGON HEAD CAP SCREW M10X25 GALV. | 1 | | | | |
| 23 | M6034161010 | GREASE NIPPLE H1 HEX. M10X1.0 | 1 | | | | |
| 24 | M1801905020 | BEARING BUSH | 1 | | | | |



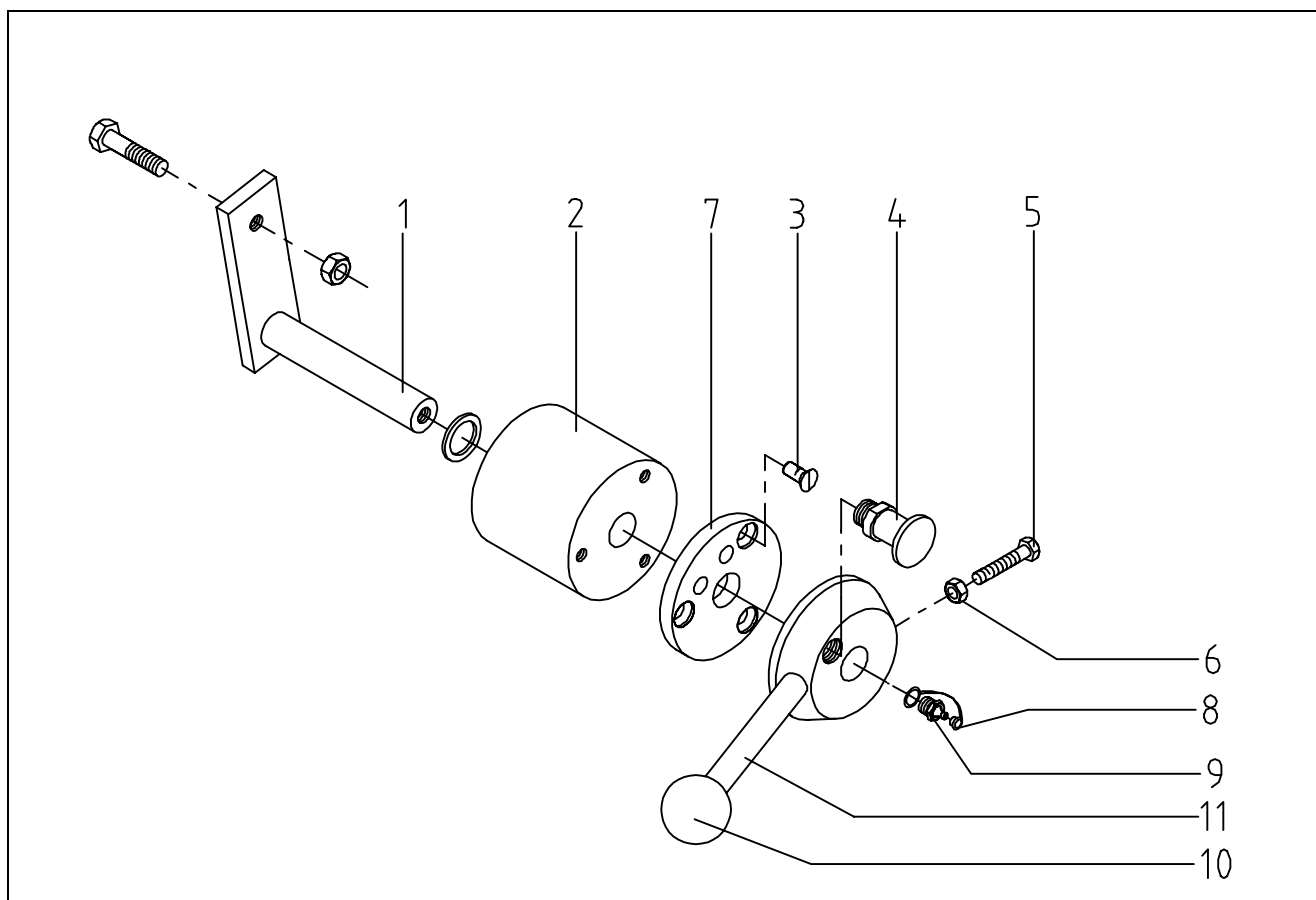
BILD, DESSIN, PICTURE: 54001.WMF

| POS | ART-NR | BEZEICHNUNG | ST | POS | ART-NR. | BEZEICHNUNG | ST |
|-----|--------------|---|-----|-----|--------------|--|-----|
| POS | NO.D'ARTICLE | DÉSIGNATION | QTÉ | POS | NO.D'ARTICLE | DÉSIGNATION | QTÉ |
| REF | ARTICLE NO | DESCRIPTION | QTY | REF | ARTICLE NO | DESCRIPTION | QTY |
| 1 | M4029201240 | ..SPANNBUCHSE TL 2012/40 FÜR SPA 132-3 TL | 1 | 6 | M4029251740 | ..DOUILLE DE SERRAGE TL | 1 |
| 2 | M5033080452 | ..SECHSKANTSCHRAUBE D 933 M 8X 45 VERZ | 1 | 7 | M4022200200 | ..POULIE A GORGE CONIQUE TL 200X2SPA1 | 1 |
| 3 | M5327082002 | ..FEDERRING VERZ. D 127A 8,2 | 1 | 8 | M5471005090 | ..BOITE CRAPAUDINE SN 509 | 1 |
| 4 | M1802605150 | ..ZAPFENWELLE/MOTOR F4L1011 | 1 | 9 | M5430012093 | ..PENDULE-ROULEMENT A BILLES | 1 |
| 5 | M4022132200 | ..KEILRIEMENSCHLEIBE TL 132X2SPA | 1 | 10 | M5491020900 | ..DOUILLE DE SERRAGE | 1 |
| 6 | M4029251740 | ..SPANNBUCHSE TL 2517/40 | 1 | 11 | M1802605060 | ..TIGE DE TRACTION 26-05-06 DC 260/54 | 1 |
| 7 | M4022200200 | ..KEILRIEMENSCHLEIBE TL 200X2SPA | 1 | 12 | M3090008100 | ..JOINT A CARDAN | 1 |
| 8 | M5471005090 | ..STEHLAGERGEHÄUSE SN 509 | 1 | 1 | M4029201240 | ..SPRING COLLET TL 2012/40FOR SPA 132-3 TL | 1 |
| 9 | M5430012093 | ..PENDEL-KUGELLAGER 1209K.C3 | 1 | 2 | M5033080452 | ..HEXAGON HEAD CAP SCREW M 8X45 GALV. | 1 |
| 10 | M5491020900 | ..SPANNHÜLSE H 209 | 1 | 3 | M5327082002 | ..SPRING RING D 127A 8.2 GALV. | 1 |
| 11 | M1802605060 | ..ZUGSTANGE/RIEMEN TL DC260/54 | 1 | 4 | M1802605150 | ..POWER TAKE-OFF SHAFT/ENGINE F 4L 1011 | 1 |
| 12 | M3090008100 | ..KARDANGELENK 08100120 B.30+40 | 1 | 5 | M4022132200 | ..V-BELT PULLEY TL 132X2SPA | 1 |
| 1 | M4029201240 | ..DOUILLE DE SERRAGE TL 2012/40 POUR SPA 132-3 TL | 1 | 6 | M4029251740 | ..SPRING COLLET TL | 1 |
| 2 | M5033080452 | ..VIS A SIX PANS D 933 M 8X45 GALV. | 1 | 7 | M4022200200 | ..V-BELT PULLEY TL 200X2SPA | 1 |
| 3 | M5327082002 | ..RONDELLE A RESSORT D 127A 8,2 GALV. | 1 | 8 | M5471005090 | ..HOUSING FOR ROLLER BEARING SN 509 | 1 |
| 4 | M1802605150 | ..PRISE DE FORCE/MOTEUR F4L 1011 | 1 | 9 | M5430012093 | ..SELF-ALIGNING BALL BEARING | 1 |
| 5 | M4022132200 | ..POULIE A GORGE CONIQUE TL 132X2SPA1 | 1 | 10 | M5491020900 | ..ADAPTER SLEEVE | 1 |

Ersatzteilliste, liste des pièces détachées, spare part list
H02 ANTRIEB KREUZGELENK / ENTRAINEMENT JOINT UNIVERSEL / DRIVE UNIVERSAL JOINT
Type DC 260/54

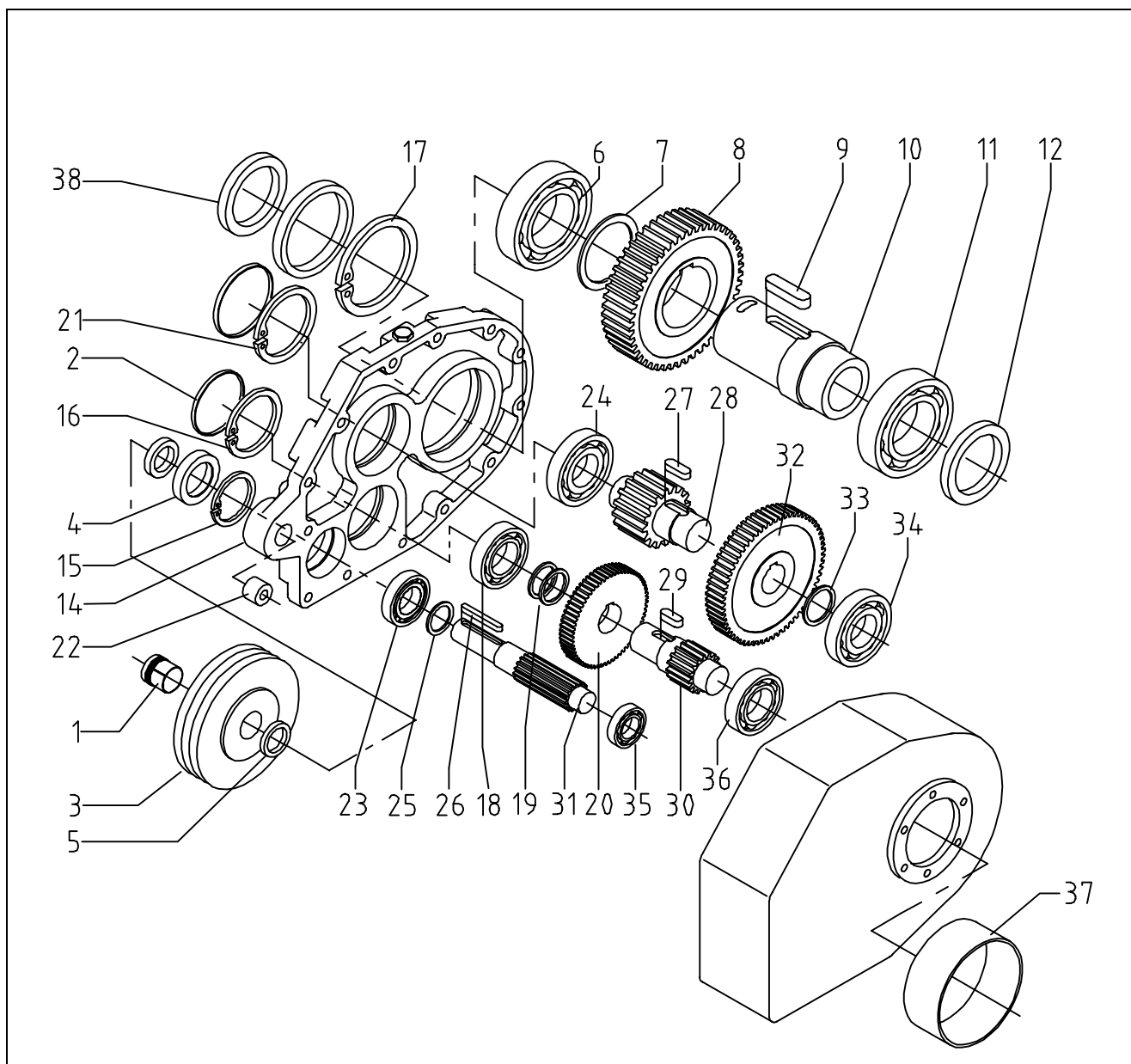


| <u>POS</u> | <u>ART-NR</u> | <u>BEZEICHNUNG</u> | <u>ST</u> | <u>POS</u> | <u>ART-NR.</u> | <u>BEZEICHNUNG</u> | <u>ST</u> |
|------------|---------------------|-----------------------------|------------|------------|---------------------|--------------------|------------|
| <u>POS</u> | <u>NO.D'ARTICLE</u> | <u>DÉSIGNATION</u> | <u>QTÉ</u> | <u>POS</u> | <u>NO.D'ARTICLE</u> | <u>DÉSIGNATION</u> | <u>QTÉ</u> |
| <u>REF</u> | <u>ARTICLE NO</u> | <u>DESCRIPTION</u> | <u>QTY</u> | <u>REF</u> | <u>ARTICLE NO</u> | <u>DESCRIPTION</u> | <u>QTY</u> |
| 11 | M1802605060 | DRAG-BAR 26-05-06 DC 260/54 | 1 | | | | |
| 12 | M3090008100 | CARDAN JOINT | 1 | | | | |



BILD, DESSIN, PICTURE: 43047.WMF

| POS | ART-NR | BEZEICHUNG | ST | POS | ART-NR. | BEZEICHUNG | ST |
|-----|--------------|--|-----|-----|--------------|---------------------------------|-----|
| POS | NO.D'ARTICLE | DÉSIGNATION | QTÉ | POS | NO.D'ARTICLE | DÉSIGNATION | QTÉ |
| REF | ARTICLE NO | DESCRIPTION | QTY | REF | ARTICLE NO | DESCRIPTION | QTY |
| 1 | M1805005140 | STELLHEBEL/RIEMENENTLASTUNG | 1 | 6 | M5234080002 | ..NUT, GALV. D 934-8 M8 | 1 |
| 2 | M1805005130 | DISTANZR./RIEMENE.DC260/22-43 | 1 | 7 | M1805005090 | ..WASHER 50-05-09 | 1 |
| 3 | M5091080252 | SCHRAUBE D 7991 M 8X 25 | 1 | 8 | M6043013000 | ..GREASE-NIPPLE CAP GPN1300A | 1 |
| 4 | M1801905115 | ..RASTBOLZEN/RIEMENENTL.A+S 3/4.0 | 1 | 9 | M6034161010 | ..GREASE NIPPLE H1 HEX. M10X1.0 | 1 |
| 5 | M5033080409 | ..SCHRAUBE D 933 8X40 90GRAD | 1 | 10 | M1801905114 | ..BALL KNOB D40 M10 DIN 913 | 1 |
| 6 | M5234080002 | ..MUTTER D 934-8 M 8 | 1 | 11 | M1802005090 | ..SWITCHING LEVER 20-05-09 | 1 |
| 7 | M1805005090 | ..DISTANZSCHEIBE RIEMENENTLASTUNG | 1 | | | | |
| 8 | M6043013000 | ..FETTNIPPEL-KAPPE GPN1300A | 1 | | | | |
| 9 | M6034161010 | ..FETTNIPPEL H1 6KT M10X1,0 | 1 | | | | |
| 10 | M1801905114 | ..KUGELKNOPF RIEMENE. AC3.0+4.0 | 1 | | | | |
| 11 | M1802005090 | ..SCHALTHEBEL/RIEMENENTL. SVS+AC | 1 | | | | |
| 1 | M1805005140 | ..LEVIER DE COMMANDE 50-05-14 | 1 | | | | |
| 2 | M1805005130 | ..RONDELLE D'ECARTEMENT 50-05-13 | 1 | | | | |
| 3 | M5091080252 | ..VIS D 7991 M8X25 | 1 | | | | |
| 4 | M1801905115 | ..TIGE D'ENCLANCHEMENT B8GN 190510/151 | 1 | | | | |
| 5 | M5033080409 | ..VIS D 933 M8X40 S90G | 1 | | | | |
| 6 | M5234080002 | ..ECROU, D 934-8 M 8 | 1 | | | | |
| 7 | M1805005090 | ..RONDELLE 50-05-09 | 1 | | | | |
| 8 | M6043013000 | ..GRAISSEUR COIFFE GPN1300A | 1 | | | | |
| 9 | M6034161010 | ..GRAISSEUR H1 6KT M10X1,0 | 1 | | | | |
| 10 | M1801905114 | ..BOULE D40 M10 DIN913 | 1 | | | | |
| 11 | M1802005090 | ..TIGE DE LEVIER 20-05-09 | 1 | | | | |
| 1 | M1805005140 | ..SETTING LEVER 50-05-14 | 1 | | | | |
| 2 | M1805005130 | ..SPACER RING 50-05-13 | 1 | | | | |
| 3 | M5091080252 | ..SCREW D 7991 GALV. M8X25 | 1 | | | | |
| 4 | M1801905115 | ..LATCHING BOLT B8GN 190510/15 | 1 | | | | |
| 5 | M5033080409 | ..SCREW D933 GALV., M8X40 S90G | 1 | | | | |



BILD, DESSIN, PICTURE: 43017.WMF

| POS | ART-NR | BEZEICHNUNG | ST | POS | ART-NR. | BEZEICHNUNG | ST |
|-----|--------------|----------------------------------|-----|-----|--------------|-----------------------------------|-----|
| POS | NO.D'ARTICLE | DÉSIGNATION | QTÉ | POS | NO.D'ARTICLE | DÉSIGNATION | QTÉ |
| REF | ARTICLE NO | DESCRIPTION | QTY | REF | ARTICLE NO | DESCRIPTION | QTY |
| 1 | M4029251730 | ..SPANNBUCHSE TL 2517/30 | 1 | 17 | M5372130040 | ..SEEGERRING D 472J 130,0X4,0 | 1 |
| 2 | M3024493124 | ..VERSCHLUßDECKEL 90X8MM | 1 | 18 | M5430063081 | ..RILLEN-KUGELLAGER 6308 Z | 1 |
| 3 | M4022200300 | ..KEILRIEMENSCHLEIBE TL 200X3SPA | 1 | 19 | M3024492995 | ..STÜTZSCHEIBE 40X50X2,5 XP244D | 1 |
| 4 | M4303504707 | ..SIMMERR.35X47X7 XP244D AB 2/94 | 1 | 20 | M3024491071 | ..ZAHNRAD XP 244-107 D NEU | 1 |
| 5 | M4303504707 | ..SIMMERR.35X47X7 XP244D AB 2/94 | 1 | 21 | M5372100030 | ..SEEGERRING D 472J 100,0X3,0 | 1 |
| 6 | M5430060170 | ..RILLEN-KUGELLAGER 6017 | 1 | 22 | M1805005270 | ..BUCHSE,GETRIEBEAUF.DC260/22-43 | 1 |
| 7 | M3024493060 | ..STÜTZSCHEIBE XP 244-306 | 1 | 23 | M5420222070 | ..PENDEL-ROLLENLA.XP244D AB 02/94 | 1 |
| 8 | M3024491091 | ..ZAHNRAD XP 244-109 D NEU | 1 | 24 | M5430063091 | ..RILLEN-KUGELLAGER 6309 Z | 1 |
| 9 | M5385221405 | ..PASSFEDER D 6885B 22X14X50 | 1 | 25 | M3024492995 | ..STÜTZSCHEIBE 40X50X2,5 XP244D | 1 |
| 10 | M3024491070 | ..HOHLWELLE XP 244 A+D | 1 | 26 | M3024492070 | ..PASSFEDER XP 244-207 | 1 |
| 11 | M5430060170 | ..RILLEN-KUGELLAGER 6017 | 1 | 27 | M5385140902 | ..PASSFEDER 14X9X28 XP244 D | 1 |
| 12 | M4308511013 | ..SIMMERRING 85X110X 13 | 1 | 28 | M3024491051 | ..RITZELWELLE XP 244-105 D NEU | 1 |
| 13 | M3024493125 | ..VERSCHLUßDECKEL 100X10MM | 1 | 29 | M5385120802 | ..PASSFEDER 12X8X28 XP244 D | 1 |
| 14 | M3024493121 | ..ENTLÜFTUNGSVENTIL M20X1,5 | 1 | 30 | M3024491041 | ..RITZELWELLE XP244-104 D NEU | 1 |
| 15 | M5372072025 | ..SEEGERRING D 472J 72,0X2,5 | 1 | 31 | M3024491031 | ..EINTRIEBSWELLE XP244-103D NEU | 1 |
| 16 | M5372090030 | ..SEEGERRING D 472J 90,0X3,0 | 1 | 32 | M3024491081 | ..ZAHNRAD XP 244-108 D NEU | 1 |

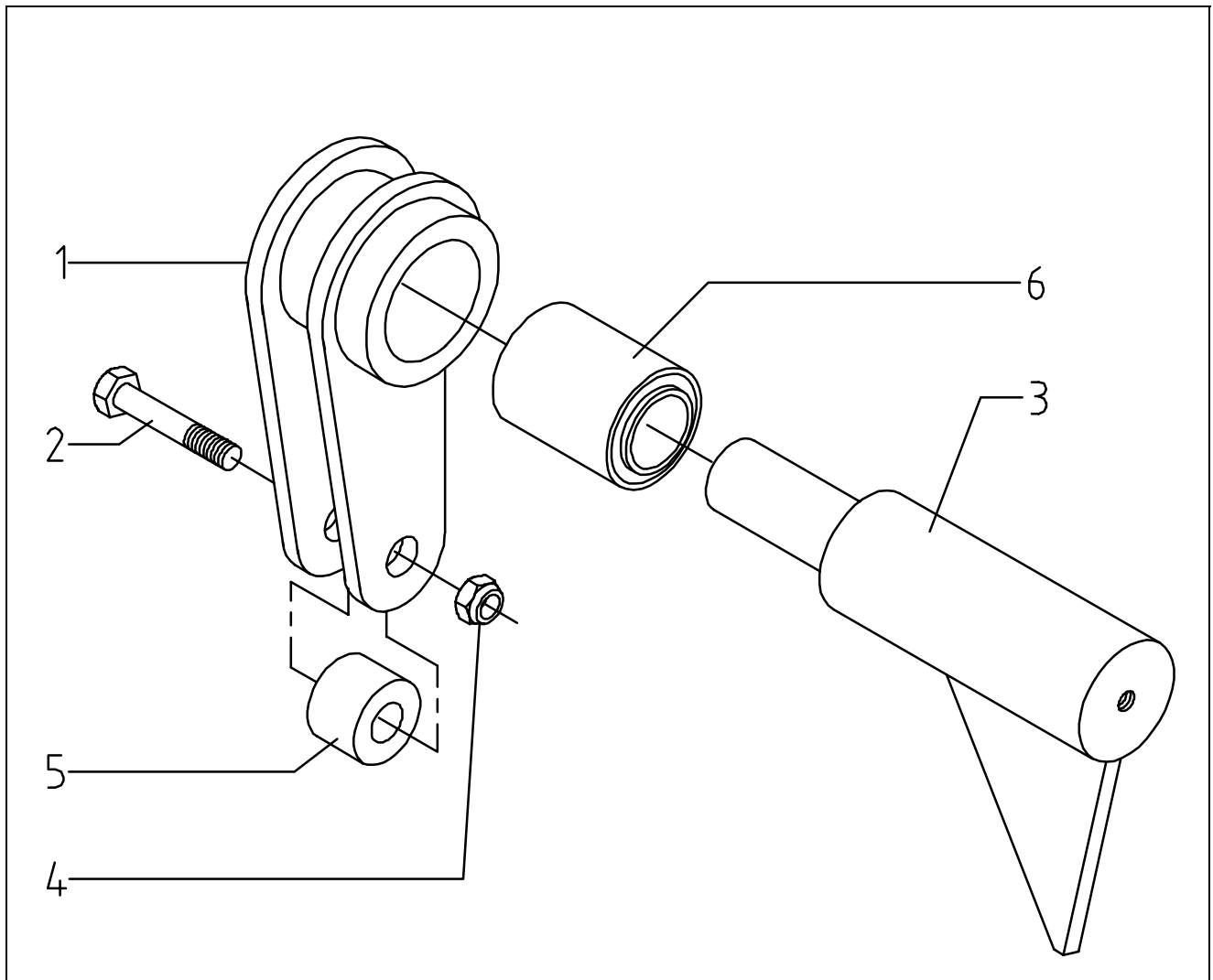
Ersatzteilliste, liste des pièces détachées, spare part list

H02 GETRIEBE / REDUCTEUR / GEARBOX

TYPE XP 244 D / DC 260/22-43 ↑02/94

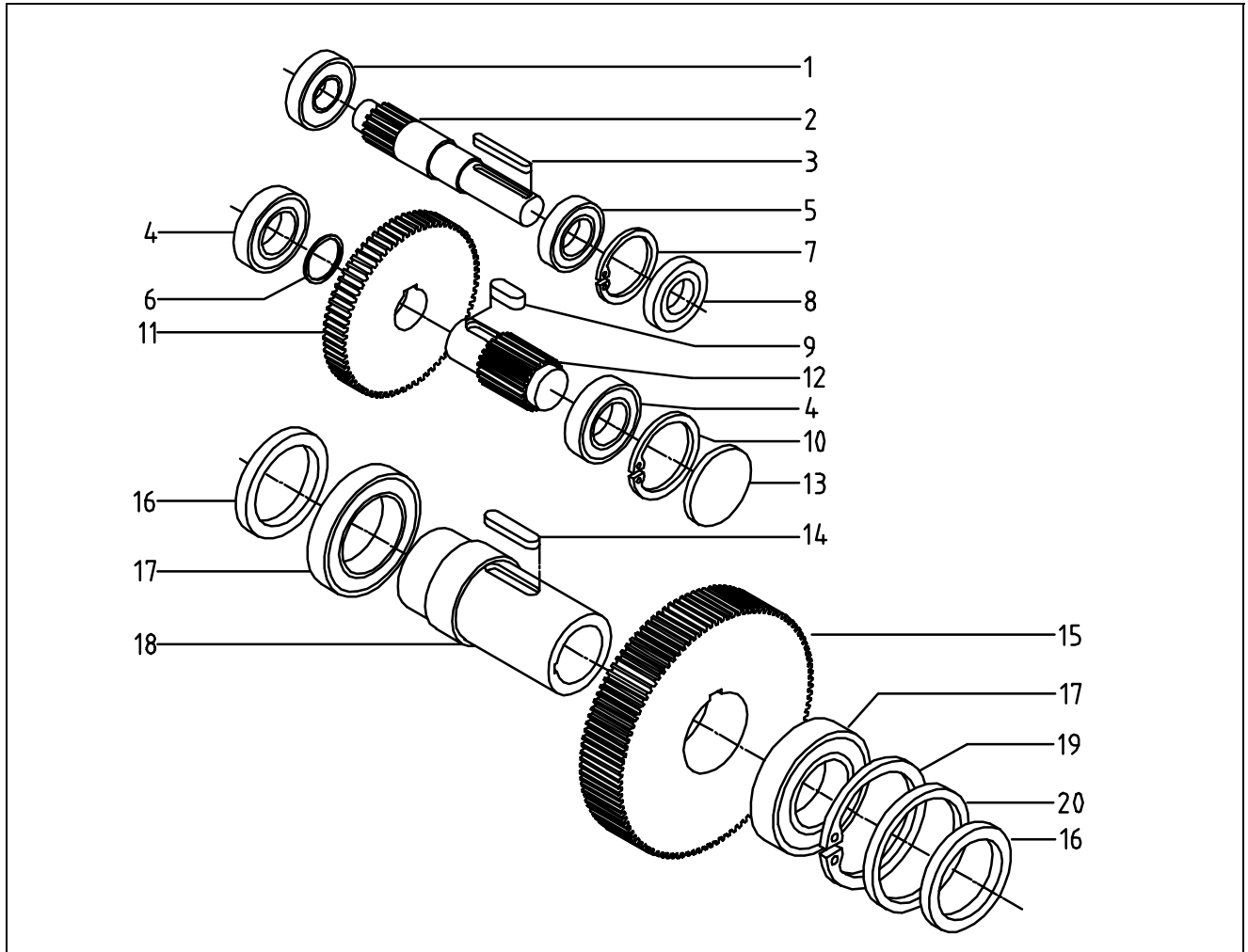


| POS | ART-NR | BEZEICHNUNG | ST | POS | ART-NR. | BEZEICHNUNG | ST |
|-----|--------------|--|-----|-----|--------------|--|-----|
| POS | NO.D'ARTICLE | DÉSIGNATION | QTÉ | POS | NO.D'ARTICLE | DÉSIGNATION | QTÉ |
| REF | ARTICLE NO | DESCRIPTION | QTY | REF | ARTICLE NO | DESCRIPTION | QTY |
| 33 | M3024493000 | STÜTZSCHEIBE XP 244-300 | 1 | 11 | M5430060170 | GROOVED BALL BEARING 6017 | 1 |
| 34 | M5430063091 | RILLEN-KUGELLAGER 6309 Z | 1 | 12 | M4308511013 | SHAFT SEAL RING 85MM DIAM./110X13 | 1 |
| 35 | M5430063060 | RILLEN-KUGELLAGER 6306 | 1 | 13 | M3024493125 | COVER 100X10MM | 1 |
| 36 | M5430063081 | RILLEN-KUGELLAGER 6308 Z | 1 | 14 | M3024493121 | VENT VALVE M20X1,5 HPI | 1 |
| 37 | M4230600301 | GUMMI-SCHLAUCHRING,GETRIEBE/ABDICHTUNG VORNE | 1 | 15 | M5372072025 | SEEGER CIRCLIP RING D 472J 72,0X2,5 | 1 |
| 38 | M4308511013 | SIMMERRING 85X110X 13 | 1 | 16 | M5372090030 | SEEGER CIRCLIP RING D 472J 90,0X3,0 | 1 |
| 1 | M4029251730 | DOUILLE DE SERRAGE TL 2517/30 | 1 | 17 | M5372130040 | SEEGER CIRCLIP RING D 472J 130,0X4,0 | 1 |
| 2 | M3024493124 | CAPOT DE FERMETURE D 90X8MM | 1 | 18 | M5430063081 | GROOVED BALL BEARING 6308 | 1 |
| 3 | M4022200300 | POULIE A GORGE CONIQUE | 1 | 19 | M3024492995 | SUPPORTING DISK SS 40X50X2,5 | 1 |
| 4 | M4303504707 | JOINT D' ARBRE D3760 | 1 | 20 | M3024491071 | COGWHEEL | 1 |
| 5 | M4303504707 | JOINT D' ARBRE D3760 | 1 | 21 | M5372100030 | SEEGER CIRCLIP RING D 472J 100,0X3,0 | 1 |
| 6 | M5430060170 | ROULE MENT A BILLES A GORGE | 1 | 22 | M1805005270 | BUSHING 50-05-27 FOR GEAR BOX SUSPENSION | 1 |
| 7 | M3024493060 | DISQUE DE SUPPORT | 1 | 23 | M5420222070 | SELF-ALIGNING ROLLER BEARING | 1 |
| 8 | M3024491091 | ROUE DENTEE | 1 | 24 | M5430063091 | GROOVED BALL BEARING 6309 | 1 |
| 9 | M5385221405 | RESSORT D' AJUSTAGE D 6885B 22X14X50 | 1 | 25 | M3024492995 | SUPPORTING DISK SS 40X50X2,5 | 1 |
| 10 | M3024491070 | ARBRE CREUX | 1 | 26 | M3024492070 | FEATHER A 8X7X70 | 1 |
| 11 | M5430060170 | ROULE MENT A BILLES A GORGE | 1 | 27 | M5385140902 | FEATHER AB 14X9X28 | 1 |
| 12 | M4308511013 | JOINT D' ARBRE 85X110X13 | 1 | 28 | M3024491051 | PINION SHAFT | 1 |
| 13 | M3024493125 | COUVERCLE 100X10MM | 1 | 29 | M5385120802 | FEATHER AB 12X8X28 | 1 |
| 14 | M3024493121 | SOUPAPE DE DEGAGEMENT D'AIR M20X1,5 HPI | 1 | 30 | M3024491041 | PINION SHAFT | 1 |
| 15 | M5372072025 | ANNEAU SEEGER D 472J 72,0X2,5 | 1 | 31 | M3024491031 | DRIVE PINION | 1 |
| 16 | M5372090030 | ANNEAU SEEGER D 472J 90,0X3,0 | 1 | 32 | M3024491081 | COGWHEEL | 1 |
| 17 | M5372130040 | ANNEAU SEEGER D 472J 130,0X4,0 | 1 | 33 | M3024493000 | SUPPORTING DISK SS 45X55X3 | 1 |
| 18 | M5430063081 | ROULEMENT A BILLES RAINURE 6308 | 1 | 34 | M5430063091 | GROOVED BALL BEARING 6309 | 1 |
| 19 | M3024492995 | PIGNON 40X50X2,5 | 1 | 35 | M5430063060 | GROOVED BALL BEARING 6306 | 1 |
| 20 | M3024491071 | ROUE DENTEE | 1 | 36 | M5430063081 | GROOVED BALL BEARING 6308 | 1 |
| 21 | M5372100030 | ANNEAU SEEGER D 472J 100,0X3,0 | 1 | 37 | M4230600301 | RUBBER HOSE RING 150X60X3 | 1 |
| 22 | M1805005270 | DOUILLE 50-05-27 POUR SUPPORT DEREDUCTEUR | 1 | 38 | M4308511013 | SHAFT SEAL RING 85MM DIAM./110X13 | 1 |
| 23 | M5420222070 | ROULEMENT PENDULAIRE | 1 | | | | |
| 24 | M5430063091 | ROULEMENT A BILLES RAINURE 6309 | 1 | | | | |
| 25 | M3024492995 | PIGNON 40X50X2,5 | 1 | | | | |
| 26 | M3024492070 | RESSORT D' AJUSTAGE A 8X7X70 | 1 | | | | |
| 27 | M5385140902 | RESSORT D' AJUSTAGE AB 14X9X28 | 1 | | | | |
| 28 | M3024491051 | ARBRE DE PIGNON | 1 | | | | |
| 29 | M5385120802 | RESSORT D' AJUSTAGE AB 12X8X28 | 1 | | | | |
| 30 | M3024491041 | ARBRE CANNELE | 1 | | | | |
| 31 | M3024491031 | ARBRE CANNELE ENTRAINEMENT | 1 | | | | |
| 32 | M3024491081 | PIGNON | 1 | | | | |
| 33 | M3024493000 | PIGNON 45/55 X 3,0 | 1 | | | | |
| 34 | M5430063091 | ROULEMENT A BILLES RAINURE 6309 | 1 | | | | |
| 35 | M5430063060 | ROULEMENT A BILLES RAINURE 6306 | 1 | | | | |
| 36 | M5430063081 | ROULEMENT A BILLES RAINURE 6308 | 1 | | | | |
| 37 | M4230600301 | RING DE TUYAU AU CAOUTCHOUC 150X60X3 | 1 | | | | |
| 38 | M4308511013 | JOINT D' ARBRE 85X110X13 | 1 | | | | |
| 1 | M4029251730 | CLAMP BUSHING FOR 30 MM DIAMETER SHAFT | 1 | | | | |
| 2 | M3024493124 | SEALING COVER D 90X8MM | 1 | | | | |
| 3 | M4022200300 | V-BELT PULLEY 3 GROOVES | 1 | | | | |
| 4 | M4303504707 | SHAFT SEAL D3760 | 1 | | | | |
| 5 | M4303504707 | SHAFT SEAL D3760 | 1 | | | | |
| 6 | M5430060170 | GROOVED BALL BEARING 6017 | 1 | | | | |
| 7 | M3024493060 | SUPPORTING DISC | 1 | | | | |
| 8 | M3024491091 | COGWHEEL | 1 | | | | |
| 9 | M5385221405 | FEAHTER B 22X14X50 | 1 | | | | |
| 10 | M3024491070 | SHAFT | 1 | | | | |



BILD, DESSIN, PICTURE: 43018.WMF

| POS | ART-NR. | BEZEICHNUNG | ST | POS | ART-NR. | BEZEICHNUNG | ST |
|-----|--------------|--|-----|-----|--------------|--|-----|
| POS | NO.D'ARTICLE | DÉSIGNATION | QTÉ | POS | NO.D'ARTICLE | DÉSIGNATION | QTÉ |
| REF | ARTICLE NO | DESCRIPTION | QTY | REF | ARTICLE NO | DESCRIPTION | QTY |
| 1 | M1805005240 | GETRIEBEAUFHÄNG.NEU DC260/43 | 1 | 6 | M1805005151 | ULTRA-BUSHING FOR GEARBOX SUSPENSION FROM 04/94 | 1 |
| 2 | M5033160500 | SCHRAUBE D 933 M 16X 50 | 1 | | | | |
| 3 | M1805005170 | BOLZEN 50-05-17 | 1 | | | | |
| 4 | M5280160000 | MUTTER D 980 M16 | 1 | | | | |
| 5 | M1805005270 | BUCHSE,GETRIEBEAUF.DC260/22-43 | 1 | | | | |
| 6 | M1805005151 | ULTRABUCHSE FÜR GETRIEBEAUFHÄNGUNGAB 04/94 | 1 | | | | |
| 1 | M1805005240 | SUPPORT DE REDUCTEUR 50-05-24 | 1 | | | | |
| 2 | M5033160500 | VIS D 933-8,8 M16X50 | 1 | | | | |
| 3 | M1805005170 | BOULON 50-05-17 | 1 | | | | |
| 4 | M5280160000 | ECROU D980 V M16 | 1 | | | | |
| 5 | M1805005270 | DOUILLE 50-05-27 POUR SUPPORT DEREDUCTEUR | 1 | | | | |
| 6 | M1805005151 | ULTRA-DOUILLE POUR SUPPORT DE REDUCTEUR A PARTIR DE 04/94 | 1 | | | | |
| 1 | M1805005240 | GEAR SUSPENSION 50-05-25 | 1 | | | | |
| 2 | M5033160500 | SCREW D 933-8.8 M16X50 | 1 | | | | |
| 3 | M1805005170 | BOLT 50-05-17, WELDED TO VEHICLE CHASSIS | 1 | | | | |
| 4 | M5280160000 | NUT D 980 M16 | 1 | | | | |
| 5 | M1805005270 | BUSHING 50-05-27 FOR GEAR BOX SUSPENSION | 1 | | | | |



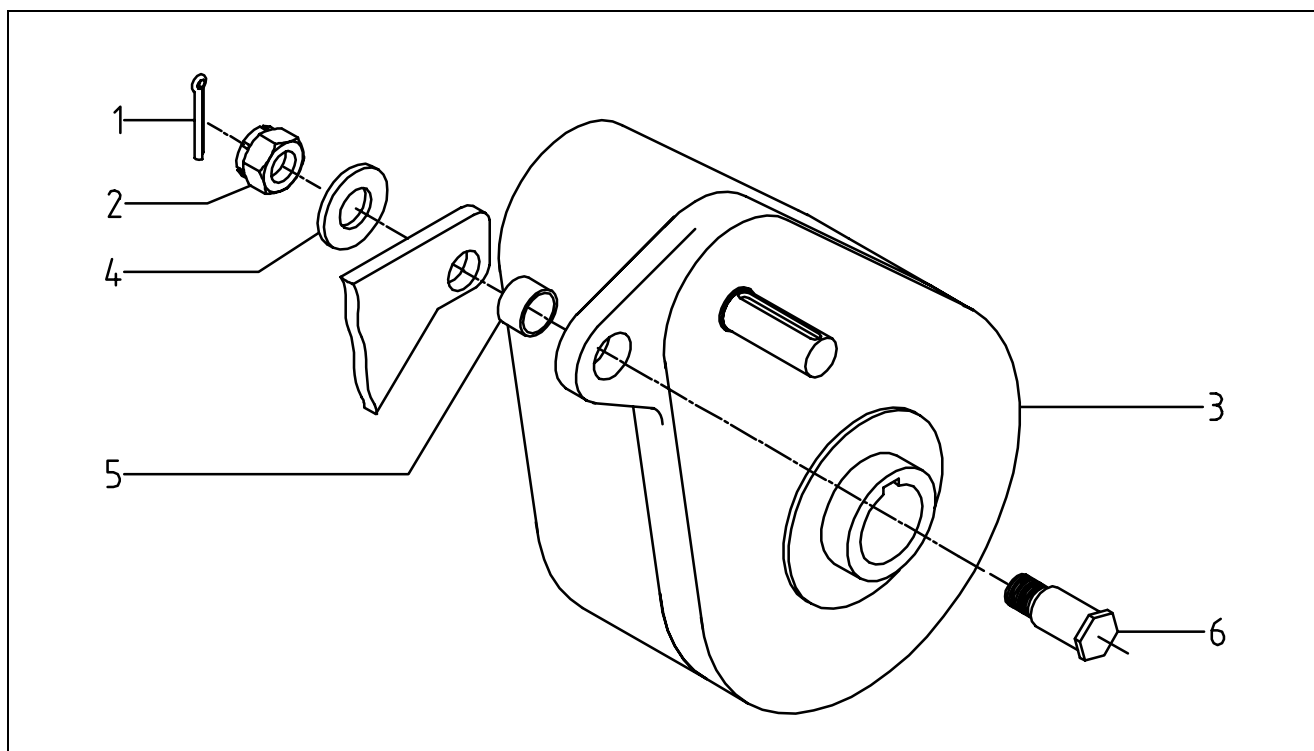
BILD, DESSIN, PICTURE: 54003.WMF

| POS | ART-NR | BEZEICHNUNG | ST | POS | ART-NR. | BEZEICHNUNG | ST |
|-----|--------------|---------------------------------|-----|-----|--------------|---------------------------------------|-----|
| POS | NO.D'ARTICLE | DÉSIGNATION | QTÉ | POS | NO.D'ARTICLE | DÉSIGNATION | QTÉ |
| REF | ARTICLE NO | DESCRIPTION | QTY | REF | ARTICLE NO | DESCRIPTION | QTY |
| 1 | M5430063060 | RILLEN-KUGELLAGER 6306 | 1 | 4 | M5430063081 | ROULEMENT A BILLES RAINURE 6308 | 2 |
| 2 | M3024491030 | EINTRIEBSWELLE XP 244A-103 | 1 | 5 | M5420002071 | PALIER A ROULEAUX | 1 |
| 3 | M3024492070 | PASSFEDER XP 244-207 | 1 | 6 | M3024493050 | DISQUE DE SUPPORT XP 244 | 1 |
| 4 | M5430063081 | RILLEN-KUGELLAGER 6308 Z | 2 | 7 | M5372072025 | ANNEAU SEEGER D 472J 72,0X2,5 | 1 |
| 5 | M5420002071 | ZYLINDER-ROLLENLAGERNJ 207 E | 1 | 8 | M4303505212 | JOINT B1 SL 35X52X12 | 1 |
| 6 | M3024493050 | STÜTZSCHEIBE XP 244-305 | 1 | 9 | M3024492080 | CLAVETTE PARALLELE XP 244 | 1 |
| 7 | M5372072025 | SEEGERRING D 472J 72,0X2,5 | 1 | 10 | M5372090030 | ANNEAU SEEGER D 472J 90,0X3,0 | 1 |
| 8 | M4303505212 | SIMMERRING B1SL 35X 52X12 | 1 | 11 | M3024491040 | ROUE DENTEE XP 244-104 | 1 |
| 9 | M3024492080 | PASSFEDER XP 244 - 208 | 1 | 12 | M3024491050 | ARBRE DE PIGNON XP 244-105 | 1 |
| 10 | M5372090030 | SEEGERRING D 472J 90,0X3,0 | 1 | 13 | M3024493040 | DISQUE DE FERMETURE XP 244-304 | 1 |
| 11 | M3024491040 | ZAHNRAD XP 244-104 | 1 | 14 | M5385221405 | RESSORT D' AJUSTAGE D 6885B 22X14X50 | 1 |
| 12 | M3024491050 | RITZELWELLE XP 244-105 | 1 | 15 | M3024491060 | ROUE DENTEE XP 244-106 | 2 |
| 13 | M3024493040 | VERSCHLUSS-SCHEIBE XP 244-304 | 1 | 16 | M4308511013 | JOINT D' ARBRE 85X110X13 | 2 |
| 14 | M5385221405 | PASSFEDER D 6885B 22X14X50 | 1 | 17 | M5430060170 | ROULEMENT A BILLES A GORGE 6017 | 1 |
| 15 | M3024491060 | ZAHNRAD XP 244-106 | 2 | 18 | M3024491070 | ARBRE CREUX XP244-107 A+D | 1 |
| 16 | M4308511013 | SIMMERRING 85X110X 13 | 2 | 19 | M5372130040 | ANNEAU SEEGER D 472J 130,0X4,0 | 1 |
| 17 | M5430060170 | RILLEN-KUGELLAGER 6017 | 1 | 20 | M3024491090 | ANNEAU 07.160-0-4 XP 244-109 | 1 |
| 18 | M3024491070 | HOHLWELLE XP 244 A+D | 1 | 1 | M5430063060 | GROOVED BALL BEARING 6306 | 1 |
| 19 | M5372130040 | SEEGERRING D 472J 130,0X4,0 | 1 | 2 | M3024491030 | INPUT SHAFT XP 244A | 1 |
| 20 | M3024491090 | RING 07.160-0-4 XP 244-109 | 1 | 3 | M3024492070 | FEATHER A 8X7X70 | 1 |
| 1 | M5430063060 | ROULEMENT A BILLES RAINURE 6306 | 1 | 4 | M5430063081 | GROOVED BALL BEARING 6308 | 2 |
| 2 | M3024491030 | ARBRE REDUCTEUR XP 244A | 1 | 5 | M5420002071 | ROLLER BEARING | 1 |
| 3 | M3024492070 | RESSORT D' AJUSTAGE A 8X7X70 | 1 | 6 | M3024493050 | SUPPORTING DISK SS 35X45X2.5 XP 244.1 | 1 |

Ersatzteilliste, liste des pièces détachées, spare part list
H02 GETRIEBE / REDUCTEUR / GEARBOX
Type DC 260/54

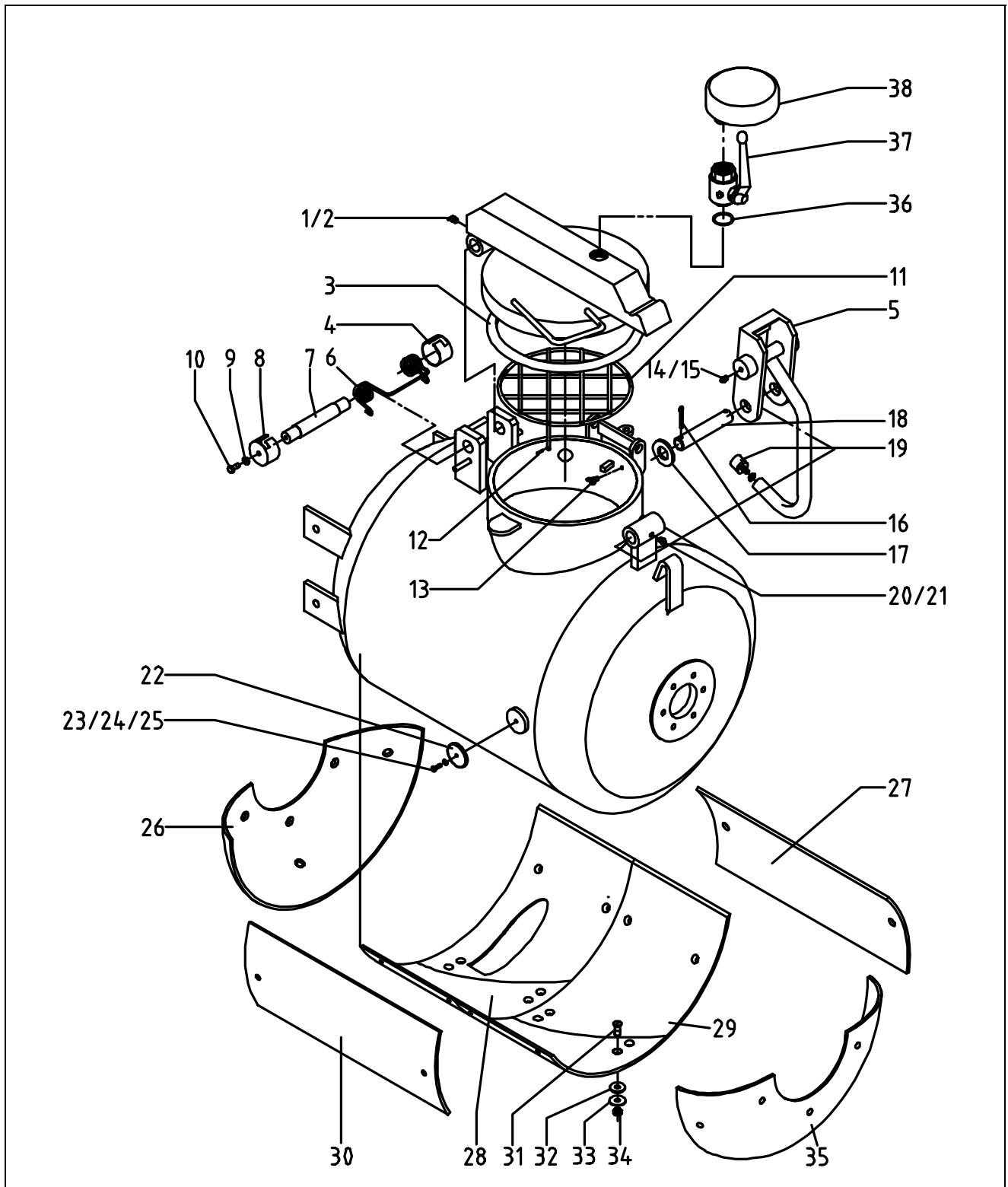


| POS | ART-NR | BEZEICHNUNG | ST | POS | ART-NR. | BEZEICHNUNG | ST |
|-----|--------------|--------------------------------------|-----|-----|--------------|-------------|-----|
| POS | NO.D'ARTICLE | DÉSIGNATION | QTÉ | POS | NO.D'ARTICLE | DÉSIGNATION | QTÉ |
| REF | ARTICLE NO | DESCRIPTION | QTY | REF | ARTICLE NO | DESCRIPTION | QTY |
| 7 | M5372072025 | SEEGER CIRCLIP RING D 472J 72,0X2,5 | 1 | | | | |
| 8 | M4303505212 | SEAL RING | 1 | | | | |
| 9 | M3024492080 | FEATHER XP 244 | 1 | | | | |
| 10 | M5372090030 | SEEGER CIRCLIP RING D 472J 90,0X3,0 | 1 | | | | |
| 11 | M3024491040 | GEARWHEEL XP 244-104 | 1 | | | | |
| 12 | M3024491050 | IDLING SHAFT XP 244-105 | 1 | | | | |
| 13 | M3024493040 | SEALING WASHER XP 244-304 | 1 | | | | |
| 14 | M5385221405 | FEATHER B 22X14X50 | 1 | | | | |
| 15 | M3024491060 | TOOTHED GEAR XP 244-106 | 2 | | | | |
| 16 | M4308511013 | SHAFT SEAL RING 85MM DIAM./110X13 | 2 | | | | |
| 17 | M5430060170 | GROOVED BALL BEARING 6017 | 1 | | | | |
| 18 | M3024491070 | SLEEVE SHAFT XP 244-107 A+D | 1 | | | | |
| 19 | M5372130040 | SEEGER CIRCLIP RING D 472J 130,0X4,0 | 1 | | | | |
| 20 | M3024491090 | RING 07.160-0-4 XP 244-109 | 1 | | | | |



BILD, DESSIN, PICTURE:54004.WMF

| POS | ART-NR | BEZEICHNUNG | ST | POS | ART-NR. | BEZEICHNUNG | ST |
|-----|--------------|--|-----|-----|--------------|---|-----|
| POS | NO.D'ARTICLE | DÉSIGNATION | QTÉ | POS | NO.D'ARTICLE | DÉSIGNATION | QTÉ |
| REF | ARTICLE NO | DESCRIPTION | QTY | REF | ARTICLE NO | DESCRIPTION | QTY |
| 1 | M5394050630 | SPLINT D 94 5,0X63 | 1 | 1 | M5394050630 | GOUPILLE D 94 5,0X63 | 1 |
| 2 | M5235240150 | KRONENMUTTER D 935 M 24X1,5 | 1 | 2 | M5235240150 | ECROU CRENELE D 935 M24X1,5 | 1 |
| 3 | M3024400000 | GETRIEBE XP 244 A | 1 | 3 | M3024400000 | REDUCTEUR XP 244 A | 1 |
| 4 | M5325310000 | U-SCHEIBE D 125 31,0 | 1 | 4 | M5325310000 | RONDELLE D 125 31,0 GALV. | 1 |
| 5 | M1800405110 | BUCHSE | 1 | 5 | M1800405110 | DOUILLE | 1 |
| 6 | M1800405040 | GETRIEBEBOLZEN | 1 | 6 | M1800405040 | BOULON A ENGRENAGE AVEC RONDELLE+ECROU CRENELE+GOUPILLE | 1 |
| 1 | M5394050630 | SPLIT-PIN D 94 5.0X63 | 1 | 1 | M5394050630 | SPLIT-PIN D 94 5.0X63 | 1 |
| 2 | M5235240150 | CASTEL NUT D 935 M24X1,5 | 1 | 2 | M5235240150 | CASTEL NUT D 935 M24X1,5 | 1 |
| 3 | M3024400000 | GEARING XP 244 A | 1 | 3 | M3024400000 | GEARING XP 244 A | 1 |
| 4 | M5325310000 | WASHER 31.0 DIN 125 GALV. | 1 | 4 | M5325310000 | WASHER 31.0 DIN 125 GALV. | 1 |
| 5 | M1800405110 | BUSH | 1 | 5 | M1800405110 | BUSH | 1 |
| 6 | M1800405040 | GEAR BOLT WITH WASHER+CASTEL NUT+SPLIT PIN | 1 | 6 | M1800405040 | GEAR BOLT WITH WASHER+CASTEL NUT+SPLIT PIN | 1 |

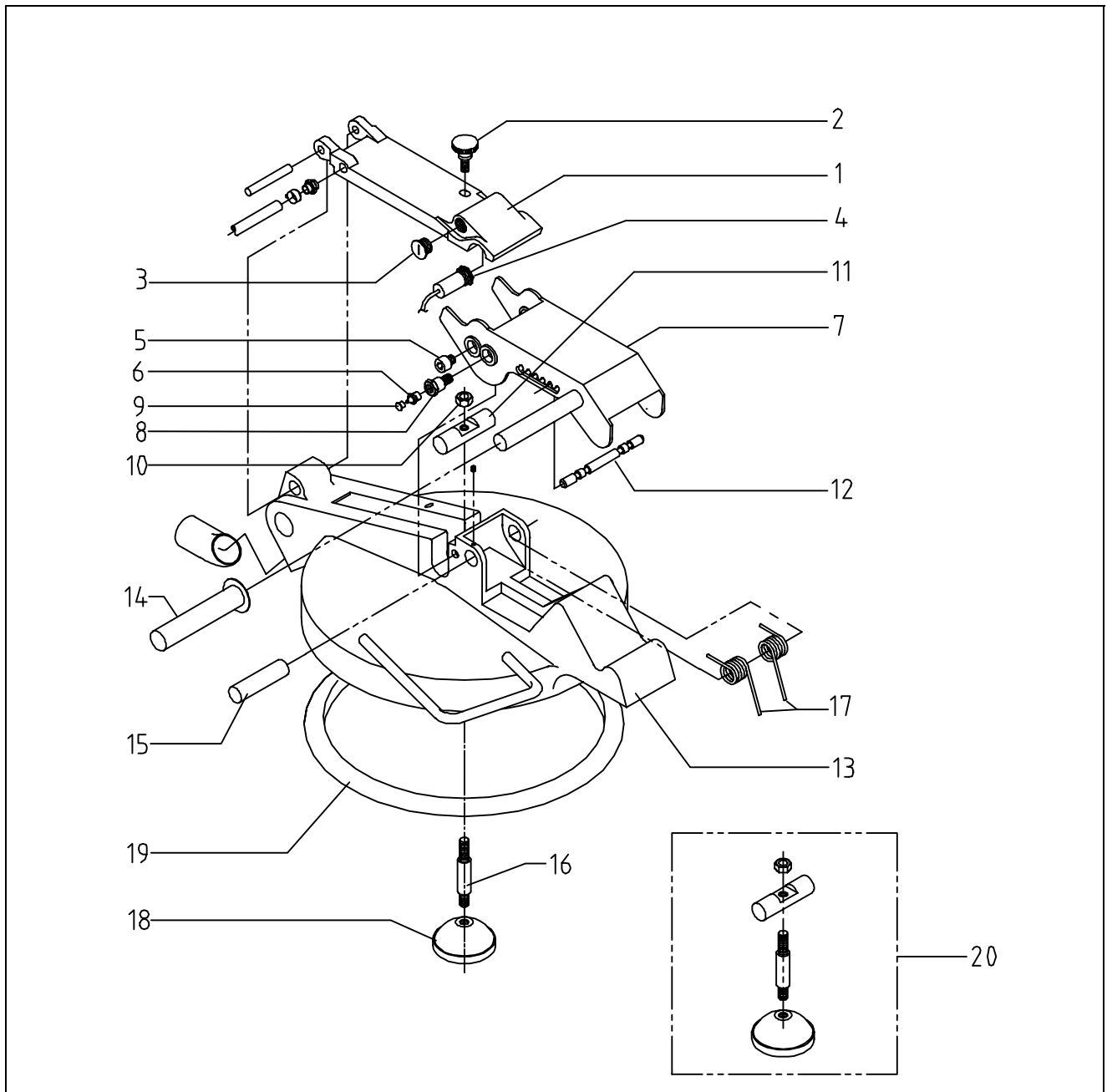


BILD, DESSIN, PICTURE: 43030.WMF

| POS | ART-NR | BEZEICHNUNG | ST | POS | ART-NR. | BEZEICHNUNG | ST |
|-----|--------------|--|-----|-----|--------------|--------------------------------|-----|
| POS | NO.D'ARTICLE | DÉSIGNATION | QTÉ | POS | NO.D'ARTICLE | DÉSIGNATION | QTÉ |
| REF | ARTICLE NO | DESCRIPTION | QTY | REF | ARTICLE NO | DESCRIPTION | QTY |
| 1 | M6034261010 | FETTNIPPEL H2 6KT M10X1,0 | 1 | 5 | M1401011270 | KNEBELVERSCHLUSS KPL. PL A1 | 1 |
| 2 | M6043013000 | FETTNIPPELKAPPE ROT | 1 | 6 | M1401011239 | DECKELFEDER FÜR STAHLGUßDECKEL | 1 |
| 3 | M4222103200 | DECKELDICHUNG FÜR MISCH-UND DRUCKBEHÄLTER | 1 | 7 | M1401011242 | BOLZEN FÜR DECKELFEDER | 1 |
| 4 | M1401011231 | SCHUTZKAPPE RECHTS | 1 | 8 | M1401011230 | SCHUTZKAPPE LINKS | 1 |
| | | | | 9 | M5327082002 | FEDERRING VERZ. D 127A 8,2 | 1 |



| POS | ART-NR | BEZEICHNUNG | ST | POS | ART-NR. | BEZEICHNUNG | ST |
|-----|--------------|---|-----|-----|--------------|---|-----|
| POS | NO.D'ARTICLE | DÉSIGNATION | QTÉ | POS | NO.D'ARTICLE | DÉSIGNATION | QTÉ |
| REF | ARTICLE NO | DESCRIPTION | QTY | REF | ARTICLE NO | DESCRIPTION | QTY |
| 10 | M5033080202 | SECHSKANTSCHRAUBE D 933 VERZ. M 8 X 20 | 1 | 29 | M1201050200 | TOLE D' USURE A 1/2 | 1 |
| 11 | L 1212080803 | SCHUTZGITTER HOHER DOM NEUE AUSFÜHRUNG; ENDE 1991 | 1 | 30 | M2000015181 | TOLE D' USURE | 1 |
| 12 | M5382040260 | SPANNHÜLSE DIN 7343 4X26 | 1 | 31 | M5063100302 | VIS D963-4,8 M 10X30 GALV. | 1 |
| 13 | M5016080352 | FLÜGELSCHRAUBE M 8X35 VERZINKT | 1 | 32 | M4240300083 | JOINT EN CAOUTCHOUC 30X8X3,0 | 1 |
| 14 | M6043013000 | FETTNIPPELKAPPE ROT | 1 | 33 | M5321105302 | RONDELLE DE SERRAGE D9021 10,5 | 1 |
| 15 | M6034261010 | FETTNIPPEL H2 6KT M10X1,0 | 1 | 34 | M5234100002 | ECROU M10 DIN 934 GALV. | 1 |
| 16 | M5394063502 | SPLINT D 94 6,3 X 50 VERZ. | 1 | 35 | M1201060100 | TOLE D' USURE | 1 |
| 17 | M5325310000 | U-SCHEIBE D 125 31,0 | 1 | 36 | M5303424920 | BAGUE CUIVRE 42X49X2,0 | 1 |
| 18 | M1401011273 | BOLZEN KPL. F.KNEBELVERSCHLUSS | 1 | 37 | M1800403203 | ROBINET DE RETENUE 1 1/4" | 1 |
| 19 | M4253083015 | GUMMIPUFFER "D" M8X20 D30 H15 | 1 | 38 | L 1924018311 | BOULET DE SOUPAPE CPL. POUR DECOMPRESSION MANUELLE DU COUVERCLE | 1 |
| 20 | M6034261010 | FETTNIPPEL H2 6KT M10X1,0 | 1 | 1 | M6034261010 | GREASE NIPPLE H2 HEX. M10X1 | 1 |
| 21 | M6043013000 | FETTNIPPELKAPPE ROT | 1 | 2 | M6043013000 | GREASE-NIPPLE CAP GPN1300A | 1 |
| 22 | M3120000862 | SEITENSTRAHLER 60 GELB R86 | 1 | 3 | M4222103200 | ROUND PROFILE RUBBER RING 1090X21 | 1 |
| 23 | M5033060202 | SECHSKANTSCHRAUBE M 6X 20 | 1 | 4 | M1401011231 | PROTECTION CAP FOR LID SPRING, RIGHT | 1 |
| 24 | M5325064002 | U-SCHEIBE 6,4 VERZ. | 1 | 5 | M1401011270 | CROSSBAR LOCKING DEVICE A1 | 1 |
| 25 | M5327061002 | FEDERRING D 127A 6,1 | 1 | 6 | M1401011239 | SPRING FOR LID | 1 |
| 26 | M1201060100 | V-BLECH-HALBSCHALE A+B | 1 | 7 | M1401011242 | LID PIN | 1 |
| 27 | M2000015181 | V-BLECH LÄNGS OHNE AUSLAUF | 1 | 8 | M1401011230 | PROTECTION CAP FOR LID SPRING, LEFT | 1 |
| 28 | M1201050210 | V-BLECH A1/2 MIT AUSLAUF 2-TEILIG | 1 | 9 | M5327082002 | SPRING RING D 127A 8.2 GALV. | 1 |
| 29 | M1201050200 | V-BLECH A1/2 OHNE AUSLAUF 2-TEILIG | 1 | 10 | M5033080202 | HEXAGON HEAD CAP SCREW, GALVANISED M8X20 | 1 |
| 30 | M2000015181 | V-BLECH LÄNGS OHNE AUSLAUF | 1 | 11 | L 1212080803 | PROTECTIVE GRATING | 1 |
| 31 | M5063100302 | SCHRAUBE D 963- 4,8 M 10X 30 VERZ. | 1 | 12 | M5382040260 | CLAMPING PIN DIN 7343 4X26 | 1 |
| 32 | M4240300083 | GUMMI-DICHTUNG V-BLECH 30X8X3,0 | 1 | 13 | M5016080352 | WING SCREW M8X35 D316 | 1 |
| 33 | M5321105302 | U-SCHEIBE D 9021 10,5 | 1 | 14 | M6043013000 | GREASE-NIPPLE CAP GPN1300A | 1 |
| 34 | M5234100002 | MUTTER D 934 M 10 | 1 | 15 | M6034261010 | GREASE NIPPLE H2 HEX. M10X1 | 1 |
| 35 | M1201060100 | V-BLECH-HALBSCHALE A+B | 1 | 16 | M5394063502 | SPLINT, GALV. 6.3 X 50 DIN 94 | 1 |
| 36 | M5303424920 | KUPFERRING 42X49X2,0 | 1 | 17 | M5325310000 | WASHER 31.0 DIN 125 GALV. | 1 |
| 37 | M1800403203 | KUGELHAHN FÜR DECKELENTLÜFTUNG | 1 | 18 | M1401011273 | BOLT 167X30 | 1 |
| 38 | L 1924018311 | PILZ KPL. FÜR DECKELENTLÜFTUNG | 1 | 19 | M4253083015 | RUBBER BUFFER D M8X20 D30 H15 | 1 |
| 1 | M6034261010 | GRAISSEUR H2 6KT M10X1,0 | 1 | 20 | M6034261010 | GREASE NIPPLE H2 HEX. M10X1 | 1 |
| 2 | M6043013000 | GRAISSEUR COIFFE GPN1300A | 1 | 21 | M6043013000 | GREASE-NIPPLE CAP GPN1300A | 1 |
| 3 | M4222103200 | JOINT DE COUVERCLE 1090X21 | 1 | 22 | M3120000862 | SIDE RADIATOR | 1 |
| 4 | M1401011231 | PROTECTEUR DE RESSORT DROITE | 1 | 23 | M5033060202 | HEXAGON HEAD CAP SCREW M 6X20 GALV. | 1 |
| 5 | M1401011270 | VERROU DE COUVERCLE A1 | 1 | 24 | M5325064002 | LOCKWASHER GALV. D 125 6.4 | 1 |
| 6 | M1401011239 | RESSORT POUR COUVERCLE | 1 | 25 | M5327061002 | SPRING RING | 1 |
| 7 | M1401011242 | BOULON | 1 | 26 | M1201060100 | WEARING PLATE | 1 |
| 8 | M1401011230 | PROTECTEUR DE RESSORT GAUCHE | 1 | 27 | M2000015181 | WEARING PLATE | 1 |
| 9 | M5327082002 | RONDELLE A RESSORT D 127A 8,2 GALV. | 1 | 28 | M1201050210 | V-PLATE WITH RUN-OUT, TWO-PART A1/2 | 1 |
| 10 | M5033080202 | BOULON A TETE HEXAGONALE, D933 M8X20GALV. | 1 | 29 | M1201050200 | V-PLATE WITHOUT RUN-OUT, TWO-PART A1/2 | 1 |
| 11 | L 1212080803 | GRILLE DE PROTECTION | 1 | 30 | M2000015181 | WEARING PLATE | 1 |
| 12 | M5382040260 | DOUILLE DE SERRAGE D 7343 4X26 | 1 | 31 | M5063100302 | SCREW D 963-4,8 M 10X30 GALVANISED | 1 |
| 13 | M5016080352 | VIS A AILETTES M 8X35 D316 | 1 | 32 | M4240300083 | RUBBER GASKET 30X8X3,0 | 1 |
| 14 | M6043013000 | GRAISSEUR COIFFE GPN1300A | 1 | 33 | M5321105302 | WASHER D 9021 10.5 GALV. | 1 |
| 15 | M6034261010 | GRAISSEUR H2 6KT M10X1,0 | 1 | 34 | M5234100002 | NUT, GALV. M10 | 1 |
| 16 | M5394063502 | CLAVETTE GALV. D 94 6,3 X 50 | 1 | 35 | M1201060100 | WEARING PLATE | 1 |
| 17 | M5325310000 | RONDELLE D 125 31,0 GALV. | 1 | 36 | M5303424920 | COPPER RING 42X49X2,0 | 1 |
| 18 | M1401011273 | BOULON | 1 | 37 | M1800403203 | BALL VALVE FOR LID, COMPL. 1 1/4" | 1 |
| 19 | M4253083015 | SILENT BLOC D M8X20 D30 H15 | 1 | 38 | L 1924018311 | CONICAL NIPPLE CPL. FOR MANUAL COVER VENTILATION | 1 |
| 20 | M6034261010 | GRAISSEUR H2 6KT M10X1,0 | 1 | | | | |
| 21 | M6043013000 | GRAISSEUR COIFFE GPN1300A | 1 | | | | |
| 22 | M3120000862 | PROJECTEUR LATERAL | 1 | | | | |
| 23 | M5033060202 | VIS A SIX PANS D933 M6X20 GALV. | 1 | | | | |
| 24 | M5325064002 | RONDELLE DE SERRAGE GALV. D 125 6,4 | 1 | | | | |
| 25 | M5327061002 | ANNEAU A RESSORT | 1 | | | | |
| 26 | M1201060100 | TOLE D' USURE | 1 | | | | |
| 27 | M2000015181 | TOLE D' USURE | 1 | | | | |
| 28 | M1201050210 | TOLE D' USURE A 1/2 | 1 | | | | |

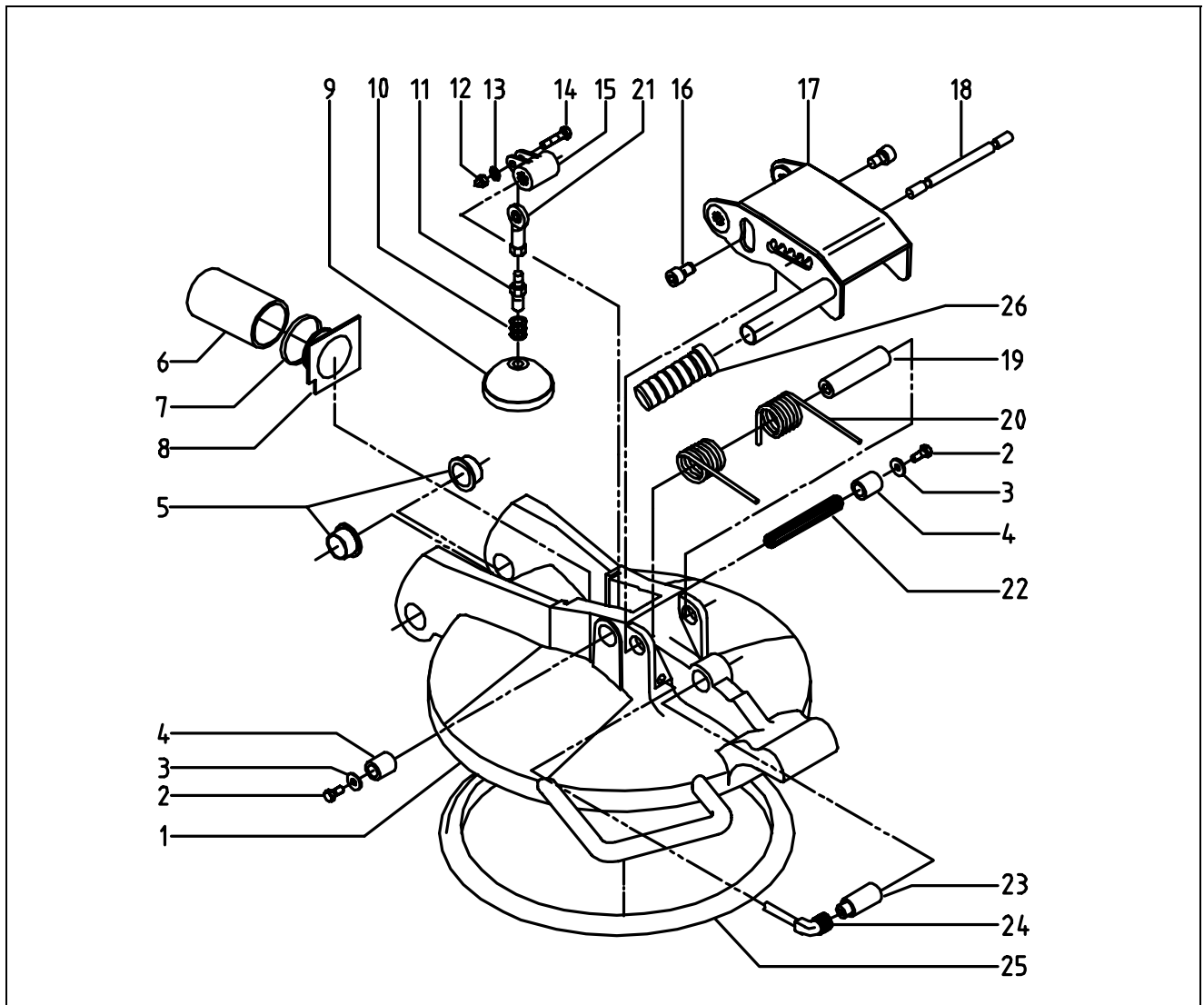


BILD, DESSIN, PICTURE: 43006.WMF

| POS | ART-NR | BEZEICHNUNG | ST | POS | ART-NR. | BEZEICHNUNG | ST |
|-----|--------------|--|-----|-----|--------------|--------------------------------|-----|
| POS | NO.D'ARTICLE | DÉSIGNATION | QTÉ | POS | NO.D'ARTICLE | DÉSIGNATION | QTÉ |
| REF | ARTICLE NO | DESCRIPTION | QTY | REF | ARTICLE NO | DESCRIPTION | QTY |
| 1 | M1805003520 | REINIGUNGSKLAPPE | 1 | 13 | M1805003510 | GUSSDECKEL BEARBEITET | 1 |
| 2 | M5206336420 | RÄNDELSCHRAUBE M8X20 VERZINKT | 1 | 14 | M3190051010 | GUMMIGRIFF | 1 |
| 3 | M3174021049 | VERSCHRAUB. BLINDSTOPFEN PG11 | 1 | 15 | M1805003550 | FEDERACHSE FÜR GUSSDECKEL | 1 |
| 4 | M3177110306 | SCHALTER F.STAHLGUß-DECKEL | 1 | 16 | M1805003542 | VENTILSTÖSSEL, VERTIKAL | 1 |
| 5 | M5012100160 | ZYLINDERSCHRAUBE M10X16 | 2 | 17 | M1805003560 | SCHENKELFEDER GUSSDECKEL | 2 |
| 6 | M6034161010 | FETTNIPPEL H1 6KT M10X1,0 | 2 | 18 | M1805003541 | VENTILDICHTKUGEL | 1 |
| 7 | M1805003530 | ENTLÜFTUNGSHEBEL / GUSSD. | 1 | 19 | M4222103200 | DECKELDICHTUNG/MISCH-U.DRUCKB. | 1 |
| 8 | M1805003620 | LAGERSCHRAUBE FUER ENTLUEFTUNGSHEBEL | 2 | 20 | M18050035400 | VENTILDICHTKUGEL-SATZ | 1 |
| 9 | M6043013000 | FETTNIPPEL-KAPPE GPN1300A | 2 | 1 | M1805003520 | PORTE DE NETTOYAGE | 1 |
| 10 | M5234100002 | MUTTER M 10 FLACH | 1 | 2 | M5206336420 | VIS MOLET | 1 |
| 11 | M1850035401 | VENTILSTÖSSEL, HORIZONTAL | 1 | 3 | M3174021049 | BOUCHON PG11 | 1 |
| 12 | M1805003640 | FEDERVERSTELLWELLE F.GUSSDECKELENTLÜFTUNG | 1 | 4 | M3177110306 | INTERRUPTEUR | 1 |
| | | | | 5 | M5012100160 | VIS A TETE CYLINDRIQUE | 1 |



| POS | ART-NR | BEZEICHNUNG | ST | POS | ART-NR. | BEZEICHNUNG | ST |
|-----|--------------|-------------------------------|-----|-----|--------------|-------------|-----|
| POS | NO.D'ARTICLE | DÉSIGNATION | QTÉ | POS | NO.D'ARTICLE | DÉSIGNATION | QTÉ |
| REF | ARTICLE NO | DESCRIPTION | QTY | REF | ARTICLE NO | DESCRIPTION | QTY |
| 6 | M6034161010 | GRAISSEUR H1 6KT M10X1,0 | 1 | | | | |
| 7 | M1805003530 | LEVIER DE DECHARGE | 1 | | | | |
| 8 | M1805003620 | VIS DE PALIER | 1 | | | | |
| 9 | M6043013000 | GRAISSEUR COIFFE GPN1300A | 1 | | | | |
| 10 | M5234100002 | ECROU 6 PANS M10 DIN 934 | 1 | | | | |
| 11 | M1850035401 | POUSSOIR DE SOUPAPE | 1 | | | | |
| 12 | M1805003640 | AJUSTAGE | 1 | | | | |
| 13 | M1805003510 | COUVERCLE EN ACIER | 1 | | | | |
| 14 | M3190051010 | MANETTE EN CAOUTCHOUC | 1 | | | | |
| 15 | M1805003550 | ESSIEU A RESSORT FREINE | 1 | | | | |
| 16 | M1805003542 | POUSSOIR DE SOUPAPE | 1 | | | | |
| 17 | M1805003560 | RESSORT | 1 | | | | |
| 18 | M1805003541 | BOULET DE SOUPAPE | 1 | | | | |
| 19 | M4222103200 | JOINT DE COUVERCLE | 1 | | | | |
| 1 | M1805003520 | CLEANSING HOLE | 1 | | | | |
| 2 | M5206336420 | KNURLED SCREW | 1 | | | | |
| 3 | M3174021049 | WELSH PLUG | 1 | | | | |
| 4 | M3177110306 | SWITCH | 1 | | | | |
| 5 | M5012100160 | CHEESE HEAD | 1 | | | | |
| 6 | M6034161010 | GREASE NIPPLE H1 HEX. M10X1.0 | 1 | | | | |
| 7 | M1805003530 | AIR RELIEF LEVER | 1 | | | | |
| 8 | M1805003620 | SCREW FOR BEARING | 1 | | | | |
| 9 | M6043013000 | GREASE-NIPPLE CAP GPN1300A | 1 | | | | |
| 10 | M5234100002 | NUT, GALV. M10 | 1 | | | | |
| 11 | M1850035401 | VALVE LIFTER | 1 | | | | |
| 12 | M1805003640 | ADJUSTMENT | 1 | | | | |
| 13 | M1805003510 | CAST IRON LID | 1 | | | | |
| 14 | M3190051010 | RUBBER GRIP | 1 | | | | |
| 15 | M1805003550 | SPRING AXLE | 1 | | | | |
| 16 | M1805003542 | VALVE LIFTER | 1 | | | | |
| 17 | M1805003560 | LEG SPRING | 1 | | | | |
| 18 | M1805003541 | VALVE SEAL BALL | 1 | | | | |
| 19 | M4222103200 | ROUND PROFILE RUBBER RING | 1 | | | | |



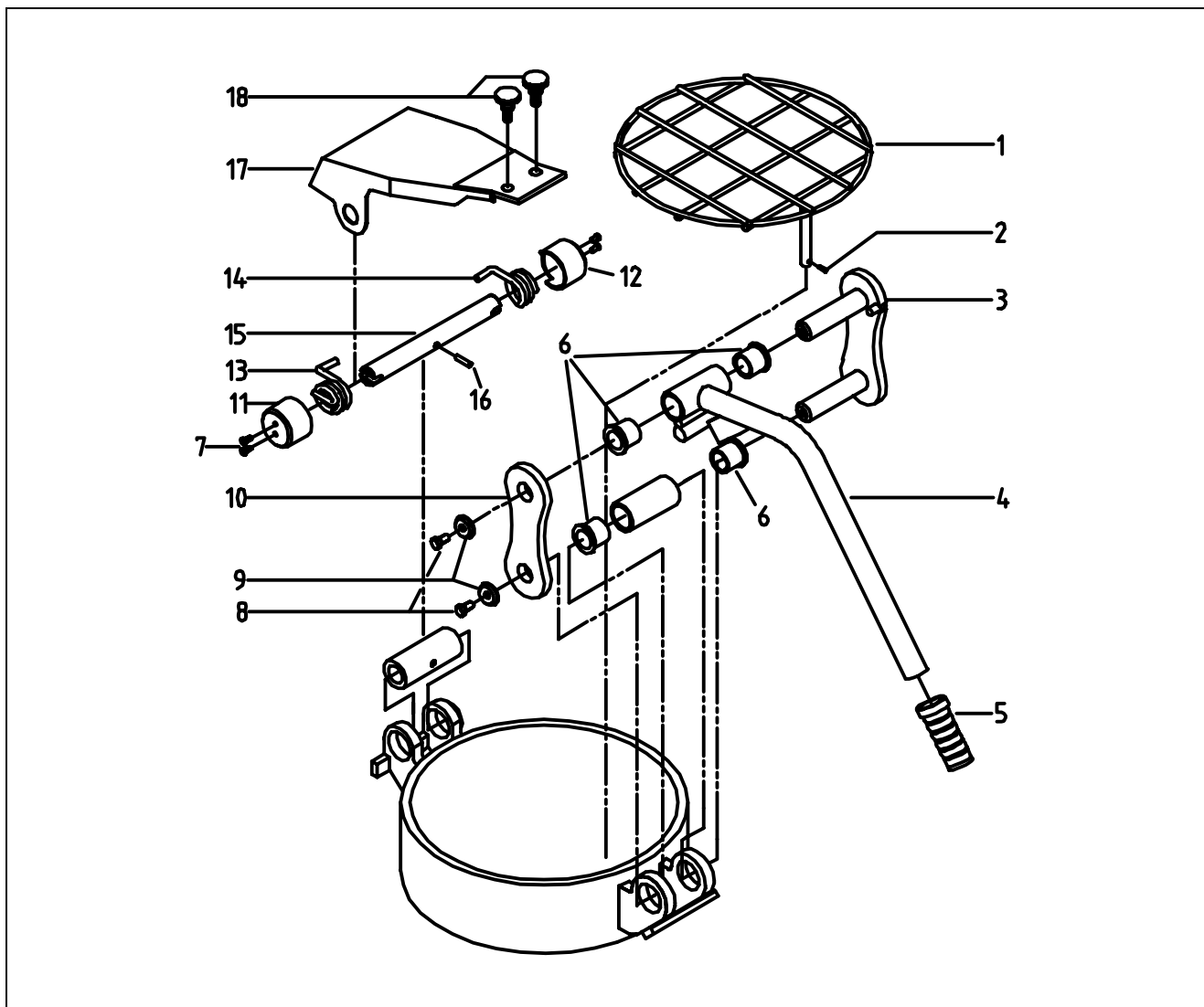
BILD, DESSIN, PICTURE: 43053.WMF

| POS | ART-NR. | BEZEICHNUNG | ST | POS | ART-NR. | BEZEICHNUNG | ST |
|-----|--------------|---|-----|-----|--------------|---|-----|
| POS | NO.D'ARTICLE | DÉSIGNATION | QTÉ | POS | NO.D'ARTICLE | DÉSIGNATION | QTÉ |
| REF | ARTICLE NO | DESCRIPTION | QTY | REF | ARTICLE NO | DESCRIPTION | QTY |
| 1 | M1805003394 | ..GUßDECKEL II, BEARBEITET | 1 | 18 | M1805003641 | ..FEDER VERSTELLWELLE FÜR GUßDECKEL II | 1 |
| 2 | M5033060162 | ..SCHRAUBE DIN933 M 6X 16 VERZ | 1 | 19 | M1805003551 | ..BOLZEN/SCHENKELFEDER F. GUßDECKEL II | 1 |
| 3 | M5321064202 | ..U-SCHEIBE DIN9021 6,4 | 1 | 20 | M1805003560 | ..SCHENKELFEDER F. GUSSDECKEL I U. II | 1 |
| 4 | M1801905106 | ..SINTERBRONZE-BUCHSE | 1 | 21 | M1805005195 | ..GELENKKOPF M8 IG | 1 |
| 5 | M1801905112 | ..GLEITLAGER, GUßDECKEL II LAGERUNG | 2 | 22 | M1801905102 | ..KEILWELLE 6X11X14MM, 100MM LG. FÜR GUßDECKEL II | 1 |
| 6 | M4215000000 | ..SCHLAUCH/ENTLÜFTUNG F. GUßDECKEL II | 1 | 23 | M3177110308 | ..NÄHERUNGSSCHALTER, GUßDECKEL II, OHNE KABEL | 1 |
| 7 | M3601394060 | ..SCHELLE 40-60/9 SI | 1 | 24 | M3177110309 | ..KABEL F. NÄHERUNGSSCHALTER GUßDECKEL II | 1 |
| 8 | M1805003395 | ..SCHLAUCHAUFNAHME F. GUßDECKEL II | 1 | 25 | M4222103200 | ..DECKELDICHUNG FÜR MISCH-UND DRUCKBEHÄLTER | 1 |
| 9 | M1805003541 | ..VENTILDICHTKUGEL AB 08/97 | 1 | 26 | M3190051010 | ..GUMMIGRIFF, SCHWARZ | 1 |
| 10 | M5388100161 | ..PASSSCHEIBE 10X16X1 | 1 | 1 | M1805003394 | ..COUVERCLE EN FONTE 2000 | 1 |
| 11 | M1805003538 | ..ADAPTER FÜR VENTILDICHTKUGEL / GUßDECKEL II | 1 | 2 | M5033060162 | ..VIS A SIX PANS M 6X16 GALV | 1 |
| 12 | M5286080000 | ..HUTMUTTER M8 VERZ., SELBSTSICHERND | 1 | 3 | M5321064202 | ..RONDELLE DE SERRAGE D 9021 6,4 | 1 |
| 13 | M5325084002 | ..U-SCHEIBE DIN125 8,4 VERZ | 1 | 4 | M1801905106 | ..PALIER | 1 |
| 14 | M5033080302 | ..SECHSKANTSCHRAUBE DIN933 M 8X 30 | 1 | 5 | M1801905112 | ..PALIER DE GLISSEMENT POUR COUVERCLE EN FONTE II | 2 |
| 15 | M1801905105 | ..VENTILHALTER FÜR GUßDECKEL II | 1 | | | | |
| 16 | M5012100160 | ..ZYLINDERSCHRAUBE M10X16 | 1 | | | | |
| 17 | M1805003531 | ..ENTLÜFTUNGSHEBEL FÜR GUßDECKEL II | 1 | | | | |



TYPE II

| <u>POS</u> | <u>ART-NR</u> | <u>BEZEICHNUNG</u> | <u>ST</u> | <u>POS</u> | <u>ART-NR.</u> | <u>BEZEICHNUNG</u> | <u>ST</u> |
|------------|---------------------|--|------------|------------|---------------------|---|------------|
| <u>POS</u> | <u>NO.D'ARTICLE</u> | <u>DÉSIGNATION</u> | <u>QTÉ</u> | <u>POS</u> | <u>NO.D'ARTICLE</u> | <u>DÉSIGNATION</u> | <u>QTÉ</u> |
| <u>REF</u> | <u>ARTICLE NO</u> | <u>DESCRIPTION</u> | <u>QTY</u> | <u>REF</u> | <u>ARTICLE NO</u> | <u>DESCRIPTION</u> | <u>QTY</u> |
| 6 | M4215000000 | TUYAU / DESAERAGE POUR COUVERCLE EN FONTE II | 1 | 23 | M3177110308 | PROXIMITY SWITCH, CAST IRON COVER II, WITHOUT CABLE | 1 |
| 7 | M3601394060 | COLLIER 40-60/9 | 1 | 24 | M3177110309 | CABLE FOR PROXIMITY SWITCH CAST IRON COVER II | 1 |
| 8 | M1805003395 | SUPPORT DE TUYAU POUR COUVERCLE EN FONTE II | 1 | 25 | M4222103200 | ROUND PROFILE RUBBER RING 1090X21 | 1 |
| 9 | M1805003541 | BOULET DE SOUPAPE A PARTIR DE 08/97 | 1 | 26 | M3190051010 | RUBBER GRIP, BLACK | 1 |
| 10 | M5388100161 | RONDELLE D'AJUSTAGE 10X16X1 | 1 | | | | |
| 11 | M1805003538 | ADAPTEUR POUR BOULET DE SOUPAPE POUR COUVERCLE EN FONTE II | 1 | | | | |
| 12 | M5286080000 | ECROU-CHAPEAU M8, GALV, ECROU SECURITE | 1 | | | | |
| 13 | M5325084002 | RONDELLE DE SERRAGE D 125 GALV | 1 | | | | |
| 14 | M5033080302 | VIS A SIX PANS M 8X30 GALV | 1 | | | | |
| 15 | M1801905105 | SUPPORT DE SOUPAPE POUR COUVERCLE EN FONTE II | 1 | | | | |
| 16 | M5012100160 | VIS A TETE CYLINDRIQUE M10X16 | 1 | | | | |
| 17 | M1805003531 | LEVIER DE DEGAGEMENT D'AIR POUR COUVERCLE EN FONTE II | 1 | | | | |
| 18 | M1805003641 | REGLAGE POUR COUVERCLE EN FONTE II | 1 | | | | |
| 19 | M1805003551 | BOULON/RESSORT POUR COUVERCLE EN FONTE II | 1 | | | | |
| 20 | M1805003560 | RESSORT POUR COUVERCLE EN FONTE II | 1 | | | | |
| 21 | M1805005195 | SUPPORT DE SOUPAPE M8 POUR COUVERCLE EN FONTE II | 1 | | | | |
| 23 | M3177110308 | DETECTEUR DE PROXIMITE, COUVERCLE EN FONTE II, SANS CABLE | 1 | | | | |
| 24 | M3177110309 | CABLE POUR DETECTEUR DE PROXIMITE POUR COUVERCLE EN FONTE II | 1 | | | | |
| 25 | M4222103200 | JOINT DE COUVERCLE 1090X21 | 1 | | | | |
| 26 | M3190051010 | MANETTE EN CAOUTCHOUC, NOIR | 1 | | | | |
| 1 | M1805003394 | CAST IRON COVER 2000 | 1 | | | | |
| 2 | M5033060162 | HEXAGON HEAD CAP SCREW M 6X16 GALV | 1 | | | | |
| 3 | M5321064202 | WASHER D 9021 6.4 | 1 | | | | |
| 4 | M1801905106 | SINTERED BRONZE BUSH FOR CAST IRON COVER II | 1 | | | | |
| 5 | M1801905112 | SLIDING BEARING FOR CAST IRON COVER II | 2 | | | | |
| 6 | M4215000000 | HOSE/AERATION FOR CAST IRON COVER II | 1 | | | | |
| 7 | M3601394060 | CLAMP 40-60/9 | 1 | | | | |
| 8 | M1805003395 | HOLDER FOR HOSE FOR CAST IRON COVER II | 1 | | | | |
| 9 | M1805003541 | VALVE SEAL BALL FROM 08/97 | 1 | | | | |
| 10 | M5388100161 | ADJUSTING WASHER 10X16X1 | 1 | | | | |
| 11 | M1805003538 | ADAPTER FOR VALVE SEAL BALL FOR CAST IRON COVER II | 1 | | | | |
| 12 | M5286080000 | CAP-NUT, M8, GALV. SELF-LOCKING | 1 | | | | |
| 13 | M5325084002 | PLAIN WASHER D 125 GALV | 1 | | | | |
| 14 | M5033080302 | HEXAGON HEAD CAP SCREW M 8X30 GALV | 1 | | | | |
| 15 | M1801905105 | HOLDER FOR VALVE FOR CAST IRON COVER | 1 | | | | |
| 16 | M5012100160 | CHEESE HEAD SCREW M10X16 | 1 | | | | |
| 17 | M1805003531 | AERATION LEVER FOR CAST IRON COVER II | 1 | | | | |
| 18 | M1805003641 | REGULATION FOR CAST IRON COVER II | 1 | | | | |
| 19 | M1805003551 | BOLT/LEG SPRING FOR CAST IRON COVER II | 1 | | | | |
| 20 | M1805003560 | LEG SPRING FOR CAST IRON COVER | 1 | | | | |
| 21 | M1805005195 | HOLDER FOR VALVE M8 FOR CAST IRON COVER II | 1 | | | | |



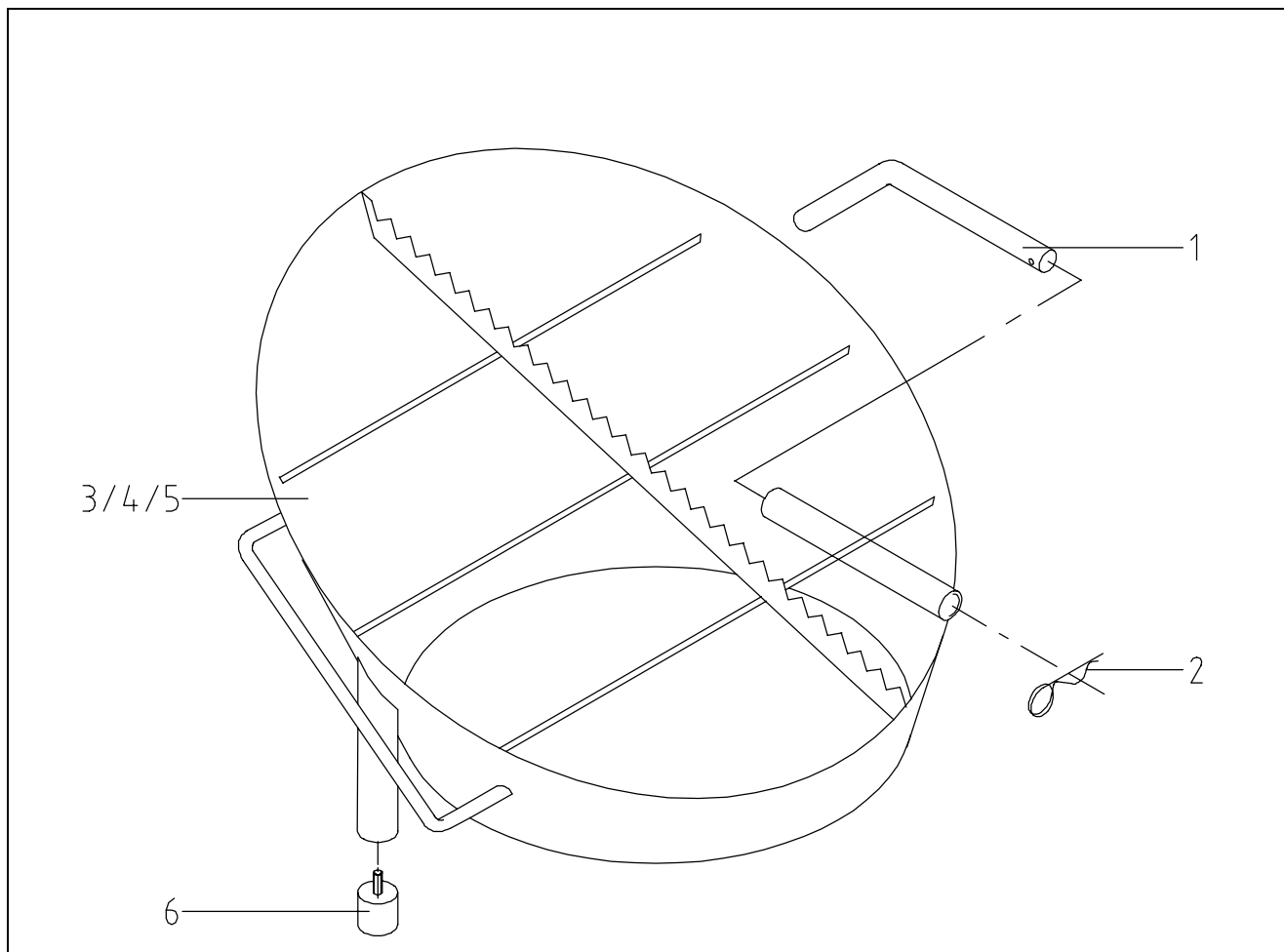
BILD, DESSIN, PICTURE: 43054.WMF

| POS | ART-NR | BEZEICHNUNG | ST | POS | ART-NR. | BEZEICHNUNG | ST |
|-----|--------------|---|-----|-----|--------------|---|-----|
| POS | NO.D'ARTICLE | DÉSIGNATION | QTÉ | POS | NO.D'ARTICLE | DÉSIGNATION | QTÉ |
| REF | ARTICLE NO | DESCRIPTION | QTY | REF | ARTICLE NO | DESCRIPTION | QTY |
| 1 | M1212080804 | DOMSIEB D=322MM, GUßDECKEL II, | 1 | 15 | M1401011238 | BOLZEN F. DECKELFEDER GUßDECKEL II | 1 |
| 2 | M5382040260 | SPANNHÜLSE DIN 7343 4X26 | 1 | 16 | M5381100400 | SCHWERSPANNSTIFT 40X10 | 1 |
| 3 | M1401011289 | KNEBELLASCHE KPL. MIT ZWEI ANGESCHWEIßTEN HEBELBOLZEN F. GUßDECKEL II | 1 | 17 | M1805003521 | REINIGUNGSKLAPPE F. GUßDECKEL II | 1 |
| 4 | M1401011285 | KNEBELVERSCHLUSS F. GUßDECKEL II .. | 1 | 18 | M5206336420 | RÄNDELSCHRAUBE M8X20 VERZ | 2 |
| 5 | M3190051011 | GUMMIGRIFF ID=28MM FÜR GUßDECKEL II, SCHWARZ | 1 | 19 | M1401011286 | BUCHSE FÜR KNEBELVERSCHLUSS GUßDECKEL II | 1 |
| 6 | M1801905110 | GLEITLAGER FÜR KNEBELVERSCHLUSS/ GUßDECKEL II | 4 | 20 | M1401011287 | BUCHSE F. DECKELBOLZEN/GUßDECKEL II | 1 |
| 7 | M5033050122 | SECHSKANTSCHRAUBE DIN933 M 5X 12 .. | 4 | 1 | M1212080804 | TAMIS DOME, COUVERCLE EN FONTE II .. | 1 |
| 8 | M5033080162 | SECHSKANTSCHRAUBE M 8X16 VERZ | 2 | 2 | M5382040260 | DOUILLE DE SERRAGE D 7343 4X26 | 1 |
| 9 | M5325084028 | U-SCHEIBE ID=9MM , AD=28MM | 2 | 3 | M1401011289 | ATTACHE A OREILLES CPL. POUR BOULON DE LEVIER SOUDEE POUR COUVERCLE EN FONTE II | 1 |
| 10 | M1401011288 | KNEBELLASCHE EINFACH, F. GUßDECKEL II | 1 | 4 | M1401011285 | FERMETURE RAPIDE POUR COUVERCLE EN FONTE II | 1 |
| 11 | M1401011233 | SCHUTZKAPPE/DECKELFEDER LINKS, GUßDECKEL II | 1 | 5 | M3190051011 | MANETTE EN CAOUTCHOUC POUR COUVERCLE EN FONTE II, NOIR | 1 |
| 12 | M1401011232 | SCHUTZKAPPE/DECKELFEDER RECHTS, GUßDECKEL II | 1 | 6 | M1801905110 | PALIER DE GLISSEMENT POUR FERMETURE RAPIDE, COUVERCLE EN FONTE II | 4 |
| 13 | M1401011237 | DECKELFEDER LINKS F. GUßDECKEL II, .. | 1 | 7 | M5033050122 | VIS A SIX PANS M 5X12, GALV | 4 |
| 14 | M1401011236 | DECKELFEDER RECHTS F. GUßDECKEL II, | 1 | | | | |



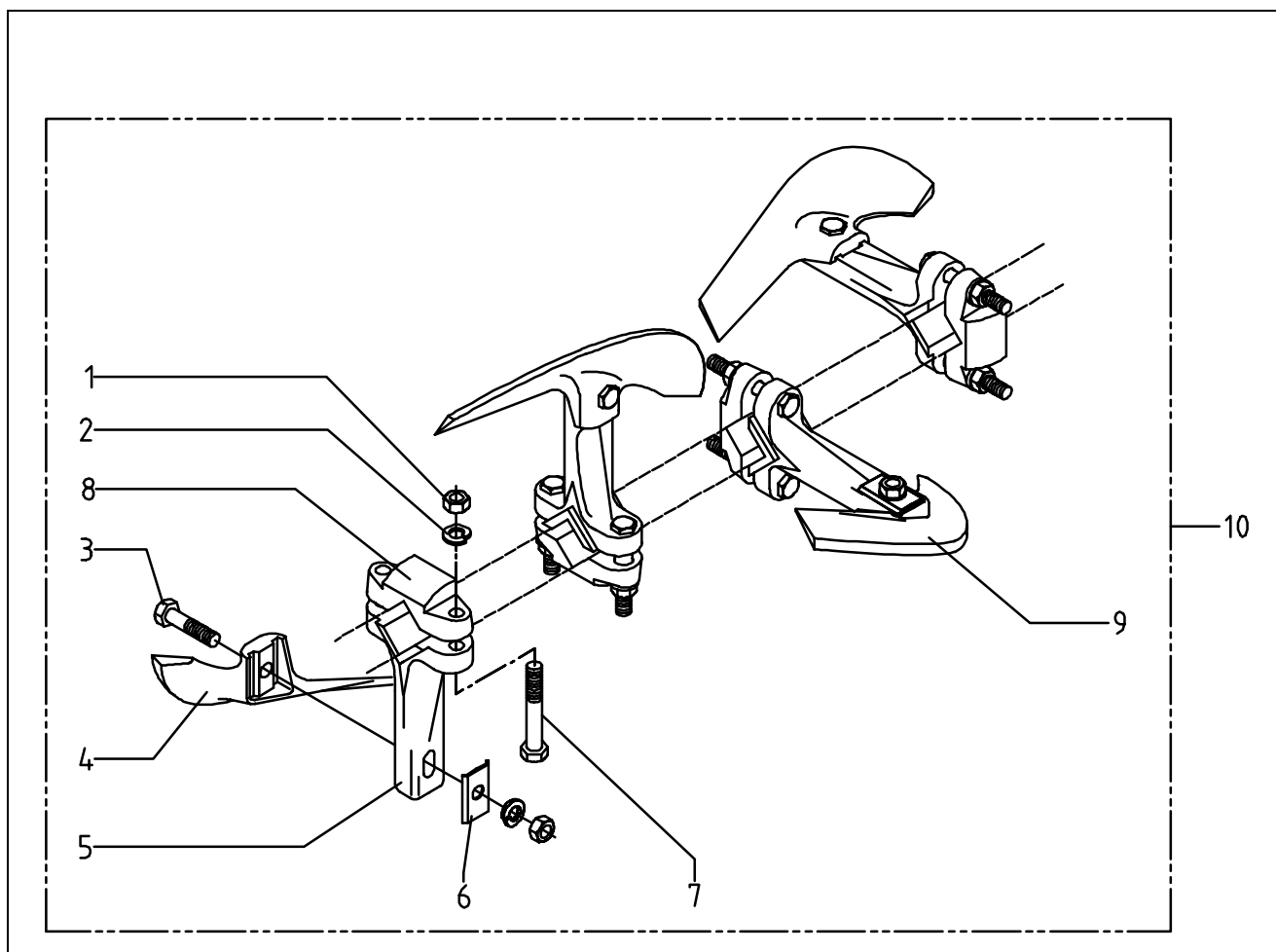
TYPE II

| <u>POS</u> | <u>ART-NR</u> | <u>BEZEICHNUNG</u> | <u>ST</u> | <u>POS</u> | <u>ART-NR.</u> | <u>BEZEICHNUNG</u> | <u>ST</u> |
|------------|---------------------|--|------------|------------|---------------------|--------------------|------------|
| <u>POS</u> | <u>NO.D'ARTICLE</u> | <u>DÉSIGNATION</u> | <u>QTÉ</u> | <u>POS</u> | <u>NO.D'ARTICLE</u> | <u>DÉSIGNATION</u> | <u>QTÉ</u> |
| <u>REF</u> | <u>ARTICLE NO</u> | <u>DESCRIPTION</u> | <u>QTY</u> | <u>REF</u> | <u>ARTICLE NO</u> | <u>DESCRIPTION</u> | <u>QTY</u> |
| 8 | M5033080162 | VIS A SIX PANS M 8X16, GALV. | 2 | | | | |
| 9 | M5325084028 | RONDELLE DE SERRAGE | 2 | | | | |
| 10 | M1401011288 | ATTACHE A OREILLES POUR COUVERCLE EN FONTE II | 1 | | | | |
| 11 | M1401011233 | COIFFE PROTECTRICE /RESSORT DE COUVERCLE GAUCHE, COUVERCLE EN FONTE II | 1 | | | | |
| 12 | M1401011232 | COIFFE PROTECTRICE/RESSORT DE COUVERCLE DROITE, COUVERCLE EN FONTE II | 1 | | | | |
| 13 | M1401011237 | RESSORT DE COUVERCLE, GAUCHE, POUR COUVERCLE EN FONTE II | 1 | | | | |
| 14 | M1401011236 | RESSORT DE COUVERCLE DROITE POUR COUVERCLE EN FONTE II | 1 | | | | |
| 15 | M1401011238 | BOULON POUR RESSORT DE COUVERCLE COUVERCLE EN FONTE II | 1 | | | | |
| 16 | M5381100400 | DOIGT D'ENTRAINEMENT 40X10 | 1 | | | | |
| 17 | M1805003521 | PORTE DE NETTOYAGE POUR COUVERCLE EN FONTE II | 1 | | | | |
| 18 | M5206336420 | VIS MOLET M 8X20 GALV. | 2 | | | | |
| 19 | M1401011286 | DOUILLE POUR FERMETURE RAPIDE COUVERCLE EN FONTE II | 1 | | | | |
| 20 | M1401011287 | DOUILLE POUR BOULON DE COUVERCLE/ COUVERCLE EN FONTE II | 1 | | | | |
| 1 | M1212080804 | DOME SIEVE 322 MM, CAST IRON COVER II | 1 | | | | |
| 2 | M5382040260 | CLAMPING PIN DIN 7343 4X26 | 1 | | | | |
| 3 | M1401011289 | TOGGLE BRACKET CPL. WITH WELDED LEVER BOLTS FOR CAST IRON COVER II | 1 | | | | |
| 4 | M1401011285 | QUICK LOCK FOR CAST IRON COVER II | 1 | | | | |
| 5 | M3190051011 | RUBBER HANDLE FOR CAST IRON COVER II, BLACK | 1 | | | | |
| 6 | M1801905110 | SLIDING BEARING FOR QUICK LOCK/ CAST IRON COVER II | 4 | | | | |
| 7 | M5033050122 | HEXAGON HEAD CAP SCREW M 5X12 GALV | 4 | | | | |
| 8 | M5033080162 | HEXAGON HEAD CAP SCREW M 8X16, GALV | 2 | | | | |
| 9 | M5325084028 | WASHER | 2 | | | | |
| 10 | M1401011288 | TOGGLE BRACKET, SIMPLE, FOR CAST IRON COVER II | 1 | | | | |
| 11 | M1401011233 | PROTECTING CAP/FEATHER FOR COVER, LEFT, CAST IRON COVER II | 1 | | | | |
| 12 | M1401011232 | PROTECTING CAP/FEATHER FOR COVER RIGHT, CAST IRON COVER II | 1 | | | | |
| 13 | M1401011237 | FEATHER FOR COVER, LEFT, FOR CAST IRON COVER II | 1 | | | | |
| 14 | M1401011236 | FEATHER FOR COVER RIGHT FOR CAST IRON COVER II | 1 | | | | |
| 15 | M1401011238 | BOLT FOR FEATHER FOR COVER CAST IRON COVER II | 1 | | | | |
| 16 | M5381100400 | ROLL PIN 40X10 | 1 | | | | |
| 17 | M1805003521 | CLEANING FLAP FOR CAST IRON COVER II | 1 | | | | |
| 18 | M5206336420 | KNURLED SCREW M 8X20 GALV. | 2 | | | | |
| 19 | M1401011286 | BUSHING FOR QUICK LOCK CAST IRON COVER II | 1 | | | | |
| 20 | M1401011287 | BUSHING FOR COVER BOLT/CAST IRON COVER II | 1 | | | | |



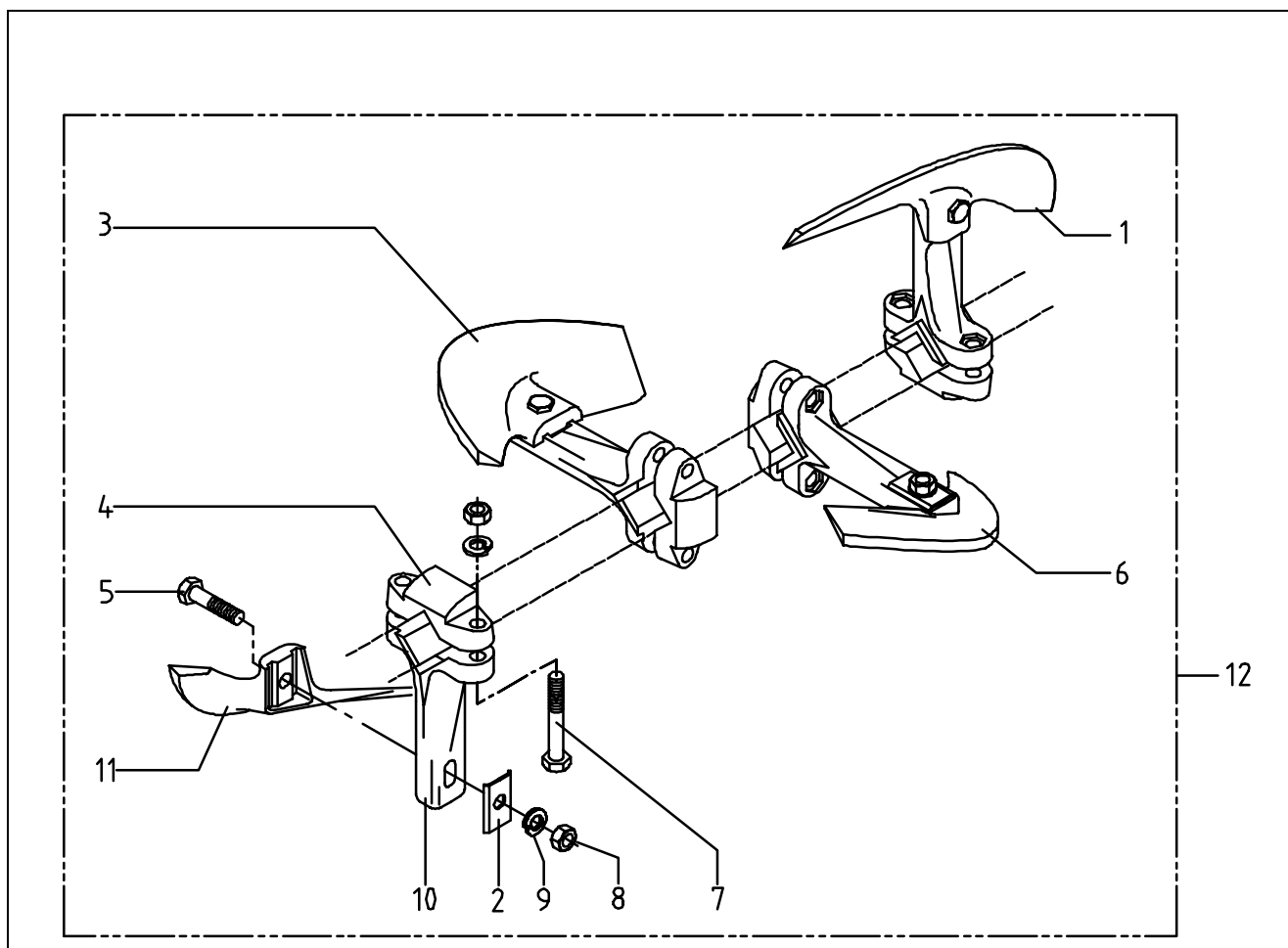
BILD, DESSIN, PICTURE: 43014.WMF

| POS | ART-NR | BEZEICHNUNG | ST | POS | ART-NR. | BEZEICHNUNG | ST |
|-----|--------------|-----------------------------------|-----|-----|--------------|-----------------------------------|-----|
| POS | NO.D'ARTICLE | DÉSIGNATION | QTÉ | POS | NO.D'ARTICLE | DÉSIGNATION | QTÉ |
| REF | ARTICLE NO | DESCRIPTION | QTY | REF | ARTICLE NO | DESCRIPTION | QTY |
| 1 | M1901204302 | STECKACHSE EB 340X20 KURZ | 1 | 1 | M1901204302 | AXE ENTONNOIR 340X20 | 1 |
| 2 | M5399000502 | FEDERSTECKER VERZINKT 5,0 | 1 | 2 | M5399000502 | GOUPILLE | 1 |
| 3 | L 1923011046 | EINFUELLTRICHTER RECHTS KURZ A1 | 1 | 3 | L 1923011046 | ENTONNOIR, DROITE 10/40 A1 | 1 |
| 4 | L 1923011044 | EINFUELLTRICHTER HINTEN KURZ A2 | 1 | 4 | L 1923011044 | ENTONNOIR, ARRIERE A2 | 1 |
| 5 | L 1923011045 | EINFUELLTRICHTER LINKS KURZ A3 | 1 | 5 | L 1923011045 | ENTONNOIR, GAUCHE A3 | 1 |
| 6 | M4253083020 | GUMMI-PUFFER M8 | 1 | 6 | M4253083020 | ARMORTISSEUR DE CAOUTCHOUC M8 | 1 |
| 1 | M1901204302 | FILLING FUNNEL INSERT AXLE 20X340 | 1 | 1 | M1901204302 | FILLING FUNNEL INSERT AXLE 20X340 | 1 |
| 2 | M5399000502 | SPRING PLUG GALV. | 1 | 2 | M5399000502 | SPRING PLUG GALV. | 1 |
| 3 | L 1923011046 | FILLING FUNNEL RIGHT 10/40 A1 | 1 | 3 | L 1923011046 | FILLING FUNNEL RIGHT 10/40 A1 | 1 |
| 4 | L 1923011044 | FILLING FUNNEL, 10/40 A2 | 1 | 4 | L 1923011044 | FILLING FUNNEL, 10/40 A2 | 1 |
| 5 | L 1923011045 | FILLING FUNNEL LEFT A3 | 1 | 5 | L 1923011045 | FILLING FUNNEL LEFT A3 | 1 |
| 6 | M4253083020 | RUBBER PUFFER M8 | 1 | 6 | M4253083020 | RUBBER PUFFER M8 | 1 |



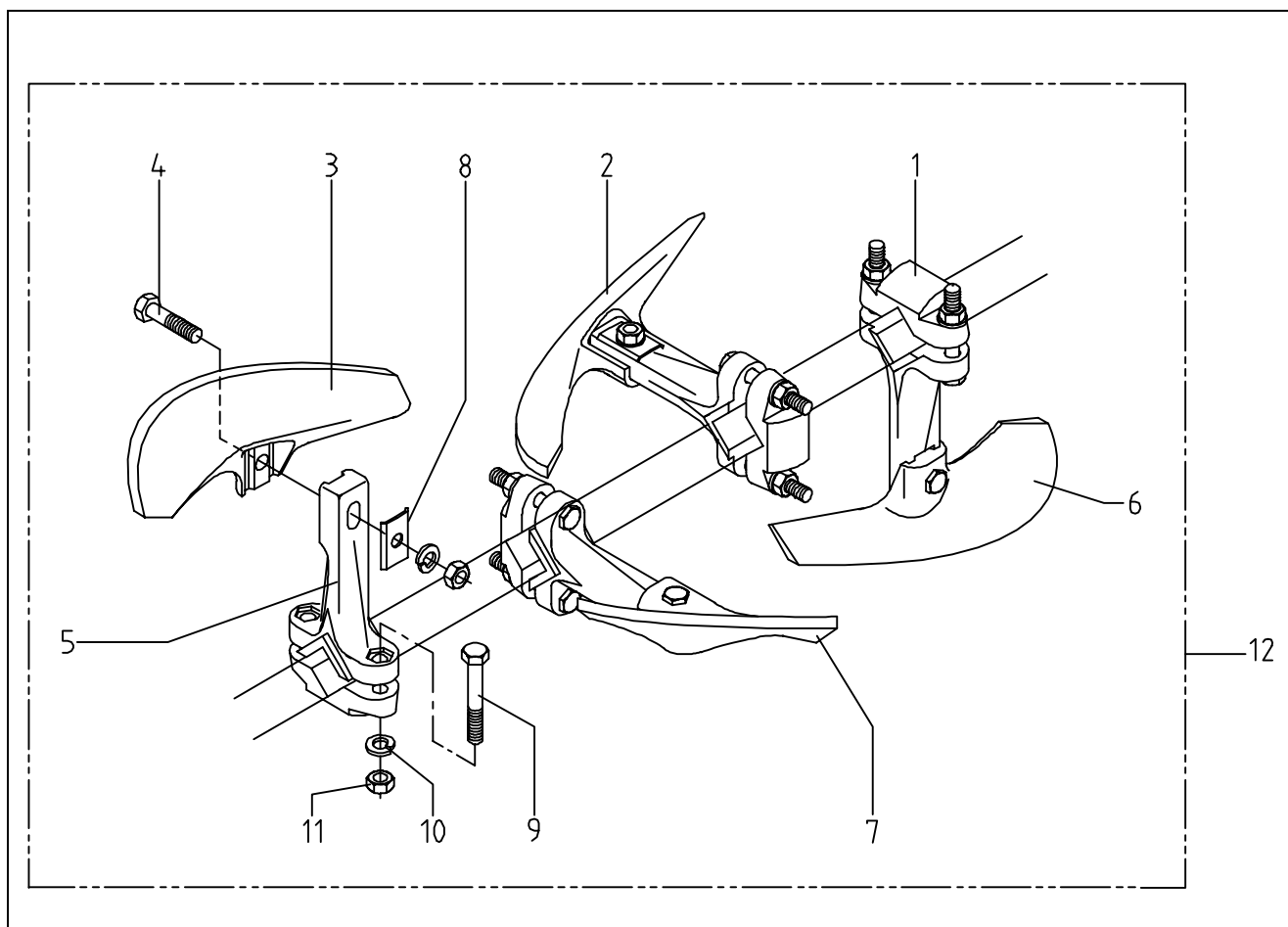
BILD, DESSIN, PICTURE:43032.WMF

| POS | ART-NR. | BEZEICHNUNG | ST | POS | ART-NR. | BEZEICHNUNG | ST |
|-----|--------------|--|-----|-----|--------------|---|-----|
| POS | NO.D'ARTICLE | DÉSIGNATION | QTÉ | POS | NO.D'ARTICLE | DÉSIGNATION | QTÉ |
| REF | ARTICLE NO | DESCRIPTION | QTY | REF | ARTICLE NO | DESCRIPTION | QTY |
| 1 | M5234160002 | MUTTER M16 D 934-8 VERZ. | 1 | 1 | M5234160002 | ..NUT D 934-8 M16 GALV. | 1 |
| 2 | M5327162000 | FEDERRING D 127A 16,2 | 1 | 2 | M5327162000 | ..SPRING WASHER 16.2 D 127A | 1 |
| 3 | M5031160702 | SECHSKANTSCHRAUBE M16X70 | 1 | 3 | M5031160702 | ..HEXAGON BOLT M16X70 | 1 |
| 4 | M7210001000 | MISCHFLÜGEL B 1 05/96 | 1 | 4 | M7210001000 | ..MIXING PADDLE B1 - TYPE 96 | 1 |
| 5 | M7200005400 | KLEMMSTÜCK BK 54 05/96 | 1 | 5 | M7200005400 | ..CLAMPING PIECE BK 54 - TYPE 96 | 1 |
| 6 | M7240035060 | ABDECKPLATTE 3X50X60 MM | 1 | 6 | M7240035060 | ..COVERING PLATE 3X50X60 MM | 1 |
| 7 | M5031161100 | KLEMMSTÜCKSCHRAUBE M16X110 | 1 | 7 | M5031161100 | ..HEXAGON BOLT M16X110 D 931 8.8 | 1 |
| 8 | M7200001000 | KLEMMSTÜCK B 01 | 1 | 8 | M7200001000 | ..CLAMPING PIECE B 01 | 1 |
| 9 | M7210003000 | MISCHFLÜGEL B 3 05/96 | 3 | 9 | M7210003000 | ..MIXING PADDLE B3 - TYPE 96 | 1 |
| 10 | L 81010000 | MISCHWERK KOMPLETT MIT SCHRAUBENFÜER SEITENABGANG VORNE | 1 | 10 | L 81010000 | ..MIXING MECHANISM CPL. WITH SCREWSFOR LATERAL CONVEYING | 1 |
| 1 | M5234160002 | ECROU D 934-8 M16 GALV | 1 | | | | |
| 2 | M5327162000 | RONDELLE A RESSORT 16.2 D 127A | 1 | | | | |
| 3 | M5031160702 | BOULON A TETE HEXAGONALE M16X70 | 1 | | | | |
| 4 | M7210001000 | PALE DE MALAXAGE B1 - MODELE 96 | 1 | | | | |
| 5 | M7200005400 | MACHOIRE BK 54 - MODELE 96 | 1 | | | | |
| 6 | M7240035060 | PLAQUE DE RECOUVREMENT 3X50X60 MM | 1 | | | | |
| 7 | M5031161100 | BOULON A TETE HEXAGONALE M16X110 D 931-8,8 | 1 | | | | |
| 8 | M7200001000 | MACHOIRE B 01 | 1 | | | | |
| 9 | M7210003000 | PALE DE MALAXAGE B3 - MODELE 96 | 1 | | | | |
| 10 | L 81010000 | MELANGEUR CPL. AVEC VIS POUR TRANSPORT LATERAL | 1 | | | | |



BILD, DESSIN, PICTURE: 43033.WMF

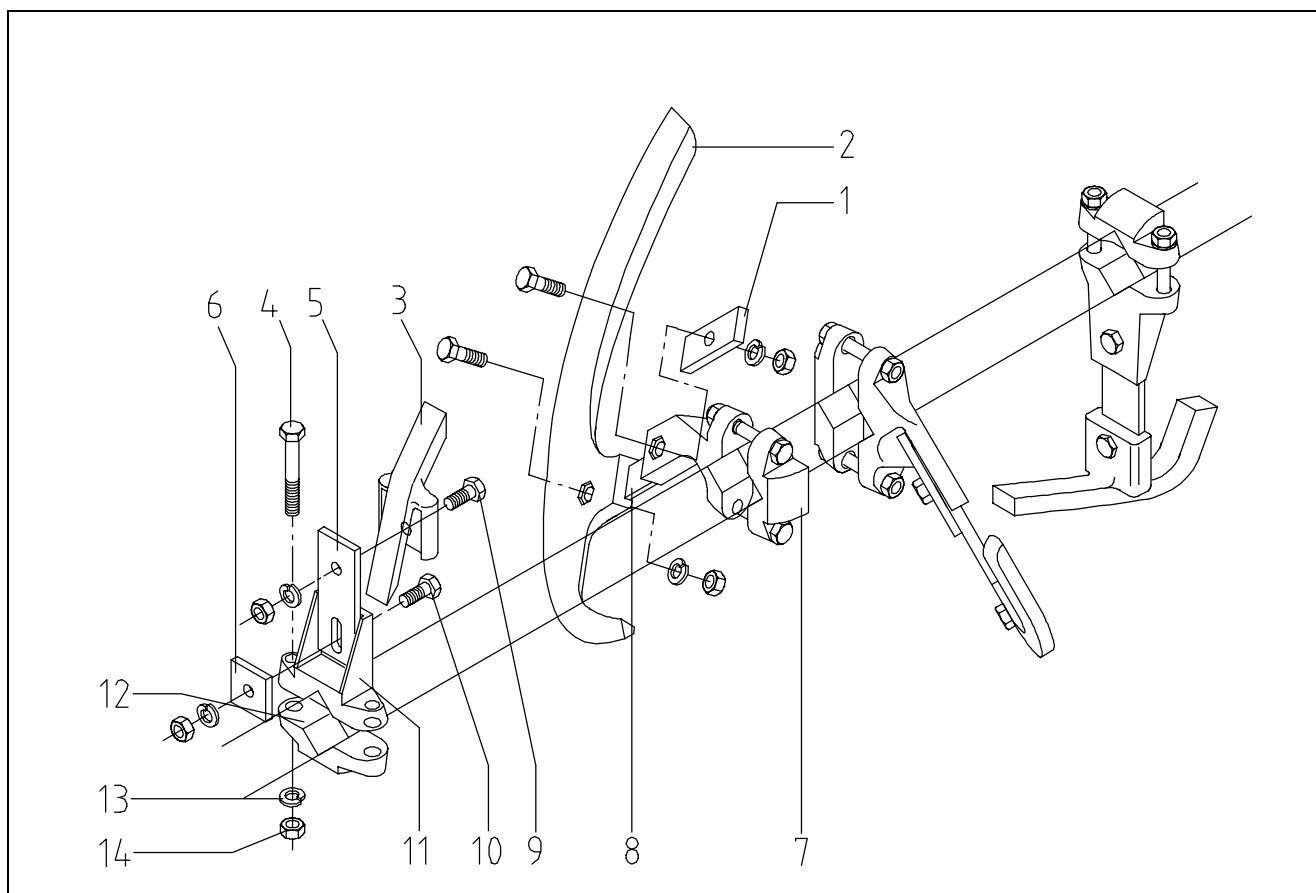
| POS | ART-NR | BEZEICHNUNG | ST | POS | ART-NR. | BEZEICHNUNG | ST |
|-----|--------------|--|-----|-----|--------------|---|-----|
| POS | NO.D'ARTICLE | DESIGNATION | QTE | POS | NO.D'ARTICLE | DESIGNATION | QTE |
| REF | ARTICLE NO | DESCRIPTION | QTY | REF | ARTICLE NO | DESCRIPTION | QTY |
| 1 | M7210003000 | MISCHFLÜGEL B 3 05/96 | 1 | 11 | M7210001000 | PALE DE MALAXAGE B1- MODELE 96 | 1 |
| 2 | M7240035060 | ABDECKPLATTE 3X50X60 MM | 1 | 12 | L 81010010 | MELANGEUR CPL. AVEC VIS POUR TRANSPORT CENTRAL | 1 |
| 3 | M7210001000 | MISCHFLÜGEL B 1 05/96 | 2 | 1 | M7210003000 | MIXING PADDLE B3 - TYPE 96 | 1 |
| 4 | M7200001000 | KLEMMSTÜCK B 01 | 2 | 2 | M7240035060 | COVERING PLATE 3X50X60 MM | 1 |
| 5 | M5031160702 | SECHSKANTSCHRAUBE M16X70 | 1 | 3 | M7210001000 | MIXING PADDLE B1 - TYPE 96 | 2 |
| 6 | M7210003000 | MISCHFLÜGEL B 3 05/96 | 1 | 4 | M7200001000 | CLAMPING PIECE B 01 | 2 |
| 7 | M5031161100 | KLEMMSTÜCKSCHRAUBE M16X110 | 1 | 5 | M5031160702 | HEXAGON BOLT M16X70 | 1 |
| 8 | M5234160002 | MUTTER M16 D 934-8 VERZ. | 1 | 6 | M7210003000 | MIXING PADDLE B3 - TYPE 96 | 1 |
| 9 | M5327162000 | FEDERRING D 127A 16,2 | 1 | 7 | M5031161100 | HEXAGON BOLT M16X110 D 931 8.8 | 1 |
| 10 | M7200001000 | KLEMMSTÜCK B 01 | 1 | 8 | M5234160002 | NUT D 934-8 M16 GALV. | 1 |
| 11 | M7210001000 | MISCHFLÜGEL B 1 05/96 | 1 | 9 | M5327162000 | SPRING WASHER 16.2 D 127A | 1 |
| 12 | L 81010010 | MISCHWERK, KPL. MIT SCHRAUBEN FÜR MITTENABGANG | 1 | 10 | M7200001000 | CLAMPING PIECE B 01 | 1 |
| 1 | M7210003000 | PALE DE MALAXAGE B3 - MODELE 96 | 1 | 11 | M7210001000 | MIXING PADDLE B1 - TYPE 96 | 1 |
| 2 | M7240035060 | PLAQUE DE RECOUVREMENT 3X50X60 MM | 1 | 12 | L 81010010 | MIXING MECHANISM CPL. WITH SCREWS FOR CENTRAL CONVEYING | 1 |
| 3 | M7210001000 | PALE DE MALAXAGE B1- MODELE 96 | 2 | | | | |
| 4 | M7200001000 | MACHOIRE B 01 | 2 | | | | |
| 5 | M5031160702 | BOULON A TETE HEXAGONALE M16X70 | 1 | | | | |
| 6 | M7210003000 | PALE DE MALAXAGE B3 - MODELE 96 | 1 | | | | |
| 7 | M5031161100 | BOULON A TETE HEXAGONALE M16X110 D 931-8,8 | 1 | | | | |
| 8 | M5234160002 | ECROU D 934-8 M16 GALV. | 1 | | | | |
| 9 | M5327162000 | RONDELLE A RESSORT 16.2 D 127A | 1 | | | | |
| 10 | M7200001000 | MACHOIRE B 01 | 1 | | | | |



BILD, DESSIN, PICTURE: 43034.WMF

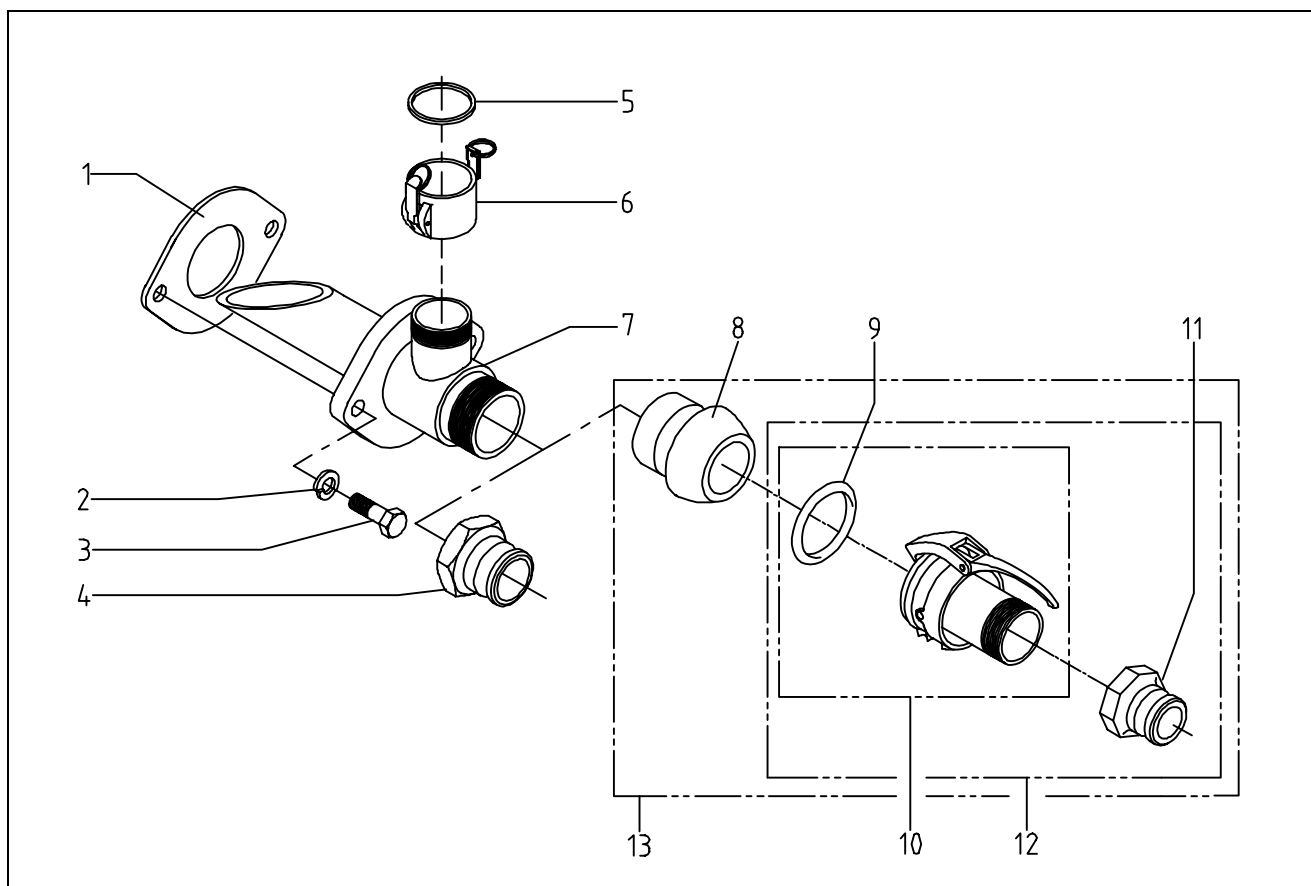
| POS | ART-NR | BEZEICHNUNG | ST | POS | ART-NR. | BEZEICHNUNG | ST |
|-----|--------------|--|-----|-----|--------------|--|-----|
| POS | NO.D'ARTICLE | DÉSIGNATION | QTÉ | POS | NO.D'ARTICLE | DÉSIGNATION | QTÉ |
| REF | ARTICLE NO | DESCRIPTION | QTY | REF | ARTICLE NO | DESCRIPTION | QTY |
| 1 | M7200001000 | KLEMMSTÜCK B 01 | 1 | 12 | L 81010000 | MELANGEUR CPL. AVEC VIS POUR TRANSPORT LATERAL | 1 |
| 2 | M7210003000 | MISCHFLÜGEL B 3 05/96 | 1 | 1 | M7200001000 | CLAMPING PIECE B 01 | 1 |
| 3 | M7210003000 | MISCHFLÜGEL B 3 05/96 | 1 | 2 | M7200003000 | CLAMPING PIECE B 03 | 1 |
| 4 | M5031160702 | SECHSKANTSCHRAUBE M16X70 | 1 | 3 | M7210003000 | MIXING PADDLE B3 - TYPE 96 | 1 |
| 5 | M7200005400 | KLEMMSTÜCK BK 54 05/96 | 1 | 4 | M5031160702 | HEXAGON BOLT M16X70 | 1 |
| 6 | M7210001000 | MISCHFLÜGEL B 1 05/96 | 1 | 5 | M7200005400 | CLAMPING PIECE BK 54 - TYPE 96 | 1 |
| 7 | M7210003000 | MISCHFLÜGEL B 3 05/96 | 1 | 6 | M7210001000 | MIXING PADDLE B1 - TYPE 96 | 1 |
| 8 | M7240035060 | ABDECKPLATTE 3X50X60 MM | 1 | 7 | M7210003000 | MIXING PADDLE B3 - TYPE 96 | 1 |
| 9 | M5031161100 | KLEMMSTÜCKSCHRAUBE M16X110 | 1 | 8 | M7240035060 | COVERING PLATE 3X50X60 MM | 1 |
| 10 | M5327162000 | FEDERRING D 127A 16,2 | 1 | 9 | M5031161100 | HEXAGON BOLT M16X110 D 931 8.8 | 1 |
| 11 | M5234160002 | MUTTER M16 D 934-8 VERZ. | 1 | 10 | M5327162000 | SPRING WASHER 16.2 D 127A | 1 |
| 12 | L 81010000 | MISCHWERK KOMPLETT MIT SCHRAUBENFÜR SEITENABGANG VORNE | 1 | 11 | M5234160002 | NUT D 934-8 M16 GALV. | 1 |
| 1 | M7200001000 | MACHOIRE B 01 | 1 | 12 | L 81010000 | MIXING MECHANISM CPL. WITH SCREWSFOR LATERAL CONVEYING | 1 |
| 2 | M7200003000 | MACHOIRE B 03 | 1 | | | | |
| 3 | M7210003000 | PALE DE MALAXAGE B3 - MODELE 96 | 1 | | | | |
| 4 | M5031160702 | BOULON A TETE HEXAGONALE M16X70 | 1 | | | | |
| 5 | M7200005400 | MACHOIRE BK 54 - MODELE 96 | 1 | | | | |
| 6 | M7210001000 | PALE DE MALAXAGE B1- MODELE 96 | 1 | | | | |
| 7 | M7210003000 | PALE DE MALAXAGE B3 - MODELE 96 | 1 | | | | |
| 8 | M7240035060 | PLAQUE DE RECOUVREMENT 3X50X60 MM | 1 | | | | |
| 9 | M5031161100 | BOULON A TETE HEXAGONALE M16X110 D 931-8,8 | 1 | | | | |
| 10 | M5327162000 | RONDELLE A RESSORT 16.2 D 127A | 1 | | | | |
| 11 | M5234160002 | ECROU D 934-8 M16 GALV | 1 | | | | |

Ersatzteilliste, liste des pièces détachées, spare part list
H03 MISCHWERK / SYSTEME DE MALAXAGE /
MIXING MECHANISM
TYPE Modell 80



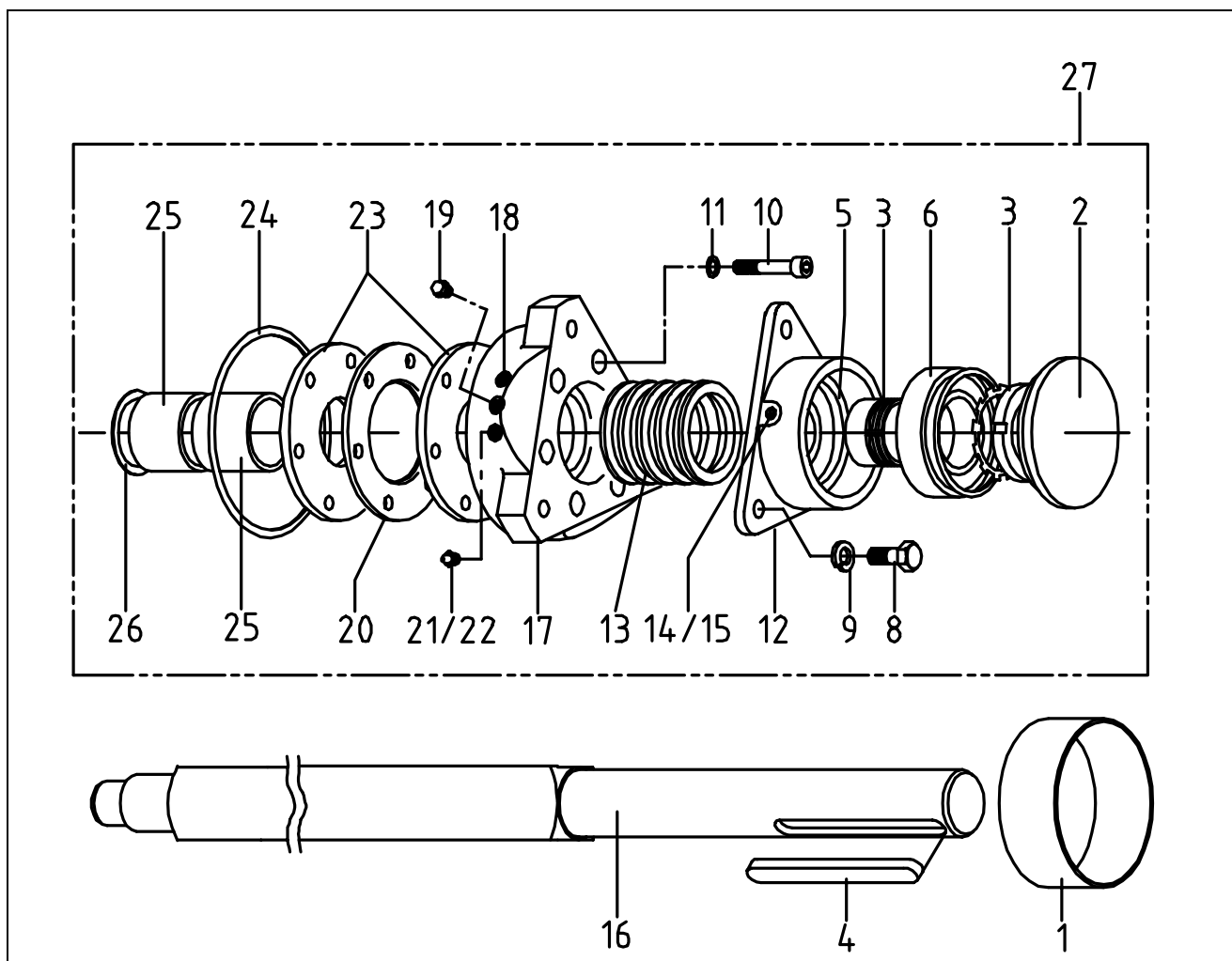
BILD, DESSIN, PICTURE:43035.WMF

| POS | ART-NR | BEZEICHNUNG | ST | POS | ART-NR. | BEZEICHNUNG | ST |
|-----|--------------|--|-----|-----|--------------|--------------------------------|-----|
| POS | NO.D'ARTICLE | DÉSIGNATION | QTÉ | POS | NO.D'ARTICLE | DÉSIGNATION | QTÉ |
| REF | ARTICLE NO | DESCRIPTION | QTY | REF | ARTICLE NO | DESCRIPTION | QTY |
| 1 | M7240954012 | GEGENPLATTE 95X40X12 | 2 | 13 | M5327162000 | RONDELLE 16,2 D 127A GALV | 16 |
| 2 | M7210001100 | MISCHFLÜGEL BM 1A | 2 | 14 | M5234160002 | ECROU D 934-8 M16 GALV | 16 |
| 3 | M7210006000 | MISCHFLÜGEL B 06 | 1 | 1 | M7240954012 | OPPOSITE PLATE 95X40X12 | 2 |
| 4 | M5031161100 | SCHRAUBE M16X110 | 8 | 2 | M7210001100 | CENTRE PADDLE BM 1A | 2 |
| 5 | M7241706010 | STEG 170X60X10 | 2 | 3 | M7210006000 | MIXING PADDLE B06 | 1 |
| 6 | M7240636010 | GEGENPLATTE 63X60X10 | 2 | 4 | M5031161100 | HEXAGON BOLT M16X110 D 931 8.8 | 8 |
| 7 | M7200004100 | KLEMMSTÜCK BK 1A | 2 | 5 | M7241706010 | RIDGES 170X60X10 | 2 |
| 8 | M7241864016 | STEG 186X40X15 | 2 | 6 | M7240636010 | OPPOSITE PLATE 63X60X10 | 2 |
| 9 | M5033160402 | SCHRAUBE D 933 M 16X 40 | 4 | 7 | M7200004100 | PADDLE CLAMP BK1A | 2 |
| 10 | M5033160600 | SCHRAUBE D 933 M 16X 60 | 4 | 8 | M7241864016 | RIDGES MH 186X40X15 | 2 |
| 11 | M7200003000 | KLEMMSTÜCK B 03 | 2 | 9 | M5033160402 | SCREW D 933 M 16X40 | 4 |
| 12 | M7200001000 | KLEMMSTÜCK B 01 | 2 | 10 | M5033160600 | SCREW D933 M16X60 D933-8.8 | 4 |
| 13 | M5327162000 | FEDERRING 16,2 D 127 A VERZINKT | 16 | 11 | M7200003000 | PADDLE CLAMP B 03 | 2 |
| 14 | M5234160002 | MUTTER M16 | 16 | 12 | M7200001000 | PADDLE CLAMP B 01 | 2 |
| 1 | M7240954012 | CONTREPLAQUE 95X40X1 | 2 | 13 | M5327162000 | SPRING WASHER 16.2 D 127A GALV | 16 |
| 2 | M7210001100 | PALE DE MALAXAGE BM 1 A | 2 | 14 | M5234160002 | NUT D 934-8 M16 GALV | 16 |
| 3 | M7210006000 | PALE DE MALAXAGE B 06 | 1 | | | | |
| 4 | M5031161100 | BOULON A TETE HEXAGONALE M16X110 D 931-8,8 | 8 | | | | |
| 5 | M7241706010 | CONTREPLAQUE 170X60X10 | 2 | | | | |
| 6 | M7240636010 | CONTREPLAQUE 63X60X10 | 2 | | | | |
| 7 | M7200004100 | MACHOIRE BK1A | 2 | | | | |
| 8 | M7241864016 | ENTRETOISE 186X40X15 | 2 | | | | |
| 9 | M5033160402 | ECROU D 933 | 4 | | | | |
| 10 | M5033160600 | VIS D 933 | 4 | | | | |
| 11 | M7200003000 | MACHOIRE B 03 | 2 | | | | |
| 12 | M7200001000 | MACHOIRE B 01 | 2 | | | | |



BILD, DESSIN, PICTURE: 43021.WMF

| POS | ART-NR | BEZEICHNUNG | ST | POS | ART-NR. | BEZEICHNUNG | ST |
|-----|--------------|---------------------------------------|-----|-----|--------------|----------------------------------|-----|
| POS | NO.D'ARTICLE | DÉSIGNATION | QTÉ | POS | NO.D'ARTICLE | DÉSIGNATION | QTÉ |
| REF | ARTICLE NO | DESCRIPTION | QTY | REF | ARTICLE NO | DESCRIPTION | QTY |
| 1 | M4242000905 | GUMMI-SCHEIBE OVAL 200X 90X 5 | 1 | 2 | M5327162000 | ..SPRING WASHER 16.2 D 127A | 1 |
| 2 | M5327162000 | FEDERRING A16,2 | 1 | 3 | M5033160500 | ..SCREW D 933-8.8 M16X50 | 1 |
| 3 | M5033160500 | SCHRAUBE D 933 M 16X 50 | 1 | 4 | M7051501212 | ..COUPLING, V-PART, 50 IG 2 1/2" | 1 |
| 4 | M7051501212 | KUPPLUNG VT 50 IG 21/2" | 1 | 5 | M3616293435 | ..GASKET | 1 |
| 5 | M3616293435 | DICHTUNG, GU. F. MT 35 | 1 | 6 | M7035351112 | ..COUPLING MT 35 IG 11/2" | 1 |
| 6 | M7035351112 | KUPPLUNG MT 35 IG 11/2" | 1 | 7 | L 1917050892 | ..VESSEL OUTPUT AIR 1 1/2" AG | 1 |
| 7 | L 1917050892 | KESSELABGANG EB LUFT 11/2" AG | 1 | 8 | L 7171701212 | ..COUPLING, V-PART 70 IG 2 1/2" | 1 |
| 8 | L 7171701212 | KUPPLUNG K-VT 70 IG 21/2" | 1 | 9 | M4221200860 | ..RUBBER GASKET M 60/65 86X12,0 | 1 |
| 9 | M4221200860 | GUMMI-DICHTUNG M 60/65 86X12,0 | 1 | 10 | L 7172702212 | ..COUPLING K-MT 70 TG AG 2 1/2" | 1 |
| 10 | L 7172702212 | KUPPLUNG K-MT 70TG AG 21/2" | 1 | 11 | M7051501212 | ..COUPLING, V-PART, 50 IG 2 1/2" | 1 |
| 11 | M7051501212 | KUPPLUNG VT 50 IG 21/2" | 1 | 12 | L 85418200 |STONE RETAINER | 1 |
| 12 | L 85418200 |STEINFANG M-TEIL70TA-V50I | 1 | 13 | L 85418150 |STONE RETAINER | 1 |
| 13 | L 85418150 |STEINFANG VT60I-MT60TA-V50IG | 1 | | | | |
| 1 | M4242000905 | JOINT OVAL 200X90X5 MM | 1 | | | | |
| 2 | M5327162000 | ..RONDELLE A RESSORT 16.2 D 127A | 1 | | | | |
| 3 | M5033160500 | ..VIS D 933-8,8 M16X50 | 1 | | | | |
| 4 | M7051501212 | ..ACCOUPEMENT VT 50 IG 2 1/2" | 1 | | | | |
| 5 | M3616293435 | ..JOINT | 1 | | | | |
| 6 | M7035351112 | ..RACCORD FEMALE 35 IG 11/2" | 1 | | | | |
| 7 | L 1917050892 | ..SORTIE 1 1/2" AG | 1 | | | | |
| 8 | L 7171701212 | ..RACCORD, MALE-PIECE, 70 IG 2 1/2" | 1 | | | | |
| 9 | M4221200860 | ..JOINT EN CAOUTCHOUC M 60/65 86X12,0 | 1 | | | | |
| 10 | L 7172702212 | ..ACCOUPEMENT K-MT 70TG AG 2 1/2" | 1 | | | | |
| 11 | M7051501212 | ..ACCOUPEMENT VT 50 IG 2 1/2" | 1 | | | | |
| 12 | L 85418200 |BLOQUE PIERRES | 1 | | | | |
| 13 | L 85418150 |BLOQUE PIERRES | 1 | | | | |
| 1 | M4242000905 | ..CAST DISK, OVAL 200X90X5 | 1 | | | | |



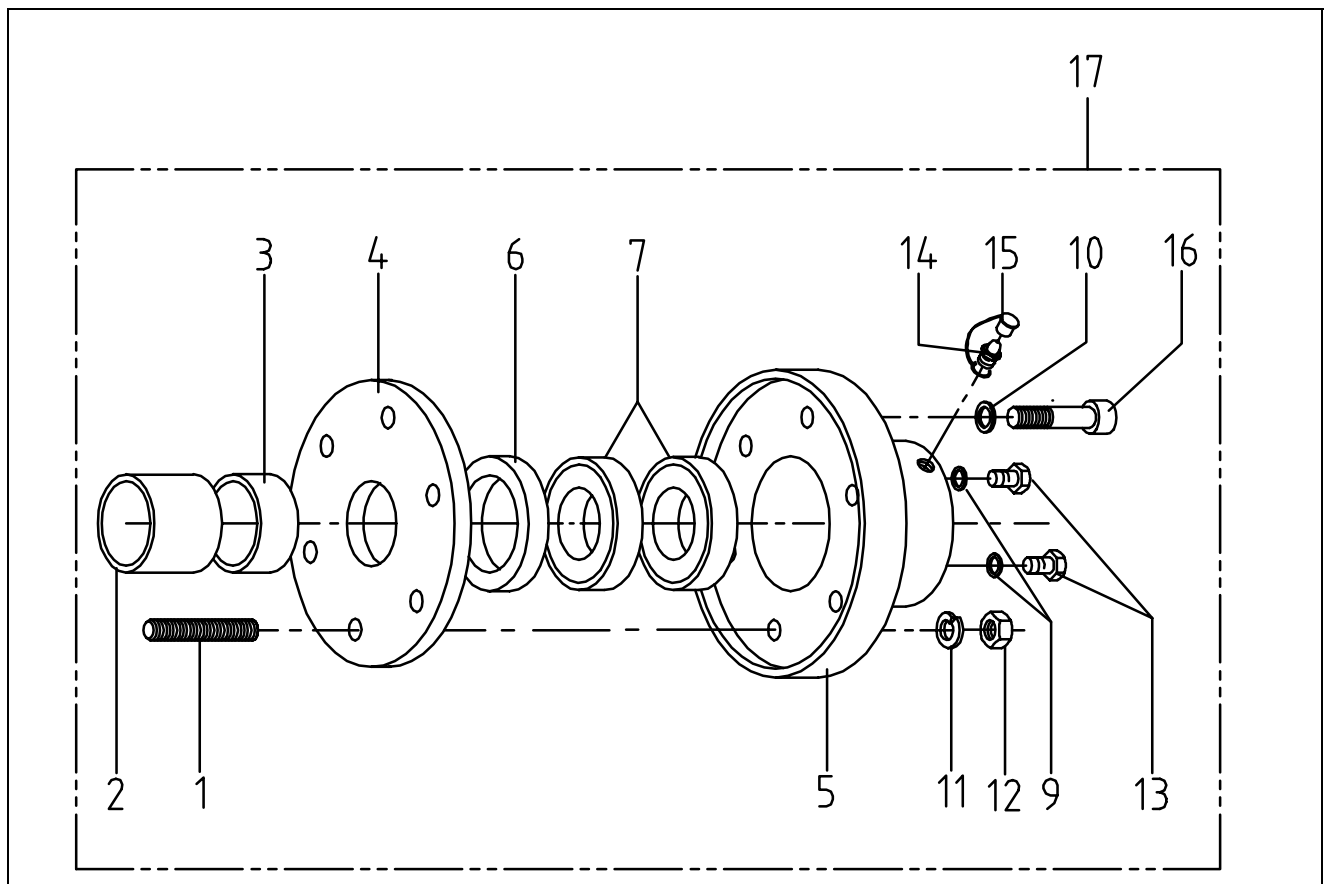
BILD, DESSIN, PICTURE: 43013.WMF

| POS | ART-NR | BEZEICHNUNG | ST | POS | ART-NR. | BEZEICHNUNG | ST |
|-----|--------------|--|-----|-----|--------------|---|-----|
| POS | NO.D'ARTICLE | DÉSIGNATION | QTÉ | POS | NO.D'ARTICLE | DÉSIGNATION | QTÉ |
| REF | ARTICLE NO | DESCRIPTION | QTY | REF | ARTICLE NO | DESCRIPTION | QTY |
| 0 | L 80806341 | DRUCK-U. MISCHKESSELABDICHTUNG VORNE O. ZENTRIER- U. LAGERFLANSCH, SERVICE-KIT | 1 | 19 | M5010100100 | BLINDSTOPFEN M10X1,0 | 1 |
| 1 | M4230600301 | GUMMI-SCHLAUCHRING, GETRIEBE ABDICHTUNG VORNE | 1 | 20 | M1800402090 | ZWISCHENRING FÜR ABDICHTUNG VORNE | 1 |
| 2 | M5492608026 | FILZSTREIFEN | 1 | 21 | M6034161010 | FETTNIPEL M10X1,0 | 1 |
| 3 | M5491021300 | SPANNHÜLSE | 1 | 22 | M6043013000 | FETTNIPELKAPPE ROT | 1 |
| 4 | M5385181116 | PASSFEDER FÜR MISCHWELLE | 1 | 23 | M4241700601 | POLY-DICHTUNG 170 X 60 | 2 |
| 5 | M5492608026 | FILZSTREIFEN | 1 | 24 | M5303999915 | KUPFERRING FÜR ABDICHTUNG VORNE | 1 |
| 6 | M5430012133 | PENDEL-KUGELLAGER | 1 | 25 | M5406007060 | INNENRING 60X70X60 | 2 |
| 8 | M5033140350 | SCHRAUBE M 14X 35 | 1 | 26 | M5388600760 | PASSSCHEIBE | 4 |
| 9 | M5327142002 | FEDERRING 14,2 | 3 | 27 | L 80806311 | DRUCK-U. MISCHKESSELABDICHTUNG VORNE, KPL., SERVICE-KIT | 1 |
| 10 | M5012120650 | SCHRAUBE M12X65 VERZ. INBUS | 6 | 0 | L 80806341 | PALIERS AVANT, CPL., SANS FLASQUE DE CENTRAGE ET PALIER, JEU DE MONTAGE | 1 |
| 11 | M5303121815 | KUPFERRING 12X18X1,5 | 6 | 1 | M4230600301 | RING DE TUYAU AU CAOUTCHOUC 150X60X3 | 1 |
| 12 | M5470005131 | FLANCSHLAGERGEHÄUSE FÜR ABDICHTUNG VORNE | 1 | 2 | M5492608026 | BANDE FEUTRE 6,5X8X260 | 1 |
| 13 | M4307009030 | GEWEBEPACKUNG FÜR ABDICHTUNG VORNE | 1 | 3 | M5491021300 | DOUILLE DE SERRAGE H213 | 1 |
| 14 | M6034261010 | FETTNIPEL H2 6KT M10X1,0 | 1 | 4 | M5385181116 | CLAVETTE D6885A 18X11X165 | 1 |
| 15 | M6043013000 | FETTNIPELKAPPE ROT | 1 | 5 | M5492608026 | BANDE FEUTRE 6,5X8X260 | 1 |
| 16 | M1800402043 | MISCHWELLE | 1 | 6 | M5430012133 | ROULEMENT PENAULAIRE 1213K.C3 | 1 |
| 17 | M1930010180 | ZENTRIERFLANSCH FÜR ABDICHTUNG VORNE | 1 | 8 | M5033140350 | BOULON M14X35 | 1 |
| 18 | M3661350622 | RÜCK-VENTIL M10X1 | 1 | 9 | M5327142002 | RONDELLE GROWER | 3 |
| | | | | 10 | M5012120650 | BOULON M12X65 D912 | 6 |

Ersatzteilliste, liste des pièces détachées, spare part list
H03 MISCHKESSELABDICHTUNG VORNE/ ETANCHEITE AVANT DE LA CUVE / MIXING VESSEL
SEALING DEVICE IN FRONT
TYPE DC 260/43



| <u>POS</u> | <u>ART-NR</u> | <u>BEZEICHNUNG</u> | <u>ST</u> | <u>POS</u> | <u>ART-NR.</u> | <u>BEZEICHNUNG</u> | <u>ST</u> |
|------------|---------------------|---|------------|------------|---------------------|--------------------|------------|
| <u>POS</u> | <u>NO.D'ARTICLE</u> | <u>DÉSIGNATION</u> | <u>QTÉ</u> | <u>POS</u> | <u>NO.D'ARTICLE</u> | <u>DÉSIGNATION</u> | <u>QTÉ</u> |
| <u>REF</u> | <u>ARTICLE NO</u> | <u>DESCRIPTION</u> | <u>QTY</u> | <u>REF</u> | <u>ARTICLE NO</u> | <u>DESCRIPTION</u> | <u>QTY</u> |
| 11 | M5303121815 | RONDELLE CUIVRE 12X18X1,5 | 6 | | | | |
| 12 | M5470005131 | BRIDE-CARTER DE ROULEMENT F 513B | 1 | | | | |
| 13 | M4307009030 | TISSUS 70X90X30 | 1 | | | | |
| 14 | M6034261010 | GRAISSEUR H2 6KT M10X1,0 | 1 | | | | |
| 15 | M6043013000 | GRAISSEUR COIFFE GPN1300A | 1 | | | | |
| 16 | M1800402043 | ARBRE DE MALAXAGE | 1 | | | | |
| 17 | M1930010180 | FLASQUE DE CENTRAGE AVANT 101/80 | 1 | | | | |
| 18 | M3661350622 | SOUPAPE ANTI-RETOUR RHZ 6L | 1 | | | | |
| 19 | M5010100100 | FAUSSE FICHE D910 M10X1,0 | 1 | | | | |
| 20 | M1800402090 | RONDELLE INTERCALAIRE 04-02-89 | 1 | | | | |
| 21 | M6034161010 | GRAISSEUR H1 6KT M10X1,0 | 1 | | | | |
| 22 | M6043013000 | GRAISSEUR COIFFE GPN1300A | 1 | | | | |
| 23 | M4241700601 | JOINT 170X60X10 | 2 | | | | |
| 24 | M5303999915 | RONDELLE CUIVRE 180X190X1,5 | 1 | | | | |
| 25 | M5406007060 | RONDELLE INTERIEURE 60X70X60 | 2 | | | | |
| 26 | M5388600760 | COURONNE 60X75X1,0 | 4 | | | | |
| 27 | L 80806311 | PALERS AVANT AVEC FLASQUE COMPLETSJEU DE MONTAGE | 1 | | | | |
| 0 | L 80806341 | PRESSURISED VESSEL SEALING DEVICE, CPL., WITHOUT POSITION- AND CENTERING-FLANGES, SERVICE-KIT | 1 | | | | |
| 1 | M4230600301 | RUBBER HOSE RING 150X60X3 | 1 | | | | |
| 2 | M5492608026 | FELT STRIP 6.5X8X260 | 1 | | | | |
| 3 | M5491021300 | CLAMPING SLEEVE H 213 | 1 | | | | |
| 4 | M5385181116 | FEATHER D6885A 18X11X165 | 1 | | | | |
| 5 | M5492608026 | FELT STRIP 6.5X8X260 | 1 | | | | |
| 6 | M5430012133 | SELF-ALIGNING BALL BEARING 1213K.C3 | 1 | | | | |
| 8 | M5033140350 | SCREW M14X35 | 1 | | | | |
| 9 | M5327142002 | SPRING WASHER D127A 14.2 | 3 | | | | |
| 10 | M5012120650 | SCREW M12X65 D912 | 6 | | | | |
| 11 | M5303121815 | COPPER RING 12X18X1.5 | 6 | | | | |
| 12 | M5470005131 | FLANGE BEARING CASING F 513 B | 1 | | | | |
| 13 | M4307009030 | CLOTH PACKING 70X90X30 | 1 | | | | |
| 14 | M6034261010 | GREASE NIPPLE H2 HEX. M10X1 | 1 | | | | |
| 15 | M6043013000 | GREASE-NIPPLE CAP GPN1300A | 1 | | | | |
| 16 | M1800402043 | MIXING SHAFT | 1 | | | | |
| 17 | M1930010180 | CENTERING FLANGE 101/80 | 1 | | | | |
| 18 | M3661350622 | NON-RETURN-VALVE RHZ6L | 1 | | | | |
| 19 | M5010100100 | BLIND PLUG M10X1,0 D910 | 1 | | | | |
| 20 | M1800402090 | INTERMEDIATE RING | 1 | | | | |
| 21 | M6034161010 | GREASE NIPPLE H1 HEX. M10X1.0 | 1 | | | | |
| 22 | M6043013000 | GREASE-NIPPLE CAP GPN1300A | 1 | | | | |
| 23 | M4241700601 | DRIVE END SEALING DISC 170X60X10/6X13 | 2 | | | | |
| 24 | M5303999915 | COPPER RING 180X190X1.5 | 1 | | | | |
| 25 | M5406007060 | INNER RING 60X70X60 | 2 | | | | |
| 26 | M5388600760 | FITTING DISK 60X75X1.0 | 4 | | | | |
| 27 | L 80806311 | PRESSURISED VESSEL SEALING DEVICE,CPL., SERVICE-KIT | 1 | | | | |



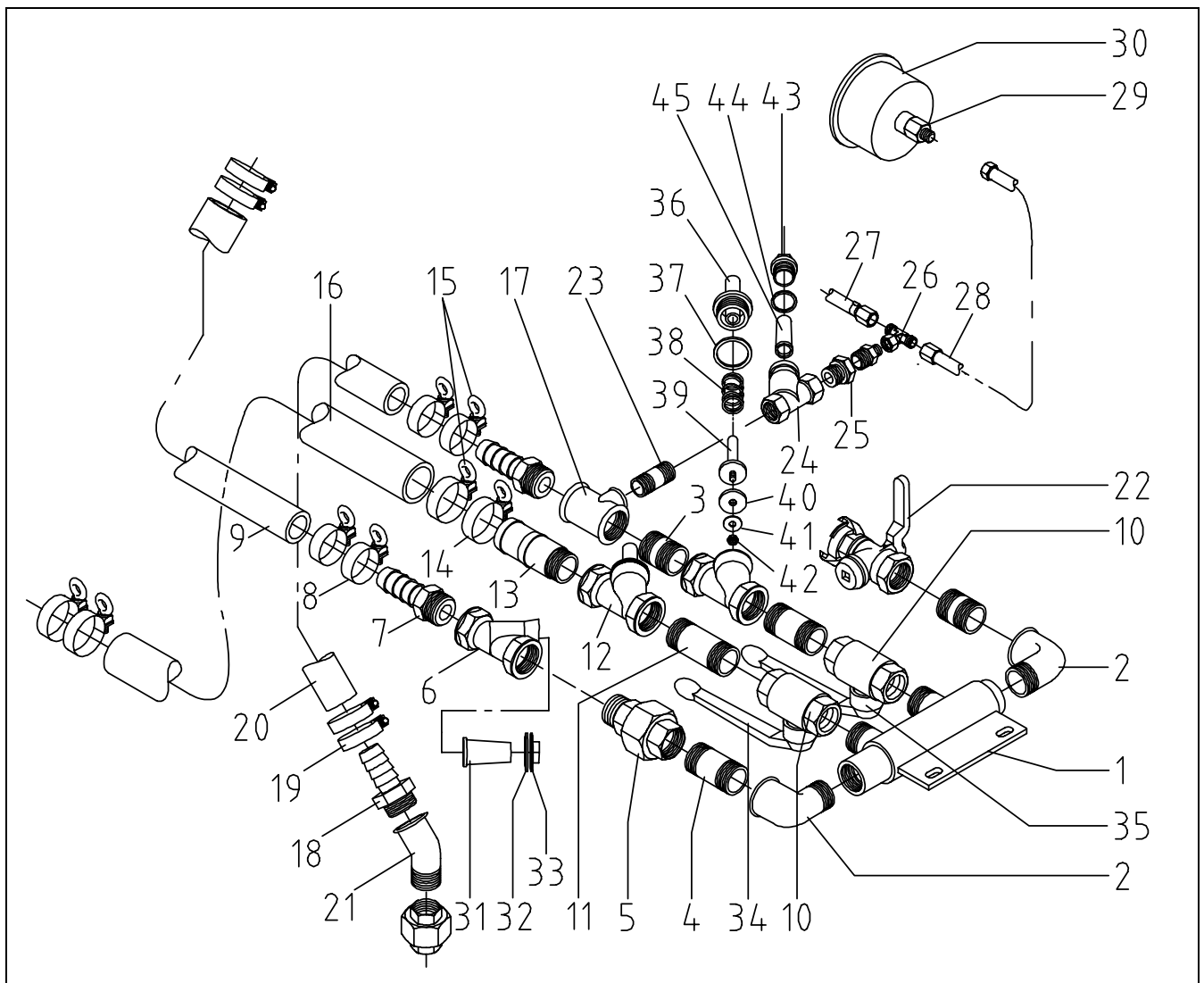
BILD, DESSIN, PICTURE: 43012.WMF

| POS | ART-NR | BEZEICHNUNG | ST | POS | ART-NR. | BEZEICHNUNG | ST |
|-----|--------------|--|-----|-----|--------------|--|-----|
| POS | NO.D'ARTICLE | DÉSIGNATION | QTÉ | POS | NO.D'ARTICLE | DÉSIGNATION | QTÉ |
| REF | ARTICLE NO | DESCRIPTION | QTY | REF | ARTICLE NO | DESCRIPTION | QTY |
| 0 | L 80810301 | DRUCK-U.MISCHKESSELABDICHTUNG HINTEN, O.LAGERFLANSCH, SERVICE-KIT | 1 | 2 | M5405005840 | BAGUE INTERIEURE 50X58X40 | 1 |
| 0 | L 80810231 | DRUCK-U.MISCHKESSELABDICHTUNG HINTEN KPL. SERVICE-KIT | 1 | 3 | M5405005822 | BAGUE INTERIEURE 50X58X22 | 1 |
| 1 | M5038120602 | SCHRAUBENBOLZEN M12X60 VERZ. | 2 | 4 | M4241700501 | JOINT POLY 170X50X10 / 6 X 13TK | 1 |
| 2 | M5405005840 | INNENRING 50X58X40 | 1 | 5 | M1930010280 | PALIER ARRIERE | 1 |
| 3 | M5405005822 | INNENRING 50X58X22 | 1 | 6 | M4305808012 | JOINT SPI B2 58X80X12 | 1 |
| 4 | M4241700501 | POLY-DICHTUNG 170X50 | 1 | 7 | M5430072081 | ROULEMENT A BILLES 7208 B | 2 |
| 5 | M1930010280 | LAGERFLANSCH FÜR ABDICHTUNG HINTEN | 1 | 9 | M5303101410 | KUPFERRING 10X14X1,0 | 2 |
| 6 | M4305808012 | SIMMERRING 58X 80X 12 | 1 | 10 | M5303121815 | KUPFERRING 12X18X1,5 | 4 |
| 7 | M5430072081 | SCHRÄG-KUGELLAGER | 2 | 11 | M5327122002 | FEDERRING 12,2 | 2 |
| 9 | M5303101410 | KUPFERRING 10X14X1,0 | 2 | 12 | M5234120002 | MUTTER M 12 | 2 |
| 10 | M5303121815 | KUPFERRING 12X18X1,5 | 4 | 13 | M5033100102 | SCHRAUBE M10X10 VERZ. | 2 |
| 11 | M5327122002 | FEDERRING 12,2 | 2 | 14 | M6034161010 | FETTNIPPEL M10X1,0 | 1 |
| 12 | M5234120002 | MUTTER M 12 | 2 | 15 | M6043013000 | FETTNIPPELKAPPE ROT | 1 |
| 13 | M5033100102 | SCHRAUBE M10X10 VERZ. | 2 | 16 | M5012120450 | SCHRAUBE INBU M12X45 VERZ. | 4 |
| 14 | M6034161010 | FETTNIPPEL M10X1,0 | 1 | 17 | L 80810231 | DRUCK-U.MISCHKESSELABDICHTUNG HINTEN KPL. SERVICE-KIT | 1 |
| 15 | M6043013000 | FETTNIPPELKAPPE ROT | 1 | 0 | L 80810301 | DRUCK-U.MISCHKESSELABDICHTUNG HINTEN, O.LAGERFLANSCH, SERVICE-KIT | 1 |
| 16 | M5012120450 | SCHRAUBE INBU M12X45 VERZ. | 4 | 0 | L 80810231 | PALIER ET JOINT ARRIERE COMPLET, JEU DE MONTAGE | 1 |
| 17 | L 80810231 | DRUCK-U.MISCHKESSELABDICHTUNG HINTEN KPL. SERVICE-KIT | 1 | 0 | L 80810301 | PALIER ET JOINT, ARRIERE, CPL., SANBRIDE DE PALIER, JEU DE MONTAGE | 1 |
| 0 | L 80810301 | DRUCK-U.MISCHKESSELABDICHTUNG HINTEN, O.LAGERFLANSCH, SERVICE-KIT | 1 | 1 | M5038120602 | TIGE FILETEE M12X60 GALV. | 2 |
| 0 | L 80810231 | PALIER ET JOINT ARRIERE COMPLET, JEU DE MONTAGE | 1 | 2 | M5405005840 | INNER RING 50X58X40 | 1 |
| 0 | L 80810301 | PALIER ET JOINT, ARRIERE, CPL., SANBRIDE DE PALIER, JEU DE MONTAGE | 1 | 3 | M5405005822 | INNER RING 50X58X22 | 1 |
| 1 | M5038120602 | TIGE FILETEE M12X60 GALV. | 2 | 4 | M4241700501 | NON DRIVE END SEAL 170X50X10/6X13TK1 | 1 |
| | | | | 5 | M1930010280 | POSITION FLANGE, REAR | 1 |
| | | | | 6 | M4305808012 | OIL-SEAL-RING B2 58X80X12 | 1 |

Ersatzteilliste, liste des pièces détachées, spare part list
H03 MISCHKESSELABDICHTUNG HINTEN / ETANCHEITE ARRIERE DE LA CUVE / MIXING VESSEL
SEALING DEVICE REAR
TYPE DC 260/22-54



| <u>POS</u> | <u>ART-NR</u> | <u>BEZEICHNUNG</u> | <u>ST</u> | <u>POS</u> | <u>ART-NR.</u> | <u>BEZEICHNUNG</u> | <u>ST</u> |
|------------|---------------------|--|------------|------------|---------------------|--------------------|------------|
| <u>POS</u> | <u>NO.D'ARTICLE</u> | <u>DÉSIGNATION</u> | <u>QTÉ</u> | <u>POS</u> | <u>NO.D'ARTICLE</u> | <u>DÉSIGNATION</u> | <u>QTÉ</u> |
| <u>REF</u> | <u>ARTICLE NO</u> | <u>DESCRIPTION</u> | <u>QTY</u> | <u>REF</u> | <u>ARTICLE NO</u> | <u>DESCRIPTION</u> | <u>QTY</u> |
| 7 | M5430072081 | ANGULAR CONTACT BALL BEARING 7208 B | 2 | | | | |
| 9 | M5303101410 | COPPER RING 10X14X1.0 | 2 | | | | |
| 10 | M5303121815 | COPPER RING 12X18X1.5 | 4 | | | | |
| 11 | M5327122002 | SPRING RING GALV. D 127A 12.2 | 2 | | | | |
| 12 | M5234120002 | NUT GALV. D934-8 M12 | 2 | | | | |
| 13 | M5033100102 | SCREW M10X10 GALV. | 2 | | | | |
| 14 | M6034161010 | GREASE NIPPLE H1 HEX. M10X1.0 | 1 | | | | |
| 15 | M6043013000 | GREASE-NIPPLE CAP GPN1300A | 1 | | | | |
| 16 | M5012120450 | SOCKET SCREW M12X45 GALV. | 4 | | | | |
| 17 | L 80810231 | PRESSURISED VESSEL SEALING DEVICE,CPL., REAR, SERVICE-KIT | 1 | | | | |

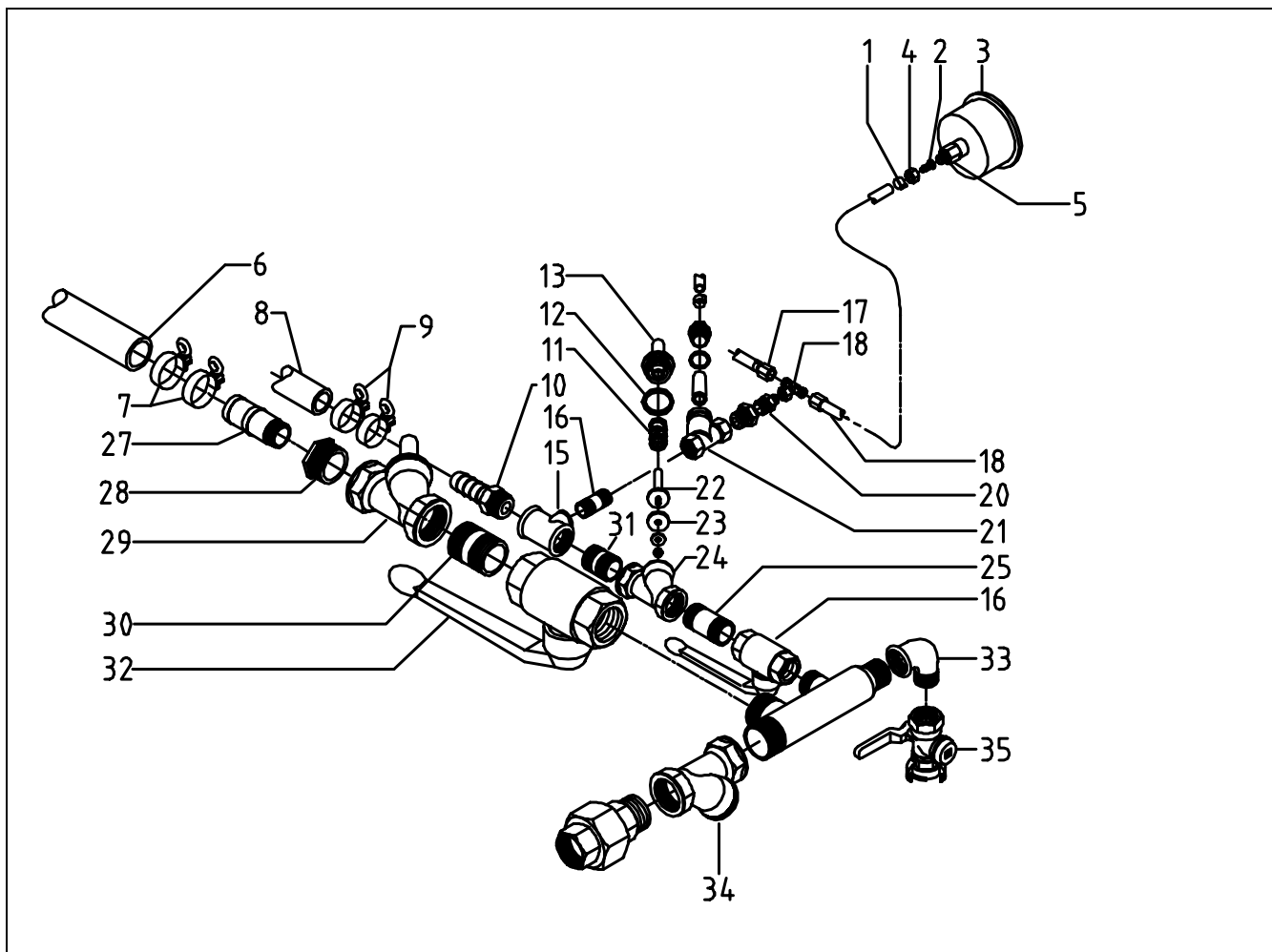


BILD, DESSIN, PICTURE:43052.WMF

| POS | ART-NR | BEZEICHUNG | ST | POS | ART-NR | BEZEICHUNG | ST |
|-----|---------------|---|-----|-----|---------------|--|-----|
| POS | NO. D'ARTICLE | DÉSIGNATION | QTÉ | POS | NO. D'ARTICLE | DÉSIGNATION | QTÉ |
| REF | ARTICLE NO | DESCRIPTION | QTY | REF | ARTICLE NO | DESCRIPTION | QTY |
| 1 | M1805007010 | ..LUFTVERTEILER FÜR DC260/33+43 | 1 | 21 | M5612110000 | ..WINKEL 121 VERZ. 1" IA45G | 1 |
| 2 | M5609210002 | ..WINKEL 92 1" IA90 VERZ. | 2 | 22 | M3616010210 | ..LUFTENTNAHMEHAHN 1" 102 | 1 |
| 3 | M5602310042 | ..ROHRNIPPEL 23 1"X 40 VERZ. | 2 | 23 | M5602304040 | ..ROHRNIPPEL 23 1/2"X 40 | 1 |
| 4 | M5602310060 | ..R OHRNIPPEL 23 VERZ. 1"X60 | 2 | 24 | M3502601300 | ..SCHMUTZFÄNGER IG 1/2"NW18/6013 | 1 |
| 5 | M5634110000 | ..VERSCHRAUBUNG 341 1" IA | 2 | 25 | M3661211254 | ..RED-DONI M12X1,5- R 1/2" | 1 |
| 6 | L 3507020550 | ..SCHMUTZFÄNGER 1" KPL | 1 | 26 | M3653820620 | ..EIN-T-AN-STUTZ EVT 6-L | 1 |
| 7 | M3618210210 | ..SCHLAUCHTÜLLE NW 1" XAG 1" | 1 | 27 | m3611105050 | ..SCHLAUCH NW 5, L500, 1TE 5 / A0-A0 | 1 |
| 8 | M2112028662 | ..SCHELLE 29-31mm DC260/22-43 | 4 | 28 | M3611105110 | ..SCHLAUCH NW 5, L 1100, 1 TE / AO-AO | 1 |
| 9 | M2100709200 | ..SCHLAUCH V.ÖLBEH/Z.KESSEL 1.1M | 1 | 29 | M3659020624 | ..MANOMETER-VER MAV 6-LR | 1 |
| 10 | M3502350060 | ..KUGELHAHN 1" II 35006 | 2 | 30 | M3517670762 | ..MANOMETAR,KESSEL-DRUCKANZEIGE | 1 |
| 11 | M5602310080 | ..ROHRNIPPEL 23 1"X 80 | 1 | 31 | M3507021920 | ..SCHMUTZFÄNGEREINSATZ 1" | 1 |
| 12 | I3501210100 | ..RÜCKSCHLAGVENTIL MS 1210 1" | 2 | 32 | M3501210102 | ..DEKELDICHTUNG FÜR SCHMUTZF.U.RÜCKSCHLAGV. | 1 |
| 13 | M3618135210 | ..SCHLAUCHTÜLLE NW 35X AG 1" | 1 | 33 | M5629110000 | ..BLINDSTOPFEN 1751 MESS 1" | 1 |
| 14 | M3600200480 | ..SCHLAUCHSCHELLE 48/20 O.S. | 4 | 34 | M3502350068 | ..HEBELARM 35006 KUHA 1" | 2 |
| 15 | M5080080402 | ..RINGSCHRAUBE M8X40 | 8 | 35 | M3502350069 | ..SCHRAUBE F. SCHALTWELLE 1" | 2 |
| 16 | M4213508000 | ..FÖRDERSCHLAUCH NW 35, LFM, S8, 40 BAR | 2 | 36 | M3501210103 | ..DECKEL FÜR RÜCKSCHLAGVENTIL 1" .. | 1 |
| 17 | M5613010048 | ..T-STÜCK 130 1" X1/2X 1" | 1 | 37 | M3501210102 | ..DEKELDICHTUNG FÜR SCHMUTZF.U.RÜCKSCHLAGVENT. | 1 |
| 18 | M3618210210 | ..SCHLAUCHTÜLLE NW 1" XAG 1" | 2 | 38 | M3501210106 | ..FEDER F. RÜCKSCHLAGVENTIL 1" | 1 |
| 19 | M3600200380 | ..SCHLAUCHSCHELLE 38/20 O.S. | 2 | | | | |
| 20 | M4212507000 | ..HD-SCHLAUCH 25,0X 7,0 | 2 | | | | |



| POS | ART-NR | BEZEICHNUNG | ST | POS | ART-NR | BEZEICHNUNG | ST |
|--------|---------------|---|-----|--------|---------------|---|-----|
| POS | NO. D'ARTICLE | DÉSIGNATION | QTE | POS | NO. D'ARTICLE | DÉSIGNATION | QTE |
| REF | ARTICLE NO | DESCRIPTION | QTY | REF | ARTICLE NO | DESCRIPTION | QTY |
| 39... | M3501210104 | ..DICHTKOLBEN FÜR RÜCKSCHLAGVVE 1" .. | 1 | 43 .. | M3502601301 | ..COUVERCLE POUR COLLECTEUR DE BOUE1/2", CUIVRE | 1 |
| 40... | M3501210105 | ..GUMMIDICHTUNG FÜR KOLBEN RÜCKSCHLAGVENTIL 1"..... | 1 | 44 .. | M5303222715 | ..ANNEAU EN CUIVRE 22X27X1,5 | 1 |
| 41... | M5321064201 | ..U-SCHEIBE FÜR DICHTKEGEL/RÜCKSCHLAGVENTIL | 1 | 45 .. | M3502601372 | ..TAMIS COLLECTEUR DE BOUE 1/2" NWD18 601 13/72 | 1 |
| 42... | M5280060000 | ..MUTTER D 980 M 6..... | 1 | 1 | M1805007010 | ..AIR MANIFOLD TRANS MIX DC 260/43 | 1 |
| 43... | M3502601301 | ..VERSCHLUSSDECKEL,MESSING FÜR SCHMUTZFÄNGER 1/2"..... | 1 | 2 | M5609210002 | ..ANGLE 92 1" GALV. | 2 |
| 44... | M5303222715 | ..KUPFERRING | 1 | 3 | M5602310042 | ..BARREL NIPPLE 23 1"X40 GALV. | 2 |
| 45... | M3502601372 | ..SIEB 1/2" | 1 | 4 | M5602310060 | ..BARREL NIPPLE 23 GALV. 1"X60 | 2 |
| 1 | M1805007010 | ..DISTRIBUTEUR D'AIR POUR | 1 | 5 | M5634110000 | ..SCREW FITTING 341 1"..... | 2 |
| 2 | M5609210002 | ..ANGLE 92 1" GALV. | 2 | 6 | L 3507020550 | ..DIRT PAN MS 1" | 1 |
| 3 | M5602310042 | ..NIPPLE DE TUYAU 23 1"X40 GALV. | 2 | 7 | M3618210210 | ..HOSE NOZZLE NW 1" XAG 1"..... | 1 |
| 4 | M5602310060 | ..NIPPEL DE TUYAU 23 GALV. 1"X60..... | 2 | 8 | M2112028662 | ..HOSE CLIP 1202 8663 02 29 - 31 MM | 4 |
| 5 | M5634110000 | ..VISSAGE 341 1" | 2 | 9 | M2100709200 | ..HOSE 0070 9200 02 | 1 |
| 6 | L 3507020550 | ..COLLECTEUR DE BOUE MS 1"..... | 1 | 10 .. | M3502350060 | ..BALL VALVE 1" II 35006..... | 2 |
| 7 | M3618210210 | ..DOUILLE DE TUYAU NW 1" XAG 1" | 1 | 11 .. | M5602310080 | ..BARREL NIPPLE 23 1"X80 GALV. | 1 |
| 8 | M2112028662 | ..COLLIER 1202 8663 02 29 - 31 MM | 4 | 12 .. | I3501210100 | ..NONRETURN VALVE MS 1210 1" | 2 |
| 9 | M2100709200 | ..FLEXIBLE 0070 9200 02..... | 1 | 13 .. | M3618135210 | ..HOSE NOZZLE NW 35 X AG 1" | 1 |
| 10... | M3502350060 | ..ROBINET DE RETENUE 1" II 35006 | 2 | 14 .. | M3600200480 | ..HOSE CLAMP 48/20 | 4 |
| 11... | M5602310080 | ..NIPPLE DE TUYAU 23 1"X80 GALV..... | 1 | 15 .. | M5080080402 | ..RING SCREW, GALV. M 8X40 | 8 |
| 12... | I3501210100 | ..CLAPET ANTI RETOUR MS 1210 1"..... | 2 | 16 .. | M4213508000 | ..HOSE 35,0 X 8,0, 40 BAR, DRAGA 40 | 2 |
| 13... | M3618135210 | ..DOUILLE DE TUYAU NW 35 X AG 1"..... | 1 | 17 .. | M5613010048 | ..T-FITTING 130 1"X1/2X1" GALV. | 1 |
| 14... | M3600200480 | ..COLLIER DE TUYAU 48/20 | 4 | 18 .. | M3618210210 | ..HOSE NOZZLE NW 1" XAG 1" | 2 |
| 15... | M5080080402 | ..PITON M 8X40 GALV. | 8 | 19 .. | M3600200380 | ..HOSE CLAMP 38/20 | 2 |
| 16... | M4213508000 | ..FLEXIBLE 35,0 X 8,0, 40 BAR, DRAGA 40 | 2 | 20 .. | M4212507000 | ..HOSE HYDRAULIC 25,0 X 7,012 BAR, DIN 20018..... | 2 |
| 17... | M5613010048 | ..T-VISSAGE 130 1"X1/2X1" GALV..... | 1 | 21 .. | M5612110000 | ..ANGLE 121 GALV. 1" 45G | 1 |
| 18... | M3618210210 | ..DOUILLE DE TUYAU NW 1" XAG 1" | 2 | 22 .. | M3616010210 | ..AIR-DRAW-OFF VALVE 1" 102 | 1 |
| 19... | M3600200380 | ..COLLIER DE TUYAU 38/20 | 2 | 23 .. | M5602304040 | ..BARREL NIPPLE 23 1/2" X 40 GALV. | 1 |
| 20... | M4212507000 | ..FLEXIBLE HYDRAULIQUE 25,0X7,0 12 BAR, DIN 20018..... | 2 | 24 .. | M3502601300 | ..DIRT PAN 1/2" NW 18/6013 | 1 |
| 21... | M5612110000 | ..ANGLE 121 GALV. 1" 45G..... | 1 | 25 .. | M3661211254 | ..REDUCTION DOUBLE NIPPLE M12X1,5 R1/2" | 1 |
| 22... | M3616010210 | ..ROBINET DE PRELEVEMENT D'AIR 1" 102 | 1 | 26 .. | M3653820620 | ..T-FITTING EVT 6-L | 1 |
| 23... | M5602304040 | ..NIPPLE DE TUYAU 23 1/2" X 40 GALV..... | 1 | 27 .. | m3611105050 | ..HOSE NW 5, L 500 , 1 TE 5 / AO-AO | 1 |
| 24... | M3502601300 | ..COLLECTEUR DE BOUE 1/2" NW18/6013... .. | 1 | 28 .. | M3611105110 | ..HOSE NW 5, L 1100, 1 TE / AO-AO | 1 |
| 25... | M3661211254 | ..DOUBLE-NIPPLE DE REDUCTION M12X1,5-R 1/2" | 1 | 29 .. | M3659020624 | ..SCREW FITTING MAV 6-LR | 1 |
| 26... | M3653820620 | ..T-VISSAGE EVT 6-L | 1 | 30 .. | M3517670762 | ..PRESSURE GAUGE | 1 |
| 27... | m3611105050 | ..TUYAU NW 5, L 500 , 1 TE 5 / AO-AO..... | 1 | 31 .. | M3507021920 | ..FILTER CARTRIDGE MS 1" | 1 |
| 28... | M3611105110 | ..TUYAU NW 5, L 1100, 1 TE / AO-AO..... | 1 | 32 .. | M3501210102 | ..NON RETURN VALVE GASKET 33,4X40X1,5 | 1 |
| 29... | M3659020624 | ..MANOMETRE - VISSAGE MAV 6-LR..... | 1 | 33 .. | M5629110000 | ..WELSH PLUG 1751 1" | 1 |
| 30... | M3517670762 | ..MANOMETRE DE PRESSION..... | 1 | 34 .. | M3502350068 | ..LEVER FOR BALL VALVE 1" 35006..... | 2 |
| 31... | M3507021920 | ..FILTRE DE RECHANGE MS 1" | 1 | 35 .. | M3502350069 | ..SCREW FOR SWITCHING SHAFT 1" | 2 |
| 32... | M3501210102 | ..RONDELLE DE JOINT 33,4X40X1,5 | 1 | 36 .. | M3501210103 | ..LID FOR NONRETURN VALVE 1210/1" | 1 |
| 33... | M5629110000 | ..BOULON DE FERMETURE | 1 | 37 .. | M3501210102 | ..NON RETURN VALVE GASKET 33,4X40X1,5 | 1 |
| 34... | M3502350068 | ..LEVIER POUR ROBINET DE RETENUE 1" .. | 2 | 38... | M3501210106 | ..NON RETURN VALVE SPRING 1210/1" | 1 |
| 35... | M3502350069 | ..VIS POUR ARBRE DE COMMANDE 1" | 2 | 39... | M3501210104 | ..NON RETURN VALVE PISTON 1210/1" | 1 |
| 36... | M3501210103 | ..COUVERCLE POUR CLAPET ANTI-RETOUR1210/1" | 1 | 40... | M3501210105 | ..RUBBER GASKET FOR NONRETURN VALVE1210/1" | 1 |
| 37 .. | M3501210102 | ..RONDELLE DE JOINT 33,4X40X1,5 | 1 | 41... | M5321064201 | ..WASHER D 6X19 MM..... | 1 |
| 38 .. | M3501210106 | ..RESSORT DE PRESSION POUR CLAPET ANTI-RETOUR 1210/1" | 1 | 42... | M5280060000 | ..NUT D 980V M 6 GALV. | 1 |
| 39 .. | M3501210104 | ..RONDELLE D'ETANCHEITE POUR CLAPET ANTI-RETOUR 1210/1" | 1 | 43... | M3502601301 | ..COVER FOR DIRT PAN 1/2", BRASS | 1 |
| 40 .. | M3501210105 | ..JOINT EN CAOUTCHOUC POUR CLAPET ANTI RETOUR 1210/1"..... | 1 | 44... | M5303222715 | ..COPPER RING 22X27X1,5..... | 1 |
| 41 .. | M5321064201 | ..RONDELLE D 6 X 19 MM..... | 1 | 45... | M3502601372 | ..NON RETURN VALVE FILTER 1/2" NWD18 601 13/72..... | 1 |
| 42 .. | M5280060000 | ..ECROU D 980V M 6 GALV..... | 1 | | | | |

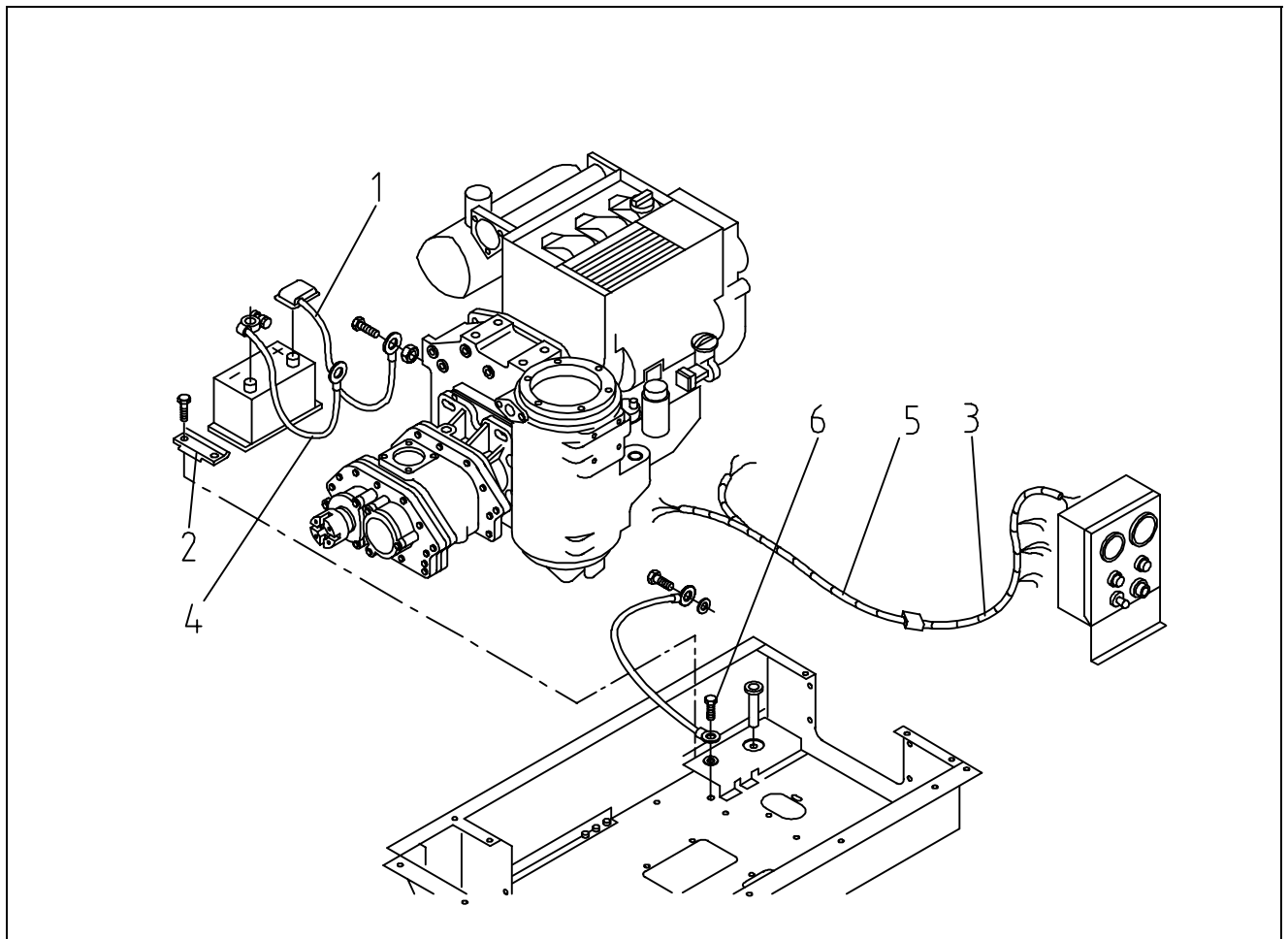


BILD, DESSIN, PICTURE:54005.WMF

| POS | ART-NR | BEZEICHNUNG | ST | POS | ART-NR | BEZEICHNUNG | ST |
|-----|---------------|--|-----|-----|---------------|--|-----|
| POS | NO. D'ARTICLE | DÉSIGNATION | QTE | POS | NO. D'ARTICLE | DÉSIGNATION | QTE |
| REF | ARTICLE NO | DESCRIPTION | QTY | REF | ARTICLE NO | DESCRIPTION | QTY |
| 1 | M3603011132 | ..OHRKLEMME 11-13 | 1 | 18 | M3653820620 | ..EIN-T-AN-STUTZ EVT 6-L | 1 |
| 2 | M3610803405 | ..NIPPEL F 1TE 5 803405 | 1 | 19 | M3611105110 | ..SCHLAUCH NW 5, L 1100, 1 TE / AO-AO | 1 |
| 3 | M3517670762 | ..MANOMETER GLYZ | 1 | 20 | M3661211254 | ..RED-DONI M12X1,5- R 1/2" | 1 |
| 4 | M3610760605 | ..ÜBERWURFMUTTER M12X1,5 760605 | 1 | 21 | M3502601300 | ..SCHMUTZFÄNGER IG 1/2"NW18/6013 | 1 |
| 5 | M3659020624 | ..MANOMETER-VER MAV 6-LR | 1 | 22 | M3501210104 | ..DICHTKOLBEN FÜR RÜCKSCHLAG-VENTIL 1" | 1 |
| 6 | M4213508000 | ..SCHLAUCH MF NW 35, LFM, S8, 40 BAR | 1 | 23 | M3501210105 | ..GUMMIDICHTUNG FÜR RÜCKSCHLAG-VENTIL 1" | 1 |
| 7 | L 85674050 | ..SCHELLE 48/20 MIT RINGSCHRAUBE M8X40 FÜR FÖRDERSCHLAUCH Ø35, PN 40BAR. | 1 | 24 | M3501210101 | ..GEHÄUSE FÜR RÜCKSCHLAGVENTIL 1" | 1 |
| 8 | M4212507000 | ..HD-SCHLAUCH 25,0X 7,0 | 1 | 25 | M5602310060 | ..ROHRNIPPEL 23 VERZ. 1"X60 | 1 |
| 9 | L 85662050 | ..SCHELLE 38/20 MIT RINGSCHRAUBE M8X40 | 1 | 26 | M3502350060 | ..KUGELHAHN 1" II 35006 | 1 |
| 10 | M3618210210 | ..SCHLAUCHTÜLLE NW 1" XAG 1" | 1 | 27 | M3618135210 | ..SCHLAUCHTÜLLE NW 35X AG 1" | 1 |
| 11 | M3501210106 | ..DRUCKFEDER RÜCK-VENT 1210/1" | 1 | 28 | M5624114100 | ..RED-STÜCK 241 VERZ. 11/2"X1" AI | 1 |
| 12 | M3501210102 | ..DICHTUNG/KLING F.RÜCKSCHLAGVENTIL UND SCHMUTZFÄNG. | 1 | 29 | M3501210140 | ..RÜCKSCHLAG-VENT MS1210/11/2" | 1 |
| 13 | M3501210103 | ..DECKEL F. RÜCK-VENTIL 1210/1" | 1 | 30 | M5602314062 | ..ROHRNIPPEL 23 1 1/2"X 60 VZ | 1 |
| 14 | M3502601372 | ..SIEB SF 1/2" NWD18 6013/72 | 1 | 31 | M5602310042 | ..ROHRNIPPEL 23 1"X 40 VERZ. | 1 |
| 15 | M5613010048 | ..T-STÜCK 130 1" X1/2X 1" | 1 | 32 | M3502350080 | ..KUGELHAHN 11/2" II 35008 | 1 |
| 16 | M5602304040 | ..ROHRNIPPEL 23 1/2"X 40 | 1 | 33 | M5609210002 | ..WINKEL 92 1" IA90 VERZ. | 1 |
| 17 | M3611105050 | ..SCHLAUCH 1 TE 5 X 500-AO-AO | 1 | 34 | M3502601700 | ..SCHMUTZFÄNGER IG11/2"NW18/6017 | 1 |
| | | | | 35 | M3616010210 | ..LUFTENTNAHMEHAHN 1" 102 | 1 |

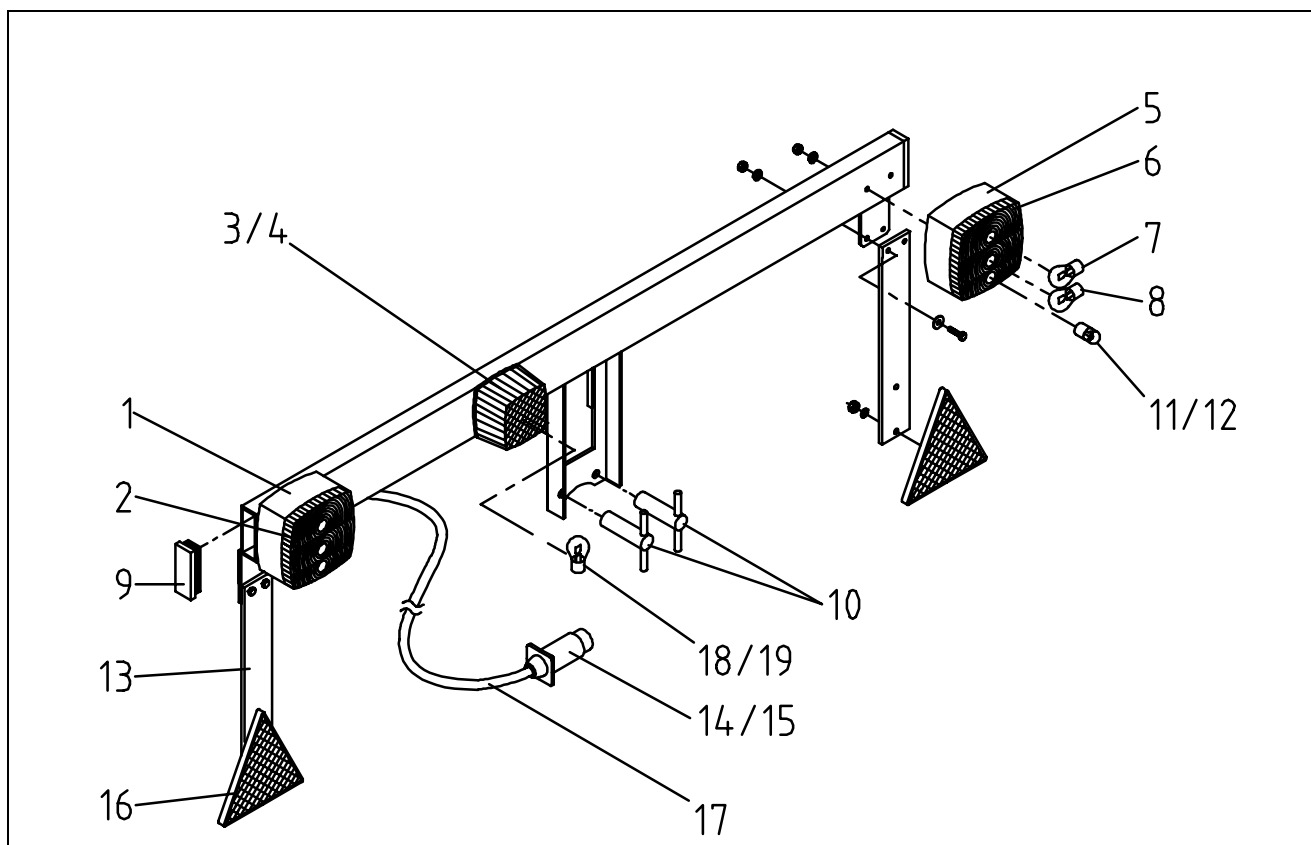


| POS | ART-NR | BEZEICHNUNG | ST | POS | ART-NR | BEZEICHNUNG | ST |
|-----|---------------|--|-----|-----|---------------|--|-----|
| POS | NO. D'ARTICLE | DÉSIGNATION | QTE | POS | NO. D'ARTICLE | DÉSIGNATION | QTE |
| REF | ARTICLE NO | DESCRIPTION | QTY | REF | ARTICLE NO | DESCRIPTION | QTY |
| 1 | M3603011132 | ..COLLIER 11-13..... | 1 | 1 | M3603011132 | ..CLIP | 1 |
| 2 | M3610803405 | ..NIPPLE F 1TE5..... | 1 | 2 | M3610803405 | ..NIPPLE FOR HOSE | 1 |
| 3 | M3517670762 | ..MANOMETRE DE PRESSION..... | 1 | 3 | M3517670762 | ..PRESSURE GAUGE | 1 |
| 4 | M3610760605 | ..ECROU BORGNE M12X1,5..... | 1 | 4 | M3610760605 | ..UNION NUT M12X1.5..... | 1 |
| 5 | M3659020624 | ..MANOMETRE - VISSAGE MAV 6-LR..... | 1 | 5 | M3659020624 | ..SCREW FITTING MAV 6-LR..... | 1 |
| 6 | M4213508000 | ..FLEXIBLE 35,0 X 8,0, 40 BAR, DRAGA 40... 1 | 1 | 6 | M4213508000 | ..HOSE 35,0 X 8,0, 40 BAR, DRAGA 40..... | 1 |
| 7 | L 85674050 | ..TAPE CLAMP | 1 | 7 | L.85674050 |CLIP 48/20 WITH SCREW 8X40 | 1 |
| 8 | M4212507000 | ..FLEXIBLE HYDRAULIQUE 25,0X7,0 12 BAR, DIN 20018..... | 1 | 8 | M4212507000 | ..HOSE HYDRAULIC 25,0 X 7,012 BAR, DIN 20018 | 1 |
| 9 | L 85662050 | ..TAPE CLAMP | 1 | 9 | L.85662050 |HOSE CLAMP 38/20 | 1 |
| 10 | M3618210210 | ..DOUILLE DE TUYAU NW 1" XAG 1"..... | 1 | 10 | M3618210210 | ..HOSE NOZZLE NW 1" XAG 1"..... | 1 |
| 11 | M3501210106 | ..RESSORT DE PRESSION POUR CLAPET ANTI-RETOUR 1210/1"..... | 1 | 11 | M3501210106 | ..PRESSURE SPRING FOR NONRETURN VALVE1210/1"..... | 1 |
| 12 | M3501210102 | ..RONDELLE DE JOINT 33,4X40X1,5 | 1 | 12 | M3501210102 | ..GASKET 33,4X40X1,5..... | 1 |
| 13 | M3501210103 | ..COUVERCLE POUR CLAPET ANTI-RETOUR1210/1"..... | 1 | 13 | M3501210103 | ..LID FOR NONRETURN VALVE 1210/1"..... | 1 |
| 14 | M3502601372 | ..TAMIS COLLECTEUR DE BOUE 1/2" NWD18 601 13/72..... | 1 | 14 | M3502601372 | ..SIEVE DIRT PAN 1/2" NWD18 601 13/72..... | 1 |
| 15 | M5613010048 | ..T-VISSAGE 130 1"X1/2X1" GALV..... | 1 | 15 | M5613010048 | ..T-FITTING 130 1"X1/2X1" GALV..... | 1 |
| 16 | M5602304040 | ..NIPPLE DE TUYAU 23 1/2" X 40 GALV..... | 1 | 16 | M5602304040 | ..BARREL NIPPLE 23 1/2" X 40 GALV..... | 1 |
| 17 | M3611105050 | ..TUYAU NW 5, L 500 MM, 1 TE 5 / A0-A0 | 1 | 17 | M3611105050 | ..HOSE NW 5, L 500 MM, 1 TE 5 / AO-AO | 1 |
| 18 | M3653820620 | ..T-VISSAGE EVT 6-L..... | 1 | 18 | M3653820620 | ..T-FITTING EVT 6-L | 1 |
| 19 | M3611105110 | ..TUYAU NW 5, L 1100, 1 TE / A0-A0 | 1 | 19 | M3611105110 | ..HOSE NW 5, L 1100, 1 TE / AO-AO | 1 |
| 20 | M3661211254 | ..DOUBLE-NIPPLE DE REDUCTION M12X1,5-R 1/2"..... | 1 | 20 | M3661211254 | ..REDUCTION DOUBLE NIPPLE M12X1,5-R 1/2" | 1 |
| 21 | M3502601300 | ..COLLECTEUR DE BOUE 1/2" NW18/6013... 1 | 1 | 21 | M3502601300 | ..DIRT PAN 1/2" NW 18/6013 | 1 |
| 22 | M3501210104 | ..RONDELLE D'ETANCHEITE POUR CLAPET ANTI-RETOUR 1210/1"..... | 1 | 22 | M3501210104 | ..CONICAL NIPPLE FOR NONRETURN VALVE1210/1"..... | 1 |
| 23 | M3501210105 | ..JOINT EN CAOUTCHOUC POUR CLAPET ANTI RETOUR 1210/1"..... | 1 | 23 | M3501210105 | ..RUBBER GASKET FOR NONRETURN VALVE1210/1" | 1 |
| 24 | M3501210101 | ..BOÎTIER POUR CLAPET ANTI RETOUR 1210/1"..... | 1 | 24 | M3501210101 | ..CASE FOR NONRETURN VALVE1210/1".... | 1 |
| 25 | M5602310060 | ..NIPPEL DE TUYAU 23 GALV. 1"X60..... | 1 | 25 | M5602310060 | ..BARREL NIPPLE 23 GALV. 1"X60 | 1 |
| 26 | M3502350060 | ..ROBINET DE RETENUE 1" II 35006 | 1 | 26 | M3502350060 | ..BALL VALVE 1" II 35006 | 1 |
| 27 | M3618135210 | ..DOUILLE DE TUYAU NW 35 X AG 1"..... | 1 | 27 | M3618135210 | ..HOSE NOZZLE NW 35 X AG 1" | 1 |
| 28 | M5624114100 | ..RACCORD REDUCTEUR 241 GALV. 11/2"X1" | 1 | 28 | M5624114100 | ..REDUCER 241 GALV. 11/2"X1" | 1 |
| 29 | M3501210140 | ..CLAPET ANTI-RETOUR..... | 1 | 29 | M3501210140 | ..NONRETURN VALVE | 1 |
| 30 | M5602314062 | ..NIPPLE DE TUYAU 23 1 1/2"X60 GALV..... | 1 | 30 | M5602314062 | ..BARREL NIPPLE 23 1 1/2"X60 GALV..... | 1 |
| 31 | M5602310042 | ..NIPPLE DE TUYAU 23 1"X40 GALV..... | 1 | 31 | M5602310042 | ..BARREL NIPPLE 23 1"X40 GALV..... | 1 |
| 32 | M3502350080 | ..ROBINET A ROTULE 1 1/2" | 1 | 32 | M3502350080 | ..BALL VALVE 1 1/2"..... | 1 |
| 33 | M5609210002 | ..ANGLE 92 1" GALV..... | 1 | 33 | M5609210002 | ..ANGLE 92 1" GALV..... | 1 |
| 34 | M3502601700 | ..COLLECTEUR DE BOUE IG 1 1/2" | 1 | 34 | M3502601700 | ..DIRT PAN IG 1 1/2" | 1 |
| 35 | M3616010210 | ..ROBINET DE PRELEVEMENT D'AIR 1" 102 1 | 1 | 35 | M3616010210 | ..AIR-DRAW-OFF VALVE 1" 102..... | 1 |



BILD, DESSIN, PICTURE: 43015.WMF

| POS | ART-NR | BEZEICHNUNG | ST | POS | ART-NR. | BEZEICHNUNG | ST |
|-----|--------------|----------------------------------|-----|-----|--------------|--------------------------|-----|
| POS | NO.D'ARTICLE | DÉSIGNATION | QTÉ | POS | NO.D'ARTICLE | DÉSIGNATION | QTÉ |
| REF | ARTICLE NO | DESCRIPTION | QTY | REF | ARTICLE NO | DESCRIPTION | QTY |
| 1 | M2116131301 | BATTERIE-KABEL PLUS DC260/43 | 1 | 1 | M2116131301 | CABLE DE BATTERIE | 1 |
| 2 | M2116154861 | KLEMME FÜR BATTERIE DC260/43 | 1 | 2 | M2116154861 | COLLIER | 1 |
| 3 | M2116156853 | KABELBAUM DC260/33+43 F3L 1011 F | 1 | 3 | M2116156853 | FAISCEAU, CABLES | 1 |
| 4 | M2122502382 | BATTERIE-KABEL MINUS DC260/43 | 1 | 4 | M2122502382 | CABLE DE BATTERIE | 1 |
| 5 | M2116154994 | KABELBAUM DC260/33+43 | 1 | 5 | M2116154994 | FAISCEAU, CABLES | 1 |
| 6 | M5033100202 | SCHRAUBE D 933 M 10X 20 | 1 | 6 | M5033100202 | BOULON A TETE HEXAGONALE | 1 |
| 7 | M3100566182 | BATTERIE DC 260/3-43 | 1 | 7 | M3100566182 | FLUIDE BATTERIE | 1 |
| 1 | M2116131301 | BATTERY CABLE | 1 | 1 | M2116131301 | BATTERY CABLE | 1 |
| 2 | M2116154861 | CLAMP | 1 | 2 | M2116154861 | CLAMP | 1 |
| 3 | M2116156853 | WIRE HARNESS | 1 | 3 | M2116156853 | WIRE HARNESS | 1 |
| 4 | M2122502382 | BATTERY CABLE | 1 | 4 | M2122502382 | BATTERY CABLE | 1 |
| 5 | M2116154994 | WIRE HARNESS | 1 | 5 | M2116154994 | WIRE HARNESS | 1 |
| 6 | M5033100202 | HEXAGON BOLT | 1 | 6 | M5033100202 | HEXAGON BOLT | 1 |
| 7 | M3100566182 | BATTERY WET | 1 | 7 | M3100566182 | BATTERY WET | 1 |

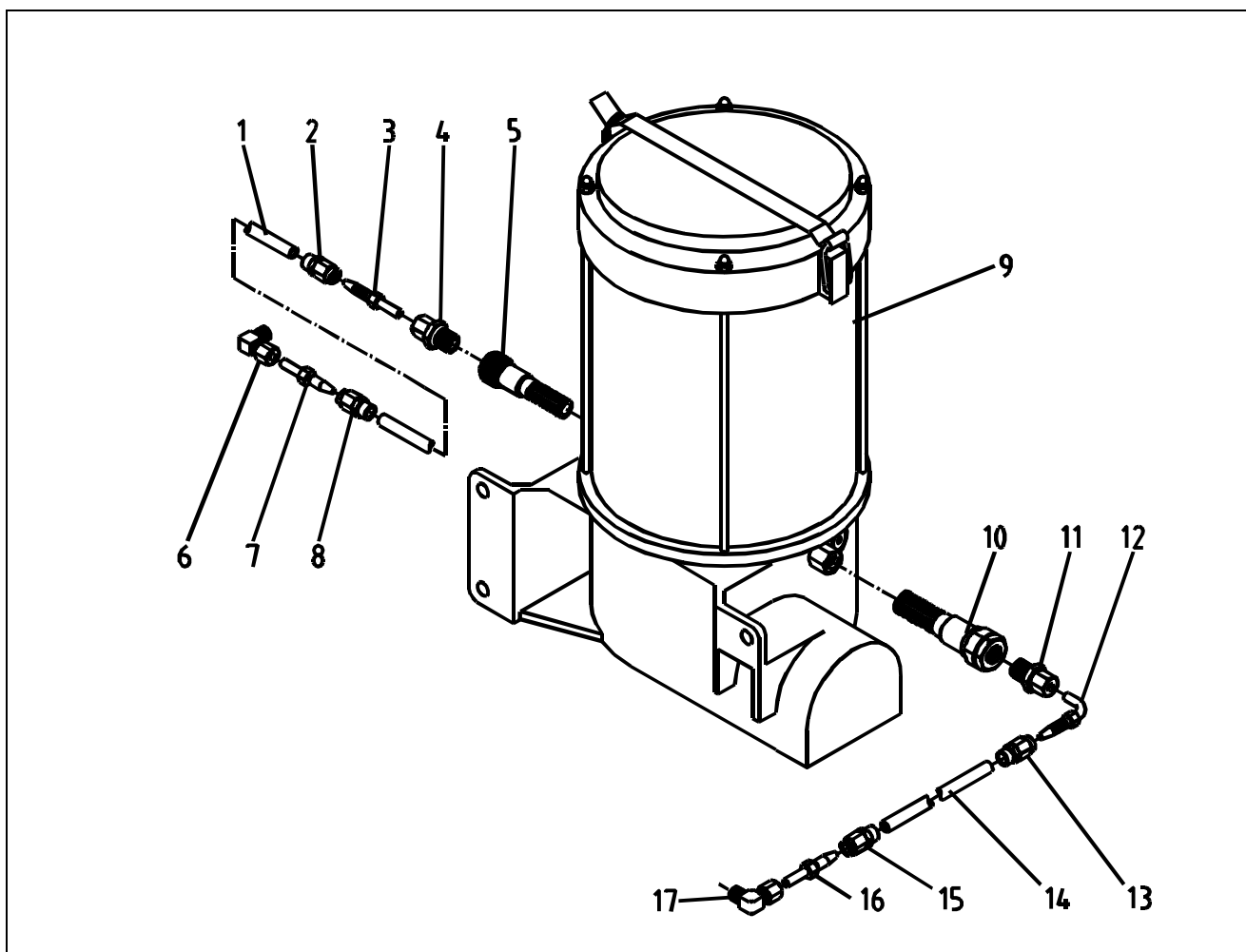


BILD, DESSIN, PICTURE: 43008.WMF

| POS | ART-NR | BEZEICHNUNG | ST | POS | ART-NR. | BEZEICHNUNG | ST |
|-----|--------------|--------------------------------------|-----|-----|--------------|-----------------------------------|-----|
| POS | NO.D'ARTICLE | DÉSIGNATION | QTÉ | POS | NO.D'ARTICLE | DÉSIGNATION | QTÉ |
| REF | ARTICLE NO | DESCRIPTION | QTY | REF | ARTICLE NO | DESCRIPTION | QTY |
| 0 | M3120000533 | BELEUCHTUNGSBALKEN EB 12V | 1 | 6 | M3120000540 | VERRE DE FEU ARRIERE PASSANT | 1 |
| 0 | M3120000532 | BELEUCHTUNGSBALKEN EB 24V | 1 | 7 | M3120012212 | LAMPE A INCANDESCENCE,B 12V 21 W | 4 |
| 1 | M3120000538 | RÜCKLEUCHTE LINKS NEU | 1 | 8 | M3120024212 | LAMPE A INCANDESCENCE,24 V 21 V | 4 |
| 2 | M3120000540 | RÜCKLEUCHTENGL.NEU BEIDS.VERW | 1 | 9 | M3120000537 | COUVERCLE DE PROTECTION | 2 |
| 3 | M3120001022 | NEBELSCHLUß-LEUCHTE KOMPL | 1 | 10 | M5205120002 | ECROU PAPILLON GALVA | 2 |
| 4 | M3120001021 | GLAS FÜR NEBELSCHLUSSLEUCHTE | 1 | 11 | M3120024102 | AMPOULE ECLAIRAGE 24V 10W | 2 |
| 5 | M3120000539 | RÜCKLEUCHTE RECHTS NEU | 1 | 12 | M3120012101 | LAMPE A INCANDESCENCE,K 12 V 10 W | 2 |
| 6 | M3120000540 | RÜCKLEUCHTENGL.NEU BEIDS.VERW | 1 | 13 | M3120003600 | FLEXIBLE | 2 |
| 7 | M3120012212 | BIRNE B 12V 21W | 4 | 14 | M3120071200 | FICHE POUR ECLAIRAGE | 1 |
| 8 | M3120024212 | BIRNE 24V 21W | 4 | 15 | M3122802500 | PRISE DE COURANT | 1 |
| 9 | M3120000537 | SCHUTZKAPPE F. BELEUCHTUNGSB. | 2 | 16 | M3120001020 | REFLECTEUR TRIANGULAIRE | 2 |
| 10 | M5205120002 | FLÜGELMUTTER F.BELEUCHTUNGSB. | 2 | 17 | M3120000536 | KABEL | 1 |
| 11 | M3120024102 | BIRNE B 24V 10W | 2 | 18 | M3120024212 | BIRNE 24V 21W | 1 |
| 12 | M3120012101 | BIRNE K 12V 10W | 2 | 19 | M3120012212 | BIRNE B 12V 21W | 1 |
| 13 | M3120003600 | PENDELBAND 400 MM | 2 | 0 | M3120000533 | LIGHTING BRACKET, COMPLETE, 12 V | 1 |
| 14 | M3120071200 | STECKER F. BELBA ST 7120 | 1 | 0 | M3120000532 | LIGHTING BRACKET, COMPLETE, 24 V | 1 |
| 15 | M3122802500 | STECKER 24V7P8JA002256001 | 1 | 1 | M3120000538 | TAIL LIGHT, LEFT | 1 |
| 16 | M3120001020 | DREIECKRÜCKSTRAHLER DR 102 | 2 | 2 | M3120000540 | TAIL LIGHT GLASS | 1 |
| 17 | M3120000536 | KABEL | 1 | 3 | M3120001022 | TAIL FOGLIGHT | 1 |
| 18 | M3120024212 | BIRNE 24V 21W | 1 | 4 | M3120001021 | TAIL FOGLIGHT GLASS | 1 |
| 19 | M3120012212 | BIRNE B 12V 21W | 1 | 5 | M3120000539 | BACK LIGHT RIGHT NEW | 1 |
| 0 | M3120000533 | RAMPE D'ECLAIRAGE, 12 V | 1 | 6 | M3120000540 | TAIL LIGHT GLASS | 1 |
| 0 | M3120000532 | RAMPE D'ECLAIRAGE, 24 V | 1 | 7 | M3120012212 | LIGHT BULB,B 12V 21 W | 4 |
| 1 | M3120000538 | FEU ARRIERE GAUCHE | 1 | 8 | M3120024212 | LIGHT BULB,24 V 21 W | 4 |
| 2 | M3120000540 | VERRE DE FEU ARRIERE PASSANT | 1 | 9 | M3120000537 | PROTECTING CAP | 2 |
| 3 | M3120001022 | ANTI BROUILLARD COMPLET SANS AMPOULE | 1 | 10 | M5205120002 | WING NUT | 2 |
| 4 | M3120001021 | VERRE D'ANTI BROUILLARD | 1 | 11 | M3120024102 | BULB, LIGHT | 2 |
| 5 | M3120000539 | REFLECTEUR DROITE | 1 | 12 | M3120012101 | LIGHT BULB,K 12 V 10 W | 2 |
| | | | | 13 | M3120003600 | REFLECTOR SUSPENSION | 2 |



| <u>POS</u> | <u>ART-NR</u> | <u>BEZEICHNUNG</u> | <u>ST</u> | <u>POS</u> | <u>ART-NR.</u> | <u>BEZEICHNUNG</u> | <u>ST</u> |
|------------|---------------------|---------------------------|------------|------------|---------------------|--------------------|------------|
| <u>POS</u> | <u>NO.D'ARTICLE</u> | <u>DÉSIGNATION</u> | <u>QTÉ</u> | <u>POS</u> | <u>NO.D'ARTICLE</u> | <u>DÉSIGNATION</u> | <u>QTÉ</u> |
| <u>REF</u> | <u>ARTICLE NO</u> | <u>DESCRIPTION</u> | <u>QTY</u> | <u>REF</u> | <u>ARTICLE NO</u> | <u>DESCRIPTION</u> | <u>QTY</u> |
| 14 | M3120071200 | PLUG FOR ILLUMINATION | 1 | | | | |
| 15 | M3122802500 | PLUG CONNECTOR | 1 | | | | |
| 16 | M3120001020 | TRIANGULAR TAIL REFLECTOR | 2 | | | | |
| 17 | M3120000536 | CABLE | 1 | | | | |
| 18 | M3120024212 | LIGHT BULB,24 V 21 W | 1 | | | | |
| 19 | M3120012212 | LIGHT BULB,B 12V 21 W | 1 | | | | |



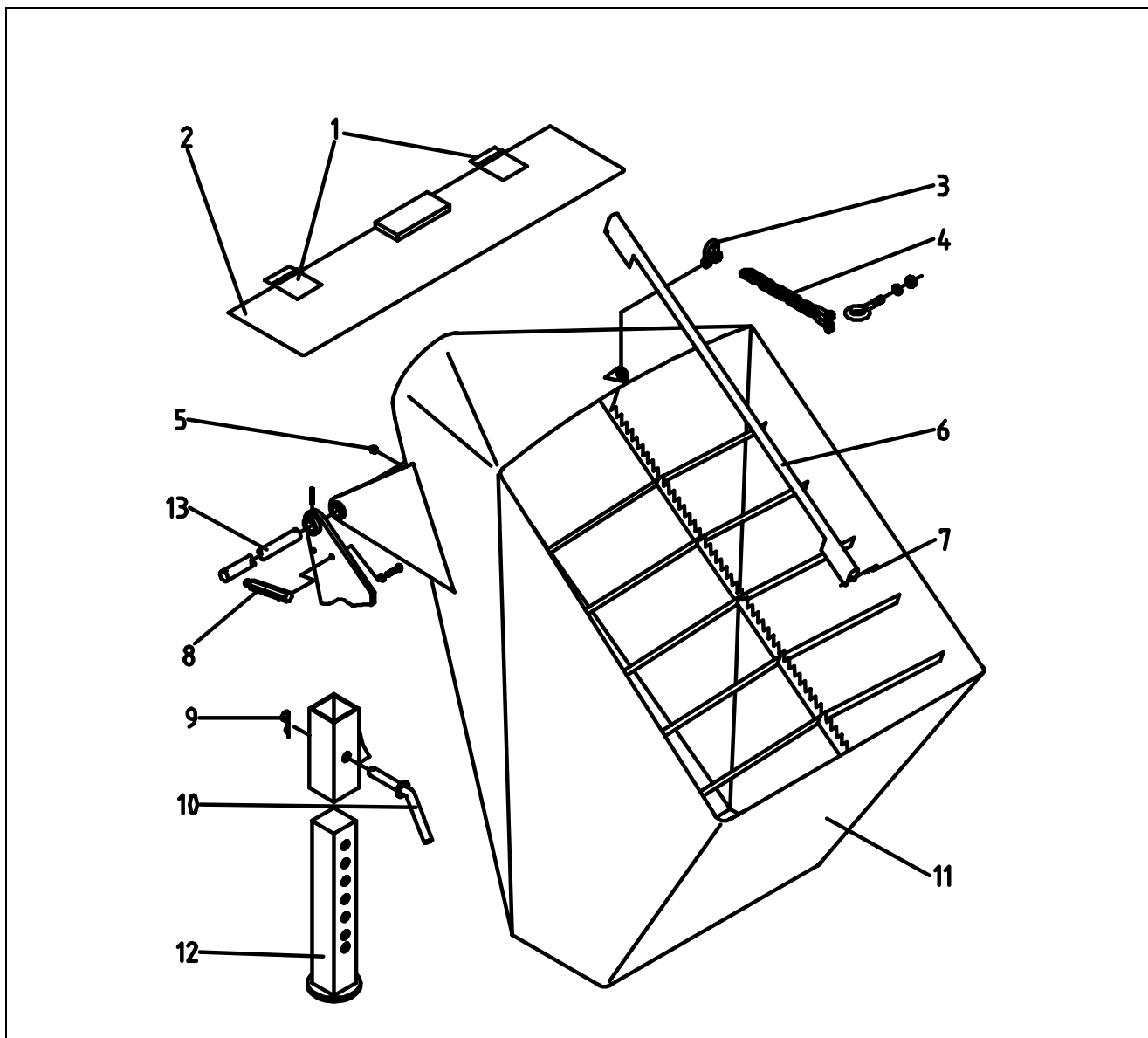
BILD, DESSIN, PICTURE: 43007_A.WMF

| POS | ART-NR | BEZEICHNUNG | ST | POS | ART-NR. | BEZEICHNUNG | ST |
|-----|--------------|--------------------------------|-----|-----|--------------|------------------------|-----|
| POS | NO.D'ARTICLE | DÉSIGNATION | QTÉ | POS | NO.D'ARTICLE | DÉSIGNATION | QTÉ |
| REF | ARTICLE NO | DESCRIPTION | QTY | REF | ARTICLE NO | DESCRIPTION | QTY |
| 1 | M5982750091 | HOCHDRUCKSCHLAUCH | 1 | 8 | M5985354001 | DOUILLE FILETEE | 1 |
| 2 | M5985354001 | SCHRAUBHÜLSEN | 1 | 9 | M5900000001 | POMPE A PISTON | 1 |
| 3 | M5985338000 | ROHRSTUTZEN | 1 | 10 | M5900000007 | POMPE | 1 |
| 4 | M5940641300 | RED-STÜCK M14X1,5-6MMÍ | 1 | 11 | M5940641300 | PIECE DE REDUCTION | 1 |
| 5 | M5900000006 | PUMPENELEMENT KFG 1.U 1 | 1 | 12 | M5985338003 | ENTREE DE TUBE | 1 |
| 6 | M5940642500 | WINKELVERSCHRAUBUNG M10X1K | 1 | 13 | M5985354001 | DOUILLE FILETEE | 1 |
| 7 | M5985338000 | ROHRSTUTZEN | 1 | 14 | M5982750091 | TUYAU A HAUTE PRESSION | 1 |
| 8 | M5985354001 | SCHRAUBHÜLSEN | 1 | 15 | M5985354001 | DOUILLE FILETEE | 1 |
| 9 | M5900000001 | KOLBENPUMPE,ZENTRALSCHM.260/43 | 1 | 16 | M5985338000 | ENTREE DE TUBE | 1 |
| 10 | M5900000007 | PUMPENELEMENT KFG 1.U 4 | 1 | 17 | M5940642500 | VISSAGE | 1 |
| 11 | M5940641300 | RED-STÜCK M14X1,5-6MMÍ | 1 | 1 | M5982750091 | HIGH-PRESSURE HOSE | 1 |
| 12 | M5985338003 | ROHRSTUTZEN 90Ø | 1 | 2 | M5985354001 | SCREW BUSHING | 1 |
| 13 | M5985354001 | SCHRAUBHÜLSEN | 1 | 3 | M5985338000 | PIPE SOCKET | 1 |
| 14 | M5982750091 | HOCHDRUCKSCHLAUCH | 1 | 4 | M5940641300 | REDUCER | 1 |
| 15 | M5985354001 | SCHRAUBHÜLSEN | 1 | 5 | M5900000006 | PUMP ELEMENT | 1 |
| 16 | M5985338000 | ROHRSTUTZEN | 1 | 6 | M5940642500 | SCREW CONNECTION | 1 |
| 17 | M5940642500 | WINKELVERSCHRAUBUNG M10X1K | 1 | 7 | M5985338000 | PIPE SOCKET | 1 |
| 1 | M5982750091 | TUYAU A HAUTE PRESSION | 1 | 8 | M5985354001 | SCREW BUSHING | 1 |
| 2 | M5985354001 | DOUILLE FILETEE | 1 | 9 | M5900000001 | RECIPROCATING PUMP | 1 |
| 3 | M5985338000 | ENTREE DE TUBE | 1 | 10 | M5900000007 | PUMP ELEMENT | 1 |
| 4 | M5940641300 | PIECE DE REDUCTION | 1 | 11 | M5940641300 | REDUCER | 1 |
| 5 | M5900000006 | POMPE | 1 | 12 | M5985338003 | PIPE SOCKET | 1 |
| 6 | M5940642500 | VISSAGE | 1 | 13 | M5985354001 | SCREW BUSHING | 1 |
| 7 | M5985338000 | ENTREE DE TUBE | 1 | 14 | M5982750091 | HIGH-PRESSURE HOSE | 1 |

Ersatzteilliste, liste des pièces détachées, spare part list
S01 ZENTRALSCHMIERANLAGE / DISPOSITIF DE GRAISSAGE /
CENTRAL / CENTRAL LUBRICATING SYSTEM



| <u>POS</u> | <u>ART-NR</u> | <u>BEZEICHNUNG</u> | <u>ST</u> | <u>POS</u> | <u>ART-NR.</u> | <u>BEZEICHNUNG</u> | <u>ST</u> |
|------------|---------------------|--------------------|------------|------------|---------------------|--------------------|------------|
| <u>POS</u> | <u>NO.D'ARTICLE</u> | <u>DÉSIGNATION</u> | <u>QTÉ</u> | <u>POS</u> | <u>NO.D'ARTICLE</u> | <u>DÉSIGNATION</u> | <u>QTÉ</u> |
| <u>REF</u> | <u>ARTICLE NO</u> | <u>DESCRIPTION</u> | <u>QTY</u> | <u>REF</u> | <u>ARTICLE NO</u> | <u>DESCRIPTION</u> | <u>QTY</u> |
| 15 | M5985354001 | SCREW BUSHING | 1 | | | | |
| 16 | M5985338000 | PIPE SOCKET | 1 | | | | |
| 17 | M5940642500 | SCREW CONNECTION | 1 | | | | |

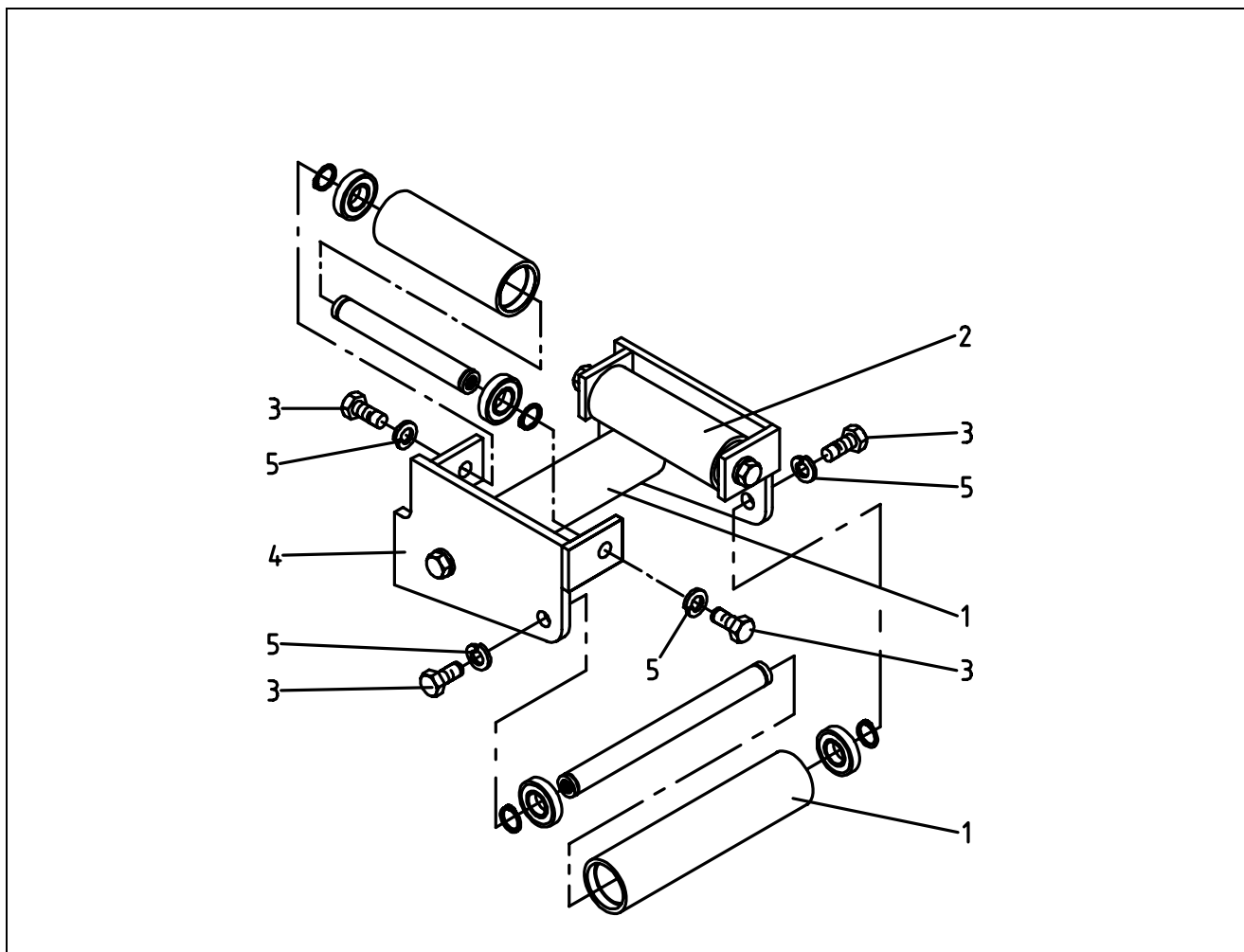


BILD, DESSIN, PICTURE: 43009.WMF

| POS | ART-NR | BEZEICHNUNG | ST | POS | ART-NR. | BEZEICHNUNG | ST |
|-----|--------------|------------------------------------|-----|-----|--------------|--|-----|
| POS | NO.D'ARTICLE | DÉSIGNATION | QTÉ | POS | NO.D'ARTICLE | DÉSIGNATION | QTÉ |
| REF | ARTICLE NO | DESCRIPTION | QTY | REF | ARTICLE NO | DESCRIPTION | QTY |
| 1 | M1805005215 | ..SCHARNIER/ABDECKPLA. DC260/43 | 1 | 5 | M6034161010 | ..GRAISSEUR H1 6KT M10X1,0 | 1 |
| 2 | M1805005213 | ..ABDECKPL/RIEMENTLAS.BESCHICK | 1 | 6 | M1800612210 | ..PLAQUE DE COUVERTURE 06-12-21 | 1 |
| 3 | M5301063122 | ..SCHÄKEL 82101 0,63X12 VERZ. | 1 | 7 | M5399000302 | ..FICHE | 1 |
| 4 | M5363080002 | ..KETTE B/S Í 8MM VERZ. | 1 | 8 | M1800620170 | ..SUPPORT FEU ARRIERE POUR SKIP ET SCRAPETTE | 1 |
| 5 | M6034161010 | ..FETTNIPPEL H1 6KT M10X1,0 | 1 | 9 | M5399000502 | ..FICHE 5,0 | 1 |
| 6 | M1800612210 | ..ABDECKUNG/ZACKENLEISTE-BESCH. | 1 | 10 | M1800701100 | ..FICHE POUR PIED-SUPPORT 07-01-10 | 1 |
| 7 | M5399000302 | ..FEDERSTECKER VERZINKT 3,0 | 1 | 11 | M1800620020 | ..SKIP 06-20-02 | 1 |
| 8 | M1800620170 | ..HALTER F.LEU-TRÄ.BES.NEUE AUSF. | 1 | 12 | M1800701030 | ..PIED-SUPPORT POUR SKIP | 1 |
| 9 | M5399000502 | ..FEDERSTECKER VERZINKT 5,0 | 1 | 13 | M1800612150 | ..BOULON 25X545 POUR SKIP | 1 |
| 10 | M1800701100 | ..STECKER F.STÜTZF.NEUE AUSFÜHR. | 1 | 1 | M1805005215 | ..COVERING PLATE | 1 |
| 11 | M1800620020 | ..BESCHICKERKÜBEL NEUE AUSFÜHR. | 1 | 2 | M1805005213 | ..ACCES PANEL | 1 |
| 12 | M1800701030 | ..STÜTZFUSS F.BESCHI.NEUE AUSF. | 1 | 3 | M5301063122 | ..SHACKLE | 1 |
| 13 | M1800612150 | ..BOLZEN 25X545/BESCHICKER | 1 | 4 | M5363080002 | ..CHAIN | 1 |
| 1 | M1805005215 | ..CHARNIERE / PLAQUE DE COUVERTURE | 1 | 5 | M6034161010 | ..GREASE NIPPLE H1 HEX. M10X1.0 | 1 |
| 2 | M1805005213 | ..PLAQUE DE COUVERTURE/ | 1 | 6 | M1800612210 | ..COVERING PLATE 06-12-21 | 1 |
| 3 | M5301063122 | ..MANILLE DE CHAINE | 1 | 7 | M5399000302 | ..CONNECTOR | 1 |
| 4 | M5363080002 | ..CHAINE DIN 763C | 1 | | | | |

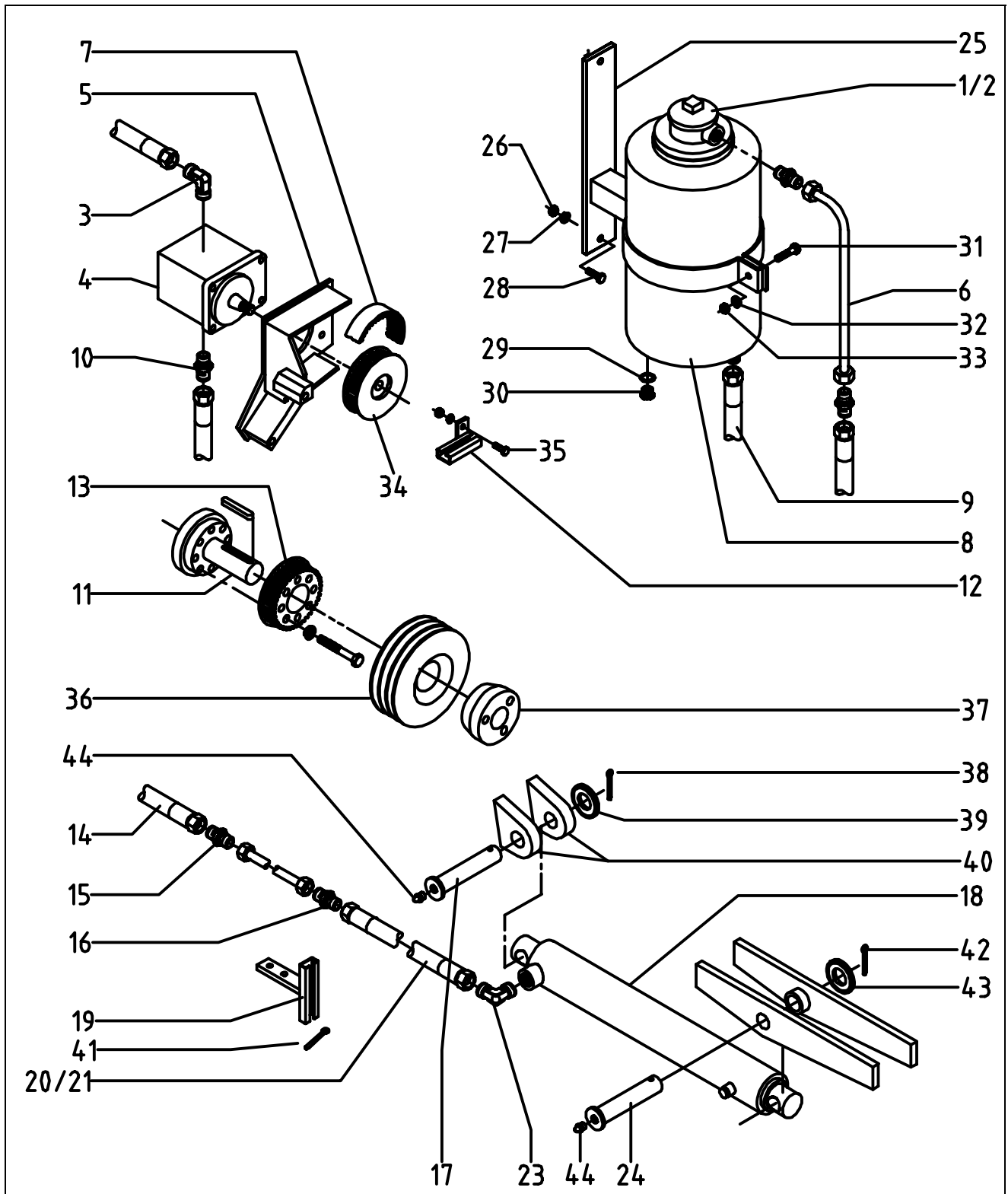


| <u>POS</u> | <u>ART-NR</u> | <u>BEZEICHNUNG</u> | <u>ST</u> | <u>POS</u> | <u>ART-NR.</u> | <u>BEZEICHNUNG</u> | <u>ST</u> |
|------------|---------------------|---|------------|------------|---------------------|--------------------|------------|
| <u>POS</u> | <u>NO.D'ARTICLE</u> | <u>DÉSIGNATION</u> | <u>QTÉ</u> | <u>POS</u> | <u>NO.D'ARTICLE</u> | <u>DÉSIGNATION</u> | <u>QTÉ</u> |
| <u>REF</u> | <u>ARTICLE NO</u> | <u>DESCRIPTION</u> | <u>QTY</u> | <u>REF</u> | <u>ARTICLE NO</u> | <u>DESCRIPTION</u> | <u>QTY</u> |
| 8 | M1800620170 | TAIL LIGHT HOLDER FOR CHARGER AND SCRAPER..... | 1 | | | | |
| 9 | M5399000502 | SPRING HAIRPIN, GALVANISED 5 MM | 1 | | | | |
| 10 | M1800701100 | CONNECTOR FOR SUSTAINER..... | 1 | | | | |
| 11 | M1800620020 | CHARGER 06-20-02 | 1 | | | | |
| 12 | M1800701030 | SUSTAINER FOR CHARGER 07-01-03 | 1 | | | | |
| 13 | M1800612150 | BOLT 25X545 FOR CHARGING DEVICE | 1 | | | | |



BILD, DESSIN, PICTURE: 43051.WMF

| POS | ART-NR. | BEZEICHNUNG | ST | POS | ART-NR. | BEZEICHNUNG | ST |
|-----|--------------|--|-----|-----|--------------|-------------|-----|
| POS | NO.D'ARTICLE | DÉSIGNATION | QTÉ | POS | NO.D'ARTICLE | DÉSIGNATION | QTÉ |
| REF | ARTICLE NO | DESCRIPTION | QTY | REF | ARTICLE NO | DESCRIPTION | QTY |
| 0 | M 1800815110 | ..ROLLENBOCK KPL | 1 | | | | |
| 1 | M 1800815132 | ..SEILR.GROß B/SCH 93 KPL.M.ACHSE..... | 2 | | | | |
| 2 | M 1800815131 | ..SEILR.KLEIN B/SCH 93 KPL.M.ACHSE..... | 2 | | | | |
| 3 | M 5033120252 | ..SCHRAUBE D 933 M 12X 25 | 8 | | | | |
| 4 | M 1800815120 | ..SEITENTEIL F. ROLLENBOCK B/SCH 93 | 1 | | | | |
| 5 | M 5327122002 | ..FEDERRING D 127A 12,2 | 8 | | | | |
| 0 | M 1800815110 | ..SUPPORT A ROULEAUX CPL. SKIP/SCRAPETTE | 1 | | | | |
| 1 | M 1800815132 | ..POULIE A GORGE 195X50 CPL..... | 2 | | | | |
| 2 | M 1800815131 | ..POULIE A GORGE, 145X50 CPL..... | 2 | | | | |
| 3 | M 5033120252 | ..VIS D933 - 8,8 M12X25 | 8 | | | | |
| 4 | M 1800815120 | ..PARTIE LATÉRALE POUR SUPPORT A ROULEAUX | 1 | | | | |
| 5 | M 5327122002 | ..RONDELLE GALV. D127A 12,2 | 8 | | | | |
| 0 | M 1800815110 | ..ROLLER BLOCK CPL. SKIP/SCRAPER | 1 | | | | |
| 1 | M 1800815132 | ..ROPE PULLEY 195X50 CPL..... | 2 | | | | |
| 2 | M 1800815131 | ..ROPE PULLEY 145X50 CPL..... | 2 | | | | |
| 3 | M 5033120252 | ..SCREW D 933-8.8 M12X25..... | 8 | | | | |
| 4 | M 1800815120 | ..SIDE PART FOR ROLLER BLOCK..... | 1 | | | | |
| 5 | M 5327122002 | ..SPRING RING GALV. D 127A 12.2 | 8 | | | | |



BILD, DESSIN, PICTURE: 43010.WMF

| POS | ART-NR | BEZEICHNUNG | ST | POS | ART-NR. | BEZEICHNUNG | ST |
|-----|--------------|---------------------------------------|-----|-----|--------------|-----------------------------------|-----|
| POS | NO.D'ARTICLE | DÉSIGNATION | QTÉ | POS | NO.D'ARTICLE | DÉSIGNATION | QTÉ |
| REF | ARTICLE NO | DESCRIPTION | QTY | REF | ARTICLE NO | DESCRIPTION | QTY |
| 1 | M3205429022 | ...RÜCKLAUFFILTER, ÖLBEHÄLTER B/SCH.. | 1 | 5 | M1805020030 | ..PUMPENKONSOLE..... | 1 |
| 2 | M3205429023 | ...MANOMETER 0-4 BAR | 1 | 6 | M3611313210 | ..SCHLAUCH HD NW 13, 2100MM,..... | 1 |
| 3 | M3215157271 | ...VERSCHRAUBUNG..... | 1 | 7 | M4146408020 | ..KEILRIEMEN DC260/43B..... | 1 |
| 4 | M3205102451 | ...HY-PUMPE DC 260/43 B+S | 1 | 8 | M3205429024 | ..HYDRAULIK-ÖLBEHÄLTER | 1 |

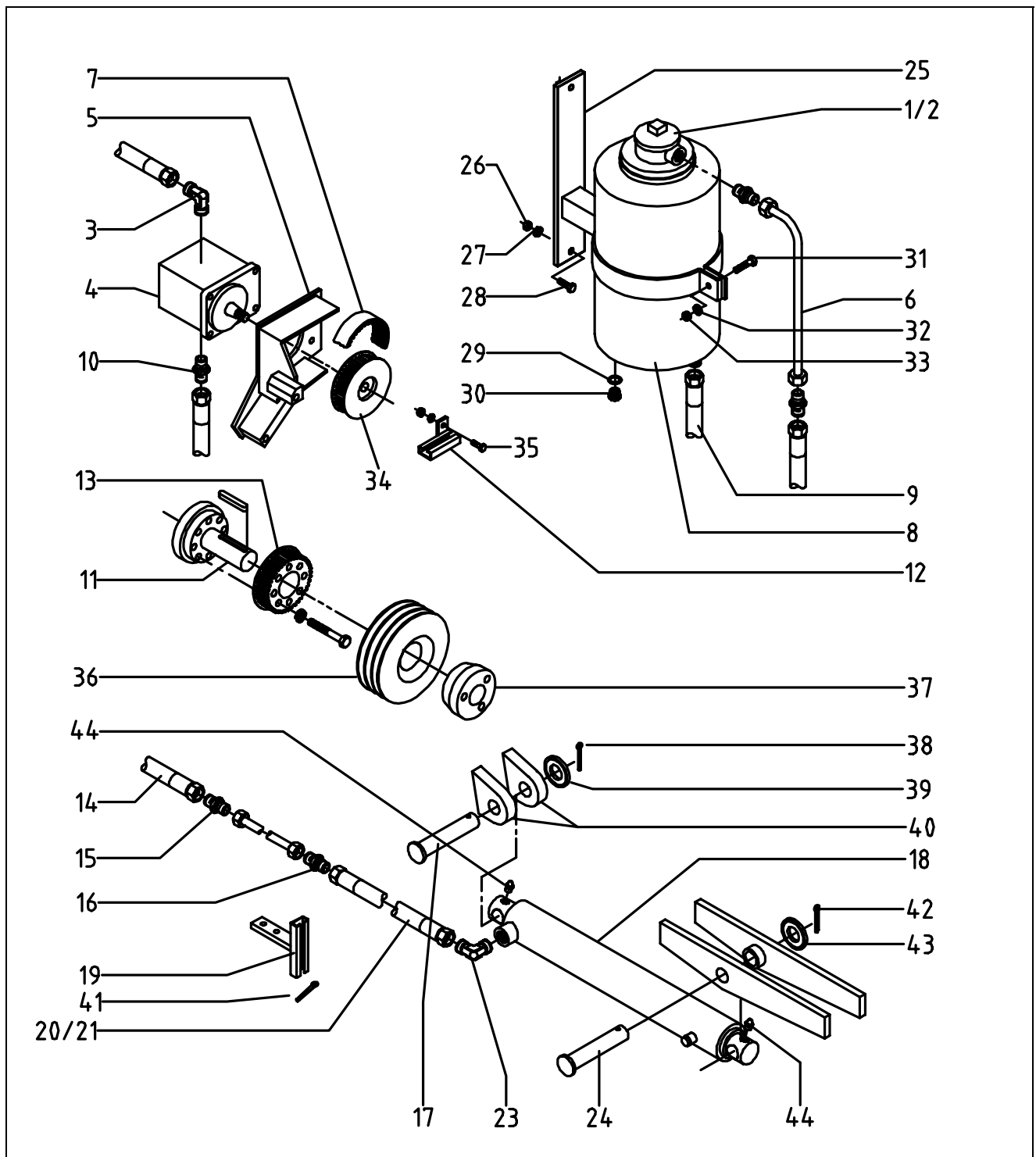


| POS | ART-NR | BEZEICHNUNG | ST | POS | ART-NR. | BEZEICHNUNG | ST |
|-----|--------------|--|-----|-----|--------------|---|-----|
| POS | NO.D'ARTICLE | DÉSIGNATION | QTÉ | POS | NO.D'ARTICLE | DÉSIGNATION | QTÉ |
| REF | ARTICLE NO | DESCRIPTION | QTY | REF | ARTICLE NO | DESCRIPTION | QTY |
| 9 | M3611320115 | SCHLAUCH, NW 20, L 1150 MM | 1 | 17 | M1800612120 | BOULON 25 X 125 MM AVEC NIPPLE DE GRAISSAGE | 1 |
| 10 | M3215157269 | VERSCHRAUBUNG | 1 | 18 | M3205303159 | CYLINDRE HYDRAULIQUE DC 260/43+54 ETNIPPLE DE GRAISSAGE | 1 |
| 11 | M1805020050 | ZAPFENANTRIEBSFLANSCH | 1 | 19 | M1172121500 | TUBE 12 X 1,5 | 1 |
| 12 | M3663711000 | TRAGSCHIENE TS 096 | 1 | 20 | M3661031201 | COLLIER | 1 |
| 13 | M1805020040 | ZAHNSCHEIBE DC260/43 B/S | 1 | 21 | M3611510070 | TUYAU D' AIR, NW10, L 700 MM | 1 |
| 14 | M3611510130 | SCHLAUCH NW10, L 1300 MM | 1 | 23 | M3666201224 | VISSAGE A VIS | 1 |
| 15 | M3655201232 | GERADE-EINSCHRAUB-VERSCHRAUBUNG GE 12-SM | 1 | 24 | M1800612120 | BOULON 25 X 125 MM AVEC NIPPLE DE GRAISSAGE | 1 |
| 16 | M3655201232 | GERADE-EINSCHRAUB-VERSCHRAUBUNG GE 12-SM | 1 | 25 | M1805020540 | SERRE/RESERVOIR D'HUILE A PARTIR DE 11/92 | 1 |
| 17 | M1800612120 | BOLZEN 25 X 125 MM, SCHMIERNIPPEL | 1 | 26 | M5234080002 | ECROU, D 934-8 M 8 | 1 |
| 18 | M3205303159 | HY-ZYLINDER DC 260/43+54 UND ABSCHMIERNIPPEL AB 8/91 | 1 | 27 | M5327082002 | RONDELLE D 127A 8,2 | 1 |
| 19 | M1172121500 | ROHR 12 X 1,5 | 1 | 28 | M5033080252 | VIS A SIX PANS | 1 |
| 20 | M3661031201 | STAUFSCHELLE | 1 | 29 | M5303172115 | ANNEAU DE CUIVRE 17X21X1,5 | 1 |
| 21 | M3611510070 | SCHLAUCH NW 10, L 700 MM | 1 | 30 | M5010003038 | VIS DE FERMETURE D 910 R 3/8" | 1 |
| 23 | M3666201224 | W-EINSCHRAUB-VERSCHRAUB-UNG WE 12-LR 1/2" | 1 | 31 | M5033080352 | VIS A SIX PANS M 8 X 35, DIN 933 | 1 |
| 24 | M1800612120 | BOLZEN 25 X 125 MM, MIT SCHMIERNIPPEL | 1 | 32 | M5327082002 | RONDELLE D 127A 8,2 | 1 |
| 25 | M1805020540 | KLEMME/ÖLBEHÄLTER NEU AB 11/92 | 1 | 33 | M5234080002 | ECROU, D 934-8 M 8 | 1 |
| 26 | M5234080002 | MUTTER D 934-8 M 8 | 1 | 34 | M1805020041 | POULIE POUR POMPE HYDRAULIQUE DC 260/43 | 1 |
| 27 | M5327082002 | FEDERRING D 127A 8,2 | 1 | 35 | M3661031201 | COLLIER | 1 |
| 28 | M5033080252 | SECHSKANTSCHRAUBE D 933 M 8 X 25 | 1 | 36 | M4012151180 | POULIE A GORGE CONIQUE TL-SPA 118 X 5 | 1 |
| 29 | M5303172115 | KUPFERRING 17X21X1,5 | 1 | 37 | M4029201235 | DOUILLE DE SERRAGE TL 2012/35 | 1 |
| 30 | M5010003038 | BLINDSTOPFEN D 910 R 3/8" | 1 | 38 | M5394063502 | CLAVETTE GALV. D 94 6,3 X 50 | 1 |
| 31 | M5033080352 | SECHSKANTSCHRAUBE M 8 X 35 DIN 933 | 1 | 39 | M5325250002 | RONDELLE GALV. D 125 25,0 | 1 |
| 32 | M5327082002 | FEDERRING D 127A 8,2 | 1 | 40 | M1800620100 | ATTACHE 06-20-10 | 2 |
| 33 | M5234080002 | MUTTER D 934-8 M 8 | 1 | 41 | M3661031201 | COLLIER | 1 |
| 34 | M1805020041 | ZAHNRIEMENSCHLEIBE F. HYDRAULIK-PUMPE DC 260/43 | 1 | 42 | M5394063502 | CLAVETTE GALV. D 94 6,3 X 50 | 1 |
| 35 | M3661031201 | STAUFSCHELLE | 1 | 43 | M5325250002 | RONDELLE GALV. D 125 25,0 | 1 |
| 36 | M4012151180 | KEILRIEMENSCHLEIBE TL-SPA 118 X 5 | 1 | 44 | M6034161010 | GRAISSEUR H1 6KT M10X1,0 | 2 |
| 37 | M4029201235 | SPANNBUCHSE TL 2012/35 | 1 | 1 | M3205429022 | RETURN FILTER - OIL TANK F/S | 1 |
| 38 | M5394063502 | SPLINT D 94 6,3 X 50 VERZ. | 1 | 2 | M3205429023 | PRESSURE GAUGE 0-4 BAR | 1 |
| 39 | M5325250002 | U-SCHLEIBE GALV. D 125 25,0 | 1 | 3 | M3215157271 | SCREW CONNECTION | 1 |
| 40 | M1800620100 | LAGERLASCHE 06-20-10 | 2 | 4 | M3205102451 | HYDRAULIC PUMP, F/S, DC 260/43 | 1 |
| 41 | M3661031201 | STAUFSCHELLE | 1 | 5 | M1805020030 | CONSOLE FOR PUMP | 1 |
| 42 | M5394063502 | SPLINT D 94 6,3 X 50 VERZ. | 1 | 6 | M3611313210 | HIGH PRESSURE HOSE, NW 13, 2100MM | 1 |
| 43 | M5325250002 | U-SCHLEIBE GALV. D 125 25,0 | 1 | 7 | M4146408020 | TOOTHED V-BELT, HYDRAULIC, DC260/43B | 1 |
| 44 | M6034161010 | FETTNIPPEL H1 6KT M10X1,0 | 2 | 8 | M3205429024 | HYDRAULIC OIL TANK | 1 |
| 1 | M3205429022 | FILTRE DE RECVL - RESERVOIR D'HUILE S/S | 1 | 9 | M3611320115 | AIR HOSE, NW20, L 1150 MM | 1 |
| 2 | M3205429023 | MANOMETRE 0-4 BAR | 1 | 10 | M3215157269 | SCREW CONNECTION | 1 |
| 3 | M3215157271 | VISSAGE | 1 | 11 | M1805020050 | COG-DRIVING-FLANGE | 1 |
| 4 | M3205102451 | POMPE DE HYDRAULIQUE, S/S, DC 260/43 | 1 | 12 | M3663711000 | MOUNTING RAIL TS 096 | 1 |
| 5 | M1805020030 | POMPE DE CONSOLE | 1 | 13 | M1805020040 | DRIVING PULLEY DC 260/43 F/S | 1 |
| 6 | M3611313210 | TUYAU A HAUTE PRESSION, NW13, 2100 MM | 1 | 14 | M3611510130 | AIR HOSE, NW10, L 1300 MM | 1 |
| 7 | M4146408020 | COURROIE DC 260/43 B | 1 | 15 | M3655201232 | SCREW FITTING | 1 |
| 8 | M3205429024 | RESERVOIR D' HUILE HYDRAULIQUE | 1 | 16 | M3655201232 | SCREW FITTING | 1 |
| 9 | M3611320115 | TUYAU D' AIR, NW20, L 1150 MM | 1 | 17 | M1800612120 | BOLT 25 X 125 MM WITH GREASE NIPPLE | 1 |
| 10 | M3215157269 | FERMETURE A VIS | 1 | 18 | M3205303159 | HYDRAULIC CYLINDER DC 260/43+54 WITH GREASE NIPPLE | 1 |
| 11 | M1805020050 | BRIDE DE COMMANDE | 1 | 19 | M1172121500 | TUBE 12 X 1,5 | 1 |
| 12 | M3663711000 | PLAQUE-SUPPORT TS 096 | 1 | 20 | M3661031201 | CLIP | 1 |
| 13 | M1805020040 | POULIE DE COMMANDE DC 260/43 S/S | 1 | 21 | M3611510070 | AIR HOSE, NW10, L 700 MM | 1 |
| 14 | M3611510130 | TUYAU D' AIR NW10, L 1300 MM | 1 | 23 | M3666201224 | SCREW FITTING | 1 |
| 15 | M3655201232 | VISSAGE A VIS | 1 | 24 | M1800612120 | BOLT 25 X 125 MM WITH GREASE NIPPLE | 1 |
| 16 | M3655201232 | VISSAGE A VIS | 1 | 25 | M1805020540 | BINDER/OIL RESERVOIR FROM 11/92 | 1 |
| | | | | 26 | M5234080002 | NUT, GALV. D 934-8 M8 | 1 |

Ersatzteilliste, liste des pièces détachées, spare part list
S05 BESCHICKER HYDRAULIK-ANTRIEB ALT / SKIP DE CHARGEMENT HYDRAULIQUE ANCIEN /
CHARGING DEVICE HYDRAULIC OLD VERSION
TYPE DC 260/43-54 ARMBS ↓05/97



| POS | ART-NR | BEZEICHNUNG | ST | POS | ART-NR. | BEZEICHNUNG | ST |
|-----|--------------|--|-----|-----|--------------|-------------|-----|
| POS | NO.D'ARTICLE | DÉSIGNATION | QTÉ | POS | NO.D'ARTICLE | DÉSIGNATION | QTÉ |
| REF | ARTICLE NO | DESCRIPTION | QTY | REF | ARTICLE NO | DESCRIPTION | QTY |
| 27 | M5327082002 | SPRING RING D 127A 8.2 | 1 | | | | |
| 28 | M5033080252 | HEXAGON HEAD CAP SCREW | 1 | | | | |
| 29 | M5303172115 | COPPER RING 17X21X1.5 | 1 | | | | |
| 30 | M5010003038 | WELSH PLUG D 910 R 3/8" | 1 | | | | |
| 31 | M5033080352 | HEXAGON HEAD CAP SCREW M 8 X 35 DIN 933 | 1 | | | | |
| 32 | M5327082002 | SPRING RING D 127A 8.2 | 1 | | | | |
| 33 | M5234080002 | NUT, GALV. D 934-8 M8 | 1 | | | | |
| 34 | M1805020041 | TOOTH LOCK WASHER FOR HYDRAULIC PUMP DC 260/43 | 1 | | | | |
| 35 | M3661031201 | CLIP | 1 | | | | |
| 36 | M4012151180 | V-BELT-PULLEY TL-SPA 118 X 5 | 1 | | | | |
| 37 | M4029201235 | ADAPTER SLEEVE TL 2012/35 | 1 | | | | |
| 38 | M5394063502 | SPLINT, GALV. 6.3 X 50 DIN 94 | 1 | | | | |
| 39 | M5325250002 | WASHER GALV. D 125 25.0 | 1 | | | | |
| 40 | M1800620100 | BRACKET 06-20-10 | 2 | | | | |
| 41 | M3661031201 | CLIP | 1 | | | | |
| 42 | M5394063502 | SPLINT, GALV. 6.3 X 50 DIN 94 | 1 | | | | |
| 43 | M5325250002 | WASHER GALV. D 125 25.0 | 1 | | | | |
| 44 | M6034161010 | GREASE NIPPLE H1 HEX. M10X1.0 | 2 | | | | |



BILD, DESSIN, PICTURE: 43010_A.WMF

| POS | ART-NR | BEZEICHNUNG | ST | POS | ART-NR. | BEZEICHNUNG | ST |
|-----|--------------|-----------------------------------|-----|-----|--------------|----------------------------|-----|
| POS | NO.D'ARTICLE | DÉSIGNATION | QTÉ | POS | NO.D'ARTICLE | DÉSIGNATION | QTÉ |
| REF | ARTICLE NO | DESCRIPTION | QTY | REF | ARTICLE NO | DESCRIPTION | QTY |
| 1 | M3205429022 | RÜCKLAUFFILTER, ÖLBEHÄLTER BE/SCH | 1 | 8 | M3205429024 | HYDRAULIK-ÖLBEHÄLTER | 1 |
| 2 | M3205429023 | MANOMETER 0-4 BAR | 1 | 9 | M3611320115 | SCHLAUCH, NW 20, L 1150 MM | 1 |
| 3 | M3215157271 | VERSCHRAUBUNG | 1 | 10 | M3215157269 | VERSCHRAUBUNG | 1 |
| 4 | M3205102451 | HY-PUMPE DC 260/43 B+S | 1 | 11 | M1805020050 | ZAPFENANTRIEBSFLANSCH | 1 |
| 5 | M1805020030 | PUMPENKONSOLE | 1 | 12 | M3663711000 | TRAGSCHIENE TS 096 | 1 |
| 6 | M3611313210 | SCHLAUCH HD NW 13, 2100MM | 1 | 13 | M1805020040 | ZAHNSCHEIBE DC260/43 B/S | 1 |
| 7 | M4146408020 | KEILRIEMEN DC260/43B | 1 | 14 | M3611510130 | SCHLAUCH NW10, L 1300 MM | 1 |

Ersatzteilliste, liste des pièces détachées, spare part list
S05 BESCHICKER HYDRAULIK-ANTRIEB NEU / SKIP DE CHARGEMENT HYDRAULIQUE NOUVEAU /
CHARGING DEVICE HYDRAULIC NEW VERSION
TYPE DC 260/43-54 ARMBS ↑05/97

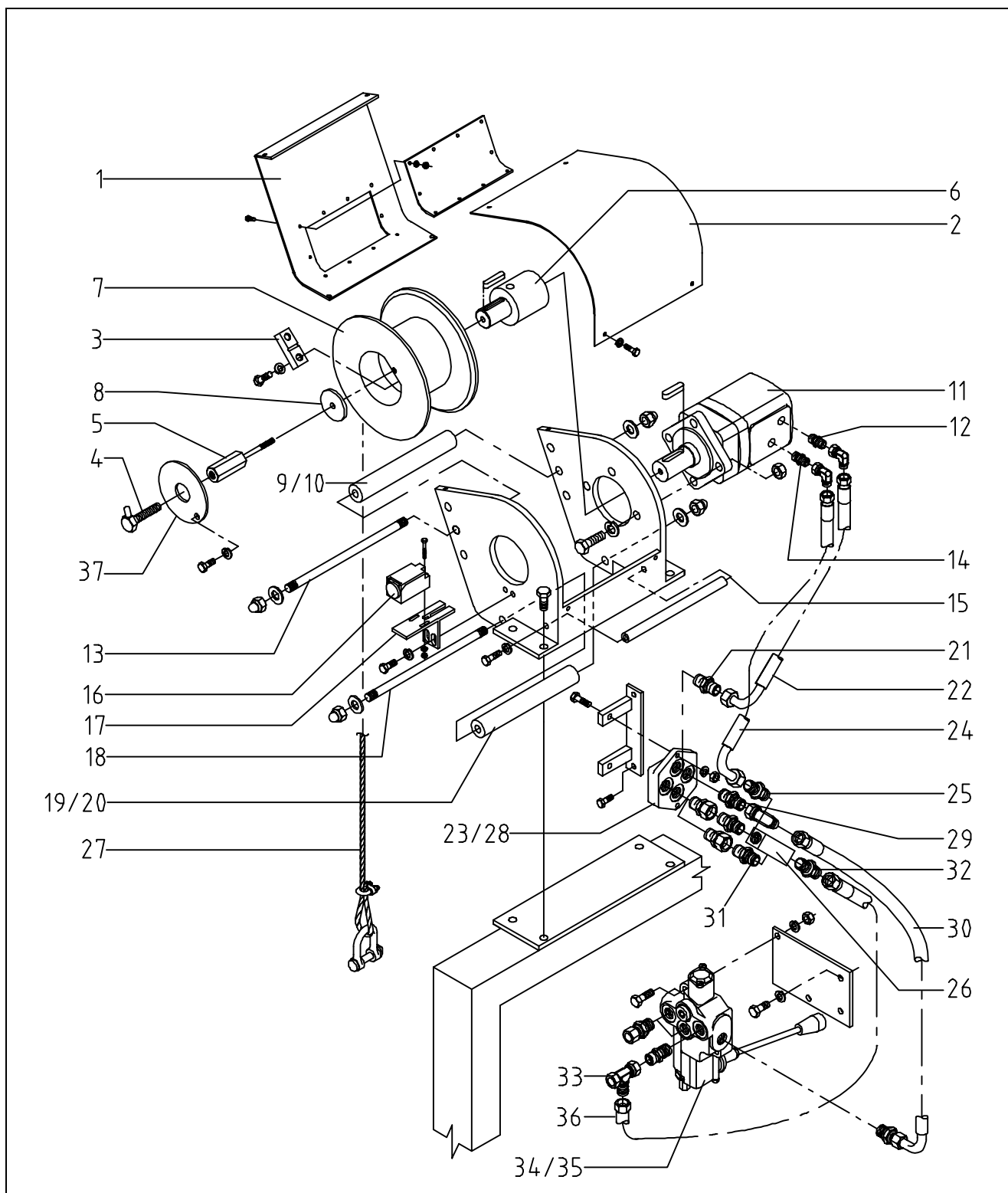


| POS | ART-NR | BEZEICHNUNG | ST | POS | ART-NR. | BEZEICHNUNG | ST |
|-----|--------------|--|-----|-----|--------------|---|-----|
| POS | NO.D'ARTICLE | DÉSIGNATION | QTÉ | POS | NO.D'ARTICLE | DÉSIGNATION | QTÉ |
| REF | ARTICLE NO | DESCRIPTION | QTY | REF | ARTICLE NO | DESCRIPTION | QTY |
| 15 | M3655201232 | GERADE-EINSCHRAUB-VERSCHRAUBUNG GE 12-SM | 1 | 23 | M3666201224 | VISSAGE A VIS | 1 |
| 16 | M3655201232 | GERADE-EINSCHRAUB-VERSCHRAUBUNG GE 12-SM | 1 | 24 | M1800612121 | BOULON | 1 |
| 17 | M1800612121 | BOLZEN 25X 25MM,OHNE SCHMIERNIPPEL | 1 | 25 | M1805020540 | SERRE/RESERVOIR D'HUILE A PARTIR DE 11/92 | 1 |
| 18 | M3205303159 | HY.-ZYLINDER DC 260/43+54 UND ABSCHMIERNIPPEL AB 8/91 | 1 | 26 | M5234080002 | ECROU, D 934-8 M 8 | 1 |
| 19 | M1172121500 | ROHR 12 X 1,5 | 1 | 27 | M5327082002 | RONDELLE D 127A 8,2 | 1 |
| 20 | M3661031201 | STAUFSCHELLE | 1 | 28 | M5033080252 | VIS A SIX PANS | 1 |
| 21 | M3611510070 | SCHLAUCH NW 10, L 700 MM | 1 | 29 | M5303172115 | ANNEAU DE CUIVRE 17X21X1,5 | 1 |
| 23 | M3666201224 | W-EINSCHRAUB-VERSCHRAUB-UNG WE 12-LR 1/2" | 1 | 30 | M5010003038 | VIS DE FERMETURE D 910 R 3/8" | 1 |
| 24 | M1800612121 | BOLZEN 25X 25MM,OHNE SCHMIERNIPPEL | 1 | 31 | M5033080352 | VIS A SIX PANS M 8 X 35, DIN 933 | 1 |
| 25 | M1805020540 | KLEMME/ÖLBEHÄLTER NEU AB 11/92 | 1 | 32 | M5327082002 | RONDELLE D 127A 8,2 | 1 |
| 26 | M5234080002 | MUTTER D 934-8 M 8 | 1 | 33 | M5234080002 | ECROU, D 934-8 M 8 | 1 |
| 27 | M5327082002 | FEDERRING D 127A 8,2 | 1 | 34 | M1805020041 | POULIE POUR POMPE HYDRAULIQUE DC 260/43 | 1 |
| 28 | M5033080252 | SECHSKANTSCHRAUBE D 933 M 8X 25 | 1 | 35 | M3661031201 | COLLIER | 1 |
| 29 | M5303172115 | KUPFERRING 17X21X1,5 | 1 | 36 | M4012151180 | POULIE A GORGE CONIQUE TL-SPA 118 X 5 | 1 |
| 30 | M5010003038 | BLINDSTOPFEN D 910 R 3/8" | 1 | 37 | M4029201235 | DOUILLE DE SERRAGE TL 2012/35 | 1 |
| 31 | M5033080352 | SECHSKANTSCHRAUBE M 8X 35 DIN 933 | 1 | 38 | M5394063502 | CLAVETTE GALV. D 94 6,3 X 50 | 1 |
| 32 | M5327082002 | FEDERRING D 127A 8,2 | 1 | 39 | M5325250002 | RONDELLE GALV. D 125 25,0 | 1 |
| 33 | M5234080002 | MUTTER D 934-8 M 8 | 1 | 40 | M1800620100 | ATTACHE 06-20-10 | 2 |
| 34 | M1805020041 | ZAHNRIEMENSCHLEIBE F. HYDRAULIK- PUMPE DC 260/43 | 1 | 41 | M3661031201 | COLLIER | 1 |
| 35 | M3661031201 | STAUFSCHELLE | 1 | 42 | M5394063502 | CLAVETTE GALV. D 94 6,3 X 50 | 1 |
| 36 | M4012151180 | KEILRIEMENSCHLEIBE TL-SPA 118 X 5 | 1 | 43 | M5325250002 | RONDELLE GALV. D 125 25,0 | 1 |
| 37 | M4029201235 | SPANNBUCHSE TL 2012/35 | 1 | 44 | M6034161010 | GRAISSEUR H1 6KT M10X1,0 | 2 |
| 38 | M5394063502 | SPLINT D 94 6,3 X 50 VERZ. | 1 | 1 | M3205429022 | RETURN FILTER - OIL TANK F/S | 1 |
| 39 | M5325250002 | U-SCHLEIBE GALV. D 125 25,0 | 1 | 2 | M3205429023 | PRESSURE GAUGE 0-4 BAR | 1 |
| 40 | M1800620100 | LAGERLASCHE 06-20-10 | 2 | 3 | M3215157271 | SCREW CONNECTION | 1 |
| 41 | M3661031201 | STAUFSCHELLE | 1 | 4 | M3205102451 | HYDRAULIC PUMP, F/S, DC 260/43 | 1 |
| 42 | M5394063502 | SPLINT D 94 6,3 X 50 VERZ. | 1 | 5 | M1805020030 | CONSOLE FOR PUMP | 1 |
| 43 | M5325250002 | U-SCHLEIBE GALV. D 125 25,0 | 1 | 6 | M3611313210 | HIGH PRESSURE HOSE, NW 13, 2100MM | 1 |
| 44 | M6034161010 | FETTNIPEL H1 6KT M10X1,0 | 2 | 7 | M4146408020 | TOOTHED V-BELT, HYDRAULIC, DC 260/43 B | 1 |
| 1 | M3205429022 | FILTRE DE RECVL - RESERVOIR D'HUILE S/S | 1 | 8 | M3205429024 | HYDRAULIC OIL TANK | 1 |
| 2 | M3205429023 | MANOMETRE 0-4 BAR | 1 | 9 | M3611320115 | AIR HOSE, NW20, L 1150 MM | 1 |
| 3 | M3215157271 | VISSAGE | 1 | 10 | M3215157269 | SCREW CONNECTION | 1 |
| 4 | M3205102451 | POMPE DE HYDRAULIQUE, S/S, DC 260/43 | 1 | 11 | M1805020050 | COG-DRIVING-FLANGE | 1 |
| 5 | M1805020030 | POMPE DE CONSOLE | 1 | 12 | M3663711000 | MOUNTING RAIL TS 096 | 1 |
| 6 | M3611313210 | TUYAU A HAUTE PRESSION, NW13, 2100 MM | 1 | 13 | M1805020040 | DRIVING PULLEY DC 260/43 F/S | 1 |
| 7 | M4146408020 | COURROIE DC 260/43 B | 1 | 14 | M3611510130 | AIR HOSE, NW10, L 1300 MM | 1 |
| 8 | M3205429024 | RESERVOIR D' HUILE HYDRAULIQUE | 1 | 15 | M3655201232 | SCREW FITTING | 1 |
| 9 | M3611320115 | TUYAU D' AIR, NW20, L 1150 MM | 1 | 16 | M3655201232 | SCREW FITTING | 1 |
| 10 | M3215157269 | FERMETURE A VIS | 1 | 17 | M1800612121 | BOLT | 1 |
| 11 | M1805020050 | BRIDE DE COMMANDE | 1 | 18 | M3205303159 | HYDRAULIC CYLINDER DC 260/43+54 WITH GREASE NIPPLE | 1 |
| 12 | M3663711000 | PLAQUE-SUPPORT TS 096 | 1 | 19 | M1172121500 | TUBE 12 X 1,5 | 1 |
| 13 | M1805020040 | POULIE DE COMMANDE DC 260/43 S/S | 1 | 20 | M3661031201 | CLIP | 1 |
| 14 | M3611510130 | TUYAU D' AIR NW10, L 1300 MM | 1 | 21 | M3611510070 | AIR HOSE, NW10, L 700 MM | 1 |
| 15 | M3655201232 | VISSAGE A VIS | 1 | 23 | M3666201224 | SCREW FITTING | 1 |
| 16 | M3655201232 | VISSAGE A VIS | 1 | 24 | M1800612121 | BOLT | 1 |
| 17 | M1800612121 | BOULON | 1 | 25 | M1805020540 | BINDER/OIL RESERVOIR FROM 11/92 | 1 |
| 18 | M3205303159 | CYLINDRE HYDRAULIQUE DC 260/43+54 ETNIPPEL DE GRAISSAGE | 1 | 26 | M5234080002 | NUT, GALV. D 934-8 M8 | 1 |
| 19 | M1172121500 | TUBE 12 X 1,5 | 1 | 27 | M5327082002 | SPRING RING D 127A 8,2 | 1 |
| 20 | M3661031201 | COLLIER | 1 | 28 | M5033080252 | HEXAGON HEAD CAP SCREW | 1 |
| 21 | M3611510070 | TUYAU D' AIR, NW10, L 700 MM | 1 | 29 | M5303172115 | COPPER RING 17X21X1,5 | 1 |
| | | | | 30 | M5010003038 | WELSH PLUG D 910 R 3/8" | 1 |
| | | | | 31 | M5033080352 | HEXAGON HEAD CAP SCREW M 8 X 35 DIN 933 | 1 |
| | | | | 32 | M5327082002 | SPRING RING D 127A 8,2 | 1 |

Ersatzteilliste, liste des pièces détachées, spare part list
S05 BESCHICKER HYDRAULIK-ANTRIEB NEU / SKIP DE CHARGEMENT HYDRAULIQUE NOUVEAU /
CHARGING DEVICE HYDRAULIC NEW VERSION
TYPE DC 260/43-54 ARMBS ↑05/97



| POS | ART-NR | BEZEICHNUNG | ST | POS | ART-NR. | BEZEICHNUNG | ST |
|-----|--------------|---|-----|-----|--------------|-------------|-----|
| POS | NO.D'ARTICLE | DÉSIGNATION | QTÉ | POS | NO.D'ARTICLE | DÉSIGNATION | QTÉ |
| REF | ARTICLE NO | DESCRIPTION | QTY | REF | ARTICLE NO | DESCRIPTION | QTY |
| 33 | M5234080002 | NUT, GALV. D 934-8 M8..... | 1 | | | | |
| 34 | M1805020041 | TOOTH LOCK WASHER FOR HYDRAULIC PUMP DC 260/43 | 1 | | | | |
| 35 | M3661031201 | CLIP | 1 | | | | |
| 36 | M4012151180 | V-BELT-PULLEY TL-SPA 118 X 5 | 1 | | | | |
| 37 | M4029201235 | ADAPTER SLEEVE TL 2012/35..... | 1 | | | | |
| 38 | M5394063502 | SPLINT, GALV. 6.3 X 50 DIN 94 | 1 | | | | |
| 39 | M5325250002 | WASHER GALV. D 125 25.0 | 1 | | | | |
| 40 | M1800620100 | BRACKET 06-20-10 | 2 | | | | |
| 41 | M3661031201 | CLIP | 1 | | | | |
| 42 | M5394063502 | SPLINT, GALV. 6.3 X 50 DIN 94 | 1 | | | | |
| 43 | M5325250002 | WASHER GALV. D 125 25.0 | 1 | | | | |
| 44 | M6034161010 | GREASE NIPPLE H1 HEX. M10X1.0..... | 2 | | | | |



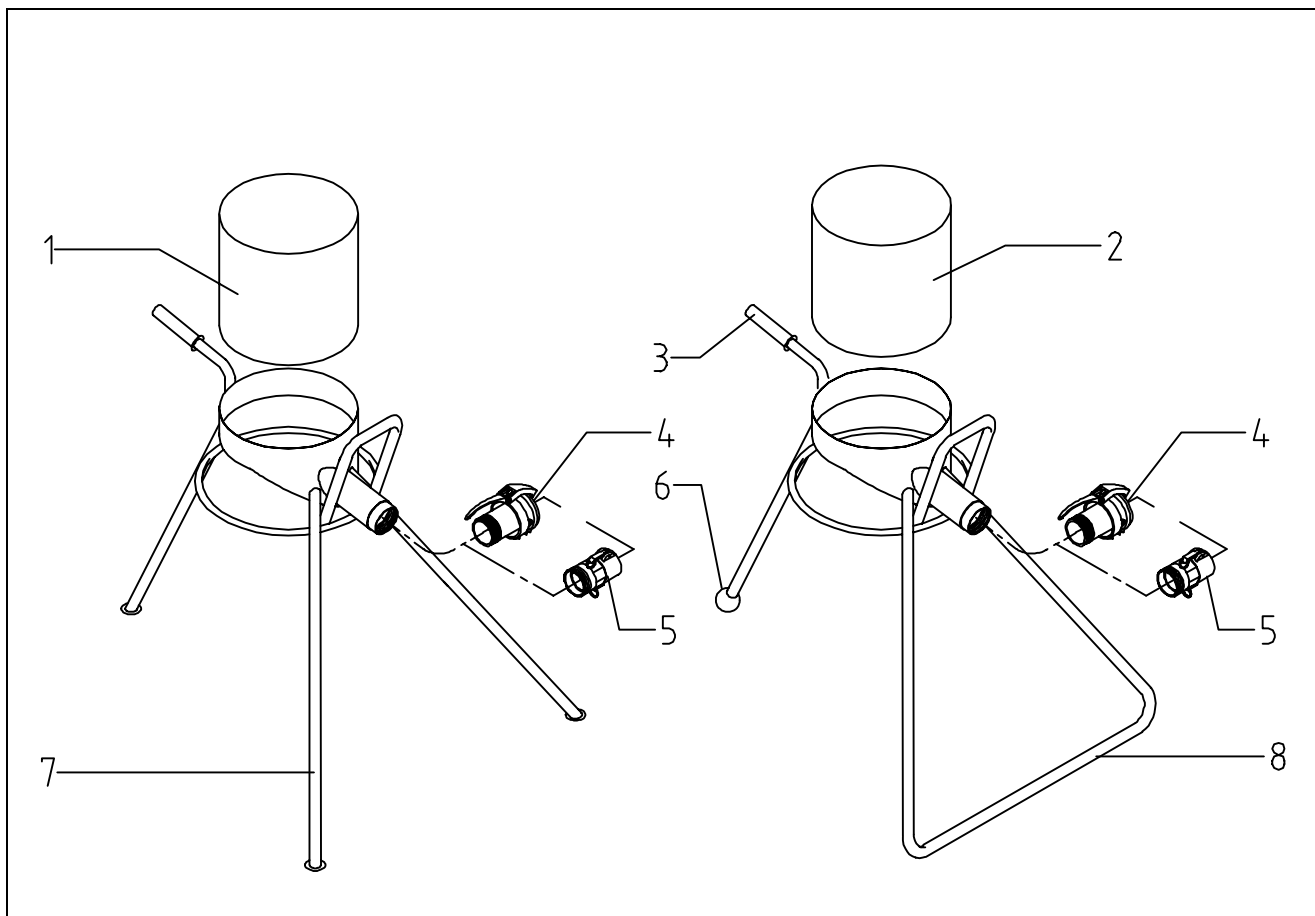
BILD, DESSIN, PICTURE: 43045.WMF

| POS | ART-NR | BEZEICHUNG | ST | POS | ART-NR. | BEZEICHUNG | ST |
|-----|--------------|---|-----|-----|--------------|---------------------------------|-----|
| POS | NO.D'ARTICLE | DÉSIGNATION | QTÉ | POS | NO.D'ARTICLE | DÉSIGNATION | QTÉ |
| REF | ARTICLE NO | DESCRIPTION | QTY | REF | ARTICLE NO | DESCRIPTION | QTY |
| 1 | M1800815140 | ABDECKUNG,DRAHTSEILTR.08-15-14 | 1 | 5 | M1800815380 | VERLÄNGERUNG/AUFNAHMEZ.B/SCH | 1 |
| 2 | M1800815070 | GEHÄUSEABDECKUNG /ANTRIEBSGEHÄUSE B/SCH 93 | 1 | 6 | M1800815230 | AUFNAHMEZAPFEN F. SEILR.B/SCH93 | 1 |
| 3 | M1800814052 | SEILKLEMME F.SEILTROMMEL B/SCH | 1 | 7 | M1800814050 | SEILTROMMEL,SCRAPPER | 1 |
| 4 | M1800815370 | STELLSCHRAUBE F.AUFNAHME.B/SCH | 1 | 8 | M1800815260 | SCHEIBE/AUFNAHMEZAPFEN B/SCH | 1 |
| | | | | 9 | M1800815081 | STÜTZROLLE F.SEILR.B/S93 POLYA | 1 |

Ersatzteilliste, liste des pièces détachées, spare part list
S06 SCHRAPPANLAGE / SCRAPETTE / SCRAPER DEVICE
TYPE DC 260/43-54 ARMB5

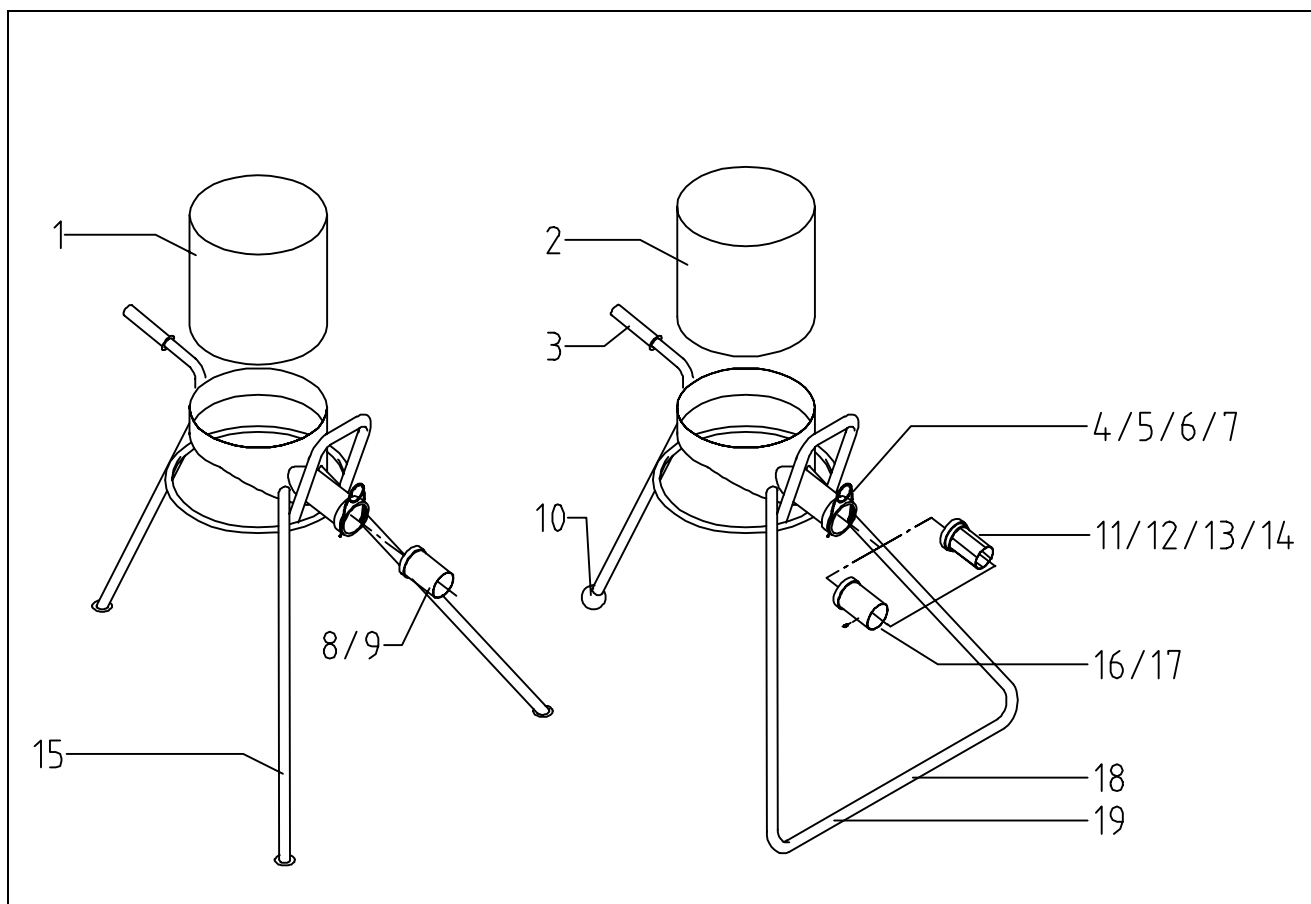


| POS | ART-NR | BEZEICHNUNG | ST | POS | ART-NR. | BEZEICHNUNG | ST |
|-----|--------------|--|-----|-----|--------------|---|-----|
| POS | NO.D'ARTICLE | DÉSIGNATION | QTÉ | POS | NO.D'ARTICLE | DÉSIGNATION | QTÉ |
| REF | ARTICLE NO | DESCRIPTION | QTY | REF | ARTICLE NO | DESCRIPTION | QTY |
| 10 | M1800815083 | STÜTZROLLE B/SCH 93 STAHL GEHÄ. | 1 | 31 | M3655201222 | VISSAGE A VIS | 1 |
| 11 | M2901601100 | HY-MOTOR OMS100/151F | 1 | 32 | M3655201222 | VISSAGE A VIS | 1 |
| 12 | M3655201204 | G-EINSCHR-V GE 12-LR 1/2" | 1 | 33 | M3662871222 | CHANGEMENT DE DIRECTION | 1 |
| 13 | M1800815082 | ACHSE/STÜTZROLLE F. SEILR.B/SCH | 1 | 34 | M3205301030 | COMMANDE A LA MAIN VALVE POUR SKIP ETSCRAPETTE | 1 |
| 14 | M3655201204 | G-EINSCHR-V GE 12-LR 1/2" | 1 | 35 | M3205301029 | COMMANDE A LA MAIN VALVE POUR SKIP | 1 |
| 15 | M1800815060 | ANTRIEBSGEHÄUSE B/SCH 93 | 1 | 36 | M3611510072 | TUYAU FLEXIBLE | 1 |
| 16 | M3177101000 | GRENZTASTER ATO-11-1-I | 1 | 37 | M1800815450 | RONDELLE, BLOCAGE | 1 |
| 17 | M1800815360 | KONSOLE, ENDSCHALTER B/SCH 93 | 1 | 1 | M1800815140 | COVERING, WIRE ROPE DRUM, F/S | 1 |
| 18 | M1800815082 | ACHSE/STÜTZROLLE F. SEILR.B/SCH | 1 | 2 | M1800815070 | HOUSING COVER | 1 |
| 19 | M1800815081 | STÜTZROLLE F. SEILR.B/S93 POLYA | 1 | 3 | M1800814052 | ROPE CLAMP | 1 |
| 20 | M1800815083 | STÜTZROLLE B/SCH 93 STAHL GEHÄ. | 1 | 4 | M1800815370 | ATTACHMENT SCREW | 1 |
| 21 | M3655201222 | G-EINSCHR-V GE 12-LM 18X1,5 | 1 | 5 | M1800815380 | LENGTHENING PIECE | 1 |
| 22 | M3611510072 | SCHLAUCH HD, NW 10, L 720 MM | 1 | 6 | M1800815230 | RECEIVER TURNING | 1 |
| 23 | M3218155337 | ANBAUPLATTE | 1 | 7 | M1800814050 | CABLE DRUM | 1 |
| 24 | M3611510067 | SCHLAUCH HD, NW10, L 670 MM | 1 | 8 | M1800815260 | WASHER | 1 |
| 25 | M3655201204 | G-EINSCHR-V GE 12-LR 1/2" | 1 | 9 | M1800815081 | RETURN ROLLER | 1 |
| 26 | M1800815410 | RÜCKLAUFVERTEILER B/SCH 93 | 1 | 10 | M1800815083 | RETURN ROLLER | 1 |
| 27 | M1800814011 | SCHRAPPERSEIL 8,0X12000MM | 1 | 11 | M2901601100 | HYDRAULIC ENGINE WITH SHAFT 32 MM | 1 |
| 28 | M3218155337 | ANBAUPLATTE | 1 | 12 | M3655201204 | SCREW FITTING | 1 |
| 29 | M3655201222 | G-EINSCHR-V GE 12-LM 18X1,5 | 1 | 13 | M1800815082 | RETURN ROLLER | 1 |
| 30 | M3611510040 | SCHLAUCH NW 10, L 400MM | 1 | 14 | M3655201204 | SCREW FITTING | 1 |
| 31 | M3655201222 | G-EINSCHR-V GE 12-LM 18X1,5 | 1 | 15 | M1800815060 | DRIVING CASE | 1 |
| 32 | M3655201222 | G-EINSCHR-V GE 12-LM 18X1,5 | 1 | 16 | M3177101000 | LIMIT SWITCH | 1 |
| 33 | M3662871222 | SCHWENKVERSCH SWVE 12-LM | 1 | 17 | M1800815360 | CONSOLE | 1 |
| 34 | M3205301030 | HANDSTEUERVENTIL FÜR BESCHICKER UND SCHRAPPER | 1 | 18 | M1800815082 | RETURN ROLLER | 1 |
| 35 | M3205301029 | HANDSTEUERVENTIL FÜR BESCHICKER | 1 | 19 | M1800815081 | RETURN ROLLER | 1 |
| 36 | M3611510072 | SCHLAUCH HD, NW 10, L 720 MM | 1 | 20 | M1800815083 | RETURN ROLLER | 1 |
| 37 | M1800815450 | SICHERUNGSSCHEIBE SEILROLLE | 1 | 21 | M3655201222 | SCREW FITTING | 1 |
| 1 | M1800815140 | COUVERTURE, CABLE METALLIQUE TAMBOUR S/S | 1 | 22 | M3611510072 | HOSE | 1 |
| 2 | M1800815070 | COUVERTURE DE BOITE | 1 | 23 | M3218155337 | MOUNTED PLATE | 1 |
| 3 | M1800814052 | PINCE A CABLE | 1 | 24 | M3611510067 | HOSE | 1 |
| 4 | M1800815370 | VIS DE REGLAGE | 1 | 25 | M3655201204 | SCREW FITTING | 1 |
| 5 | M1800815380 | ALLONGE | 1 | 27 | M1800814011 | SCRAPER ROPE | 1 |
| 6 | M1800815230 | TENON DE FIXATION | 1 | 28 | M3218155337 | MOUNTED PLATE | 1 |
| 7 | M1800814050 | TAMBOUR A CABLE | 1 | 29 | M3655201222 | SCREW FITTING | 1 |
| 8 | M1800815260 | RONDELLE | 1 | 30 | M3611510040 | HOSE | 1 |
| 9 | M1800815081 | ROULEAU DE SUPPORT | 1 | 31 | M3655201222 | SCREW FITTING | 1 |
| 10 | M1800815083 | ROULEAU DE SUPPORT | 1 | 32 | M3655201222 | SCREW FITTING | 1 |
| 11 | M2901601100 | MOTEUR HYDRAULIQUE AVEC ARBRE 32 MM | 1 | 33 | M3662871222 | SWIVELLING SCREW-FITTING | 1 |
| 12 | M3655201204 | VISSAGE A VIS | 1 | 34 | M3205301030 | CONTROL VALVE BY HAND LEVER FOR FEEDER AND SCRAPER | 1 |
| 13 | M1800815082 | ROULEAU DE SUPPORT | 1 | 35 | M3205301029 | CONTROL VALVE BY HAND LEVER FOR FEEDER | 1 |
| 14 | M3655201204 | VISSAGE A VIS | 1 | 36 | M3611510072 | HOSE | 1 |
| 15 | M1800815060 | CARTER DE COMMANDE | 1 | 37 | M1800815450 | LOCK WASHER | 1 |
| 16 | M3177101000 | INTERRUPTEUR-LIMITEUR | 1 | | | | |
| 17 | M1800815360 | CONSOLE | 1 | | | | |
| 18 | M1800815082 | ROULEAU DE SUPPORT | 1 | | | | |
| 19 | M1800815081 | ROULEAU DE SUPPORT | 1 | | | | |
| 20 | M1800815083 | ROULEAU DE SUPPORT | 1 | | | | |
| 21 | M3655201222 | VISSAGE A VIS | 1 | | | | |
| 22 | M3611510072 | TUYAU FLEXIBLE | 1 | | | | |
| 23 | M3218155337 | PLATEAU DE FIXATION | 1 | | | | |
| 24 | M3611510067 | TUYAU FLEXIBLE | 1 | | | | |
| 25 | M3655201204 | VISSAGE A VIS | 1 | | | | |
| 27 | M1800814011 | SCRAPETTE | 1 | | | | |
| 28 | M3218155337 | PLATEAU DE FIXATION | 1 | | | | |
| 29 | M3655201222 | VISSAGE A VIS | 1 | | | | |
| 30 | M3611510040 | TUYAU FLEXIBLE | 1 | | | | |



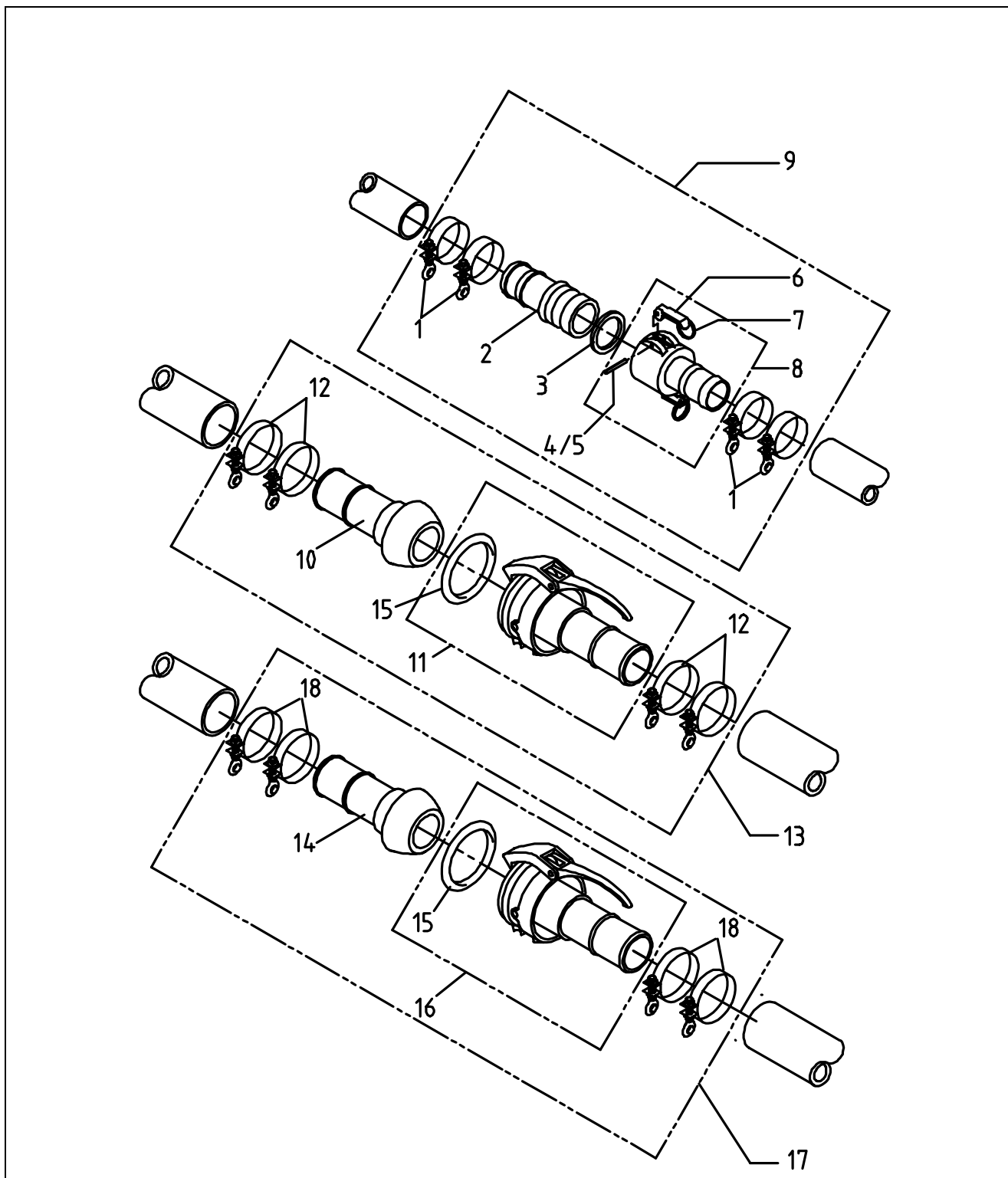
BILD, DESSIN, PICTURE: 43050_1.WMF

| POS | ART-NR | BEZEICHNUNG | ST | POS | ART-NR. | BEZEICHNUNG | ST |
|-----|--------------|--|-----|-----|--------------|--|-----|
| POS | NO.D'ARTICLE | DÉSIGNATION | QTÉ | POS | NO.D'ARTICLE | DÉSIGNATION | QTÉ |
| REF | ARTICLE NO | DESCRIPTION | QTY | REF | ARTICLE NO | DESCRIPTION | QTY |
| 1 | M4290025253 | GUMMITOPF EB83 D250 H250 | 1 | 6 | M5319501231 | ..BOUTON A BOULE D319 D50 M12, TREPIED | 1 |
| 2 | M4290025253 | GUMMITOPF EB83 D250 H250 | 1 | 7 | L 1922508221 | ..TREPIED EB 82/B3 | 1 |
| 3 | M3190051010 | GUMMIGRIFF | 1 | 8 | L 1922508420 | ..TREPIED LOURD 2 1/2" SANS K-M-PIECE | 1 |
| 4 | L 7172702212 | ..KUPPLUNG K-MT 70TG AG 2 1/2" | 2 | 1 | M4290025253 | ..RUBBER POT EB83 D250 H250 | 1 |
| 5 | M7050502212 | ..KUPPLUNG MT 50 AG 2 1/2" | 1 | 2 | M4290025253 | ..RUBBER POT EB83 D250 H250 | 1 |
| 6 | M5319501231 | ..KUGELKNOPF M12 SCHWARZ FÜR AUSLAUFTOPF | 1 | 3 | M3190051010 | ..RUBBER GRIP 05101.00010 | 1 |
| 7 | L 1922508221 | ..AUSLAUFTOPF EB 82/B3/GU-LANG | 1 | 4 | L 7172702212 | ..COUPLING K-MT 70 TG AG 2 1/2" | 2 |
| 8 | L 1922508420 | ..AUSLAUFTOPF LEICHT 2 1/2" INNEN-GEW. O. KUPPLUNGS-M-TEIL | 1 | 5 | M7050502212 | ..COUPLING MT 50 AG 2 1/2" | 1 |
| 1 | M4290025253 | ..POT EN CAOUTCHOUC EB83 D250 H250 | 1 | 6 | M5319501231 | ..BALL HEAD FOR RUN-OUT POT D319 D50 M12 | 1 |
| 2 | M4290025253 | ..POT EN CAOUTCHOUC EB83 D250 H250 | 1 | 7 | L 1922508221 | ..RUN-OUT POT EB 82/B3 | 1 |
| 3 | M3190051010 | ..MANETTE EN CAOUTCHOUC 05101.00010 | 1 | 8 | L 1922508420 | ..RUN-OUT POT LIGHT 2 1/2" WITHOUT K-M-PIECE | 1 |
| 4 | L 7172702212 | ..ACCOUPLEMENT K-MT 70TG AG 2 1/2" | 2 | | | | |
| 5 | M7050502212 | ..ACCOUPLEMENT MT 50 AG 2 1/2" | 1 | | | | |



BILD, DESSIN, PICTURE: 43050_3.WMF

| POS | ART-NR | BEZEICHNUNG | ST | POS | ART-NR. | BEZEICHNUNG | ST |
|-----|--------------|---|-----|-----|--------------|---|-----|
| POS | NO.D'ARTICLE | DÉSIGNATION | QTÉ | POS | NO.D'ARTICLE | DÉSIGNATION | QTÉ |
| REF | ARTICLE NO | DESCRIPTION | QTY | REF | ARTICLE NO | DESCRIPTION | QTY |
| 1 | M4290025253 | GUMMITOPF FÜR AUSLAUFTOPF | 1 | 10 | M5319501231 | BOUTON A BOULE D319 D50 M12, TREPIED | 1 |
| 2 | M4290025253 | GUMMITOPF FÜR AUSLAUFTOPF | 1 | | | | |
| 3 | M3190051010 | GUMMIGRIFF, SCHWARZ | 1 | 11 | L 7051650000 | DOUILLE D'ACCOUPLEMENT NW50, TOURNANTE | 1 |
| 4 | M2202092004 | KETTE 210MM LG. F. FEDERSTECKER | 1 | 12 | M3600200760 | COLLIER DE TUYAUX 76/20 | 2 |
| 5 | M7050900002 | ZUGRING | 1 | 13 | M5080080502 | PITON M8X50 | 2 |
| 6 | M5399003319 | FEDERKLAMMER F.AUSLAUFTOPF | 1 | 14 | M5083048132 | VIS A TOLES D7983 4.8X13 MM | 10 |
| 7 | M5330212415 | SCHLÜSSELRING 21X24X1.5 | 2 | 17 | M5083048132 | VIS A TOLES D7983 4.8X13 MM | 12 |
| 8 | M5083048132 | BLECHSCHR.D7983 4.8X13MM VERZ | 12 | 1 | M4290025253 | RUBBER POT EB83 D250 H250 | 1 |
| 9 | M5319501231 | KUGELKNOPF M12 SCHWARZ FÜR AUSLAUFTOPF | 1 | 2 | M4290025253 | RUBBER POT EB83 D250 H250 | 1 |
| 11 | L 7051650000 | KUPPLUNGSHÜLSE NW50 DREHBAR | 1 | 3 | M3190051010 | RUBBER GRIP, BLACK | 1 |
| 12 | M3600200760 | SCHLAUCHSCHELLE 76/20 O.S. | 2 | 4 | M2202092004 | CHAIEN FOR SPRING PLUG | 1 |
| 13 | M5080080502 | RINGSCHRAUBE M8X50 | 2 | 5 | M7050900002 | PULLING RING FOR M-PIECE NW 50 AND 60 | 1 |
| 14 | M5083048132 | BLECHSCHR.D7983 4.8X13MM VERZ | 10 | 6 | M5399003319 | SNAP-ON CLIP 3119 50-0380-6.0 MM | 1 |
| 17 | M5083048132 | BLECHSCHR.D7983 4.8X13MM VERZ | 12 | 7 | M5330212415 | KEY RING 24X30X2.7 | 2 |
| 1 | M4290025253 | POT EN CAOUTCHOUC EB83 D250 H250 | 1 | 9 | M5083048132 | SHEET METAL SCREW D7983 4.8X13 MM GALV. | 12 |
| 2 | M4290025253 | POT EN CAOUTCHOUC EB83 D250 H250 | 1 | 10 | M5319501231 | BALL HEAD FOR RUN-OUT POT D319 D50 M12 | 1 |
| 3 | M3190051010 | MANETTE EN CAOUTCHOUC, NOIR | 1 | 11 | L 7051650000 | COUPLING SLEEVE NW50, ROTATABLE | 1 |
| 4 | M2202092004 | CHAIEN DIN 5686 | 1 | 12 | M3600200760 | HOSE CLAMP 76/20 | 2 |
| 5 | M7050900002 | ANNEAU DE TRACTION POUR M-PIECE NW 50 ET 60 | 1 | 13 | M5080080502 | RING SCREW, GALV. M 8X50 | 2 |
| 6 | M5399003319 | RESSORT DE SURETE 3119 50-0380-6.0 MM | 1 | 14 | M5083048132 | SHEET METAL SCREW D7983 4.8X13 MM GALV. | 10 |
| 7 | M5330212415 | ANNEAU DE CLEF 24X30X2.7 | 2 | 17 | M5083048132 | SHEET METAL SCREW D7983 4.8X13 MM GALV. | 12 |
| 9 | M5083048132 | VIS A TOLES D7983 4.8X13 MM | 12 | | | | |



BILD, DESSIN, PICTURE: 43050_2.WMF

| POS | ART-NR | BEZEICHNUNG | ST | POS | ART-NR. | BEZEICHNUNG | ST |
|-----|--------------|---------------------------------|-----|-----|--------------|--------------------------|-----|
| POS | NO.D'ARTICLE | DÉSIGNATION | QTÉ | POS | NO.D'ARTICLE | DÉSIGNATION | QTÉ |
| REF | ARTICLE NO | DESCRIPTION | QTY | REF | ARTICLE NO | DESCRIPTION | QTY |
| 1 | L 85678100 | SCHELLE MIT RINGSCHRAUBE | 4 | 7 | M7050900002 | ZUGRING FÜR M-TEIL 50 | 1 |
| 2 | M7051500000 | KUPPLUNG VT 50 | 1 | 8 | M7050500000 | KUPPLUNG MT 50 | 1 |
| 3 | M4230670506 | GUMMI-DICHTUNG MT50 67X 50X 6,0 | 1 | 9 | L 85406050 | KUPPLUNG-SATZ 50 KPL. | 1 |
| 4 | M5381060400 | SPANNHÜLSE 6,0X40 | 1 | 10 | L 7171600000 | KUPPLUNG K-VT 70 NW 60 | 1 |
| 5 | M5381035400 | SPANNHÜLSE D 1481 3,5X40 | 1 | 11 | L 7172600000 | KUPPLUNG K-MT70TG NW60 | 1 |
| 6 | M7050900001 | HEBELCHEN LR8 FÜR M-TEIL 50 | 1 | 12 | L 85682050 | SCHELLE MIT RINGSCHRAUBE | 4 |



| POS | ART-NR | BEZEICHNUNG | ST | POS | ART-NR. | BEZEICHNUNG | ST |
|-----|--------------|---|-----|-----|--------------|-------------|-----|
| POS | NO.D'ARTICLE | DÉSIGNATION | QTÉ | POS | NO.D'ARTICLE | DÉSIGNATION | QTÉ |
| REF | ARTICLE NO | DESCRIPTION | QTY | REF | ARTICLE NO | DESCRIPTION | QTY |
| 13 | L 85410350 | KUPPLUNG-SATZ K70T-60 KPL | 1 | | | | |
| 14 | L 7171650000 | KUPPLUNG K-VT 70 NW 65 | 1 | | | | |
| 15 | M4221200860 | GUMMI-DICHTUNG M 60/65 | 2 | | | | |
| 16 | L 7172650000 | KUPPLUNG K-MT 70TG NW65 | 1 | | | | |
| 17 | L 85410550 | KUPPLUNG-SATZ K70T-65 KPL | 1 | | | | |
| 18 | L 85686050 | SHELLEMIT RINGSCHRAUBE | 4 | | | | |
| 1 | L 85678100 | COLLIER 50/66 | 4 | | | | |
| 2 | M7051500000 | ACCOUPEMENT VT 50 | 1 | | | | |
| 3 | M4230670506 | JOINT EN CAOUTCHOUC MT50 67X50X6,0 | 1 | | | | |
| 4 | M5381060400 | DOUILLE DE SERRAGE | 1 | | | | |
| 5 | M5381035400 | DOUILLE DE SERRAGE D 1481 3.5X40 | 1 | | | | |
| 6 | M7050900001 | LEVIER LR8 POUR M-PIECE 50 | 1 | | | | |
| 7 | M7050900002 | ANNEAU DE TRACTION POUR M-PIECE NW 50 ET 60 | 1 | | | | |
| 8 | M7050500000 | ACCOUPEMENT MT50 | 1 | | | | |
| 9 | L 85406050 | JEU DE RACCORDS 50 COMP | 1 | | | | |
| 10 | L 7171600000 | ACCOUPEMENT K-VT 70 NW 60 | 1 | | | | |
| 11 | L 7172600000 | ACCOUPEMENT K-MT 70 TG NW 60 | 1 | | | | |
| 12 | L 85682050 | COLLIER | 4 | | | | |
| 13 | L 85410350 | JEU DE RACCORDS K70T-60-COMP | 1 | | | | |
| 14 | L 7171650000 | ACCOUPEMENT K-VT 70 NW 65 | 1 | | | | |
| 15 | M4221200860 | JOINT EN CAOUTCHOUC M 60/65 86X12,02 | 2 | | | | |
| 16 | L 7172650000 | ACCOUPEMENT K-MT 70TG NW65 | 1 | | | | |
| 17 | L 85410550 | JEU DE RACCORDS K70/T65 COMP | 1 | | | | |
| 18 | L 85686050 | COLLIER | 4 | | | | |
| 1 | L 85678100 | HOSE CLAMP 50/66 | 4 | | | | |
| 2 | M7051500000 | COUPLING MALE 50 | 1 | | | | |
| 3 | M4230670506 | RUBBER GASKET MT50 67X50X6.0 | 1 | | | | |
| 4 | M5381060400 | BRACE D 1481 6.0X40 | 1 | | | | |
| 5 | M5381035400 | BRACE D 1481 3.5X40 | 1 | | | | |
| 6 | M7050900001 | LEVER LR8 FOR M-PIECE 50 | 1 | | | | |
| 7 | M7050900002 | PULLING RING FOR M-PIECE NW 50 AND 60 | 1 | | | | |
| 8 | M7050500000 | COUPLING FEMALE 50 | 1 | | | | |
| 9 | L 85406050 | COUPLING SET 50 CPL | 1 | | | | |
| 10 | L 7171600000 | COUPLING K-VT 70 NW 60 | 1 | | | | |
| 11 | L 7172600000 | COUPLING K-MT 70 TG NW 60 | 1 | | | | |
| 12 | L 85682050 | HOSE CLAMP 60/76 | 4 | | | | |
| 13 | L 85410350 | COUPLING SET K70T-60-COMPL | 1 | | | | |
| 14 | L 7171650000 | COUPLING K-VT 70 NW 65 | 1 | | | | |
| 15 | M4221200860 | RUBBER GASKET M 60/65 86X12.0 | 2 | | | | |
| 16 | L 7172650000 | COUPLING K-MT 70TG NW65 | 1 | | | | |
| 17 | L 85410550 | COUPLING SET K70T-65-COMPL | 1 | | | | |
| 18 | L 85686050 | HOSE CLAMP 65/82 | 4 | | | | |

